



SEASTAR POWER ASSIST AUTOPILOT

APPLICATIONS

Converts manual hydraulic steering for dramatic reduction in steering wheel torque and at the same time provides a pump for an autopilot installation.

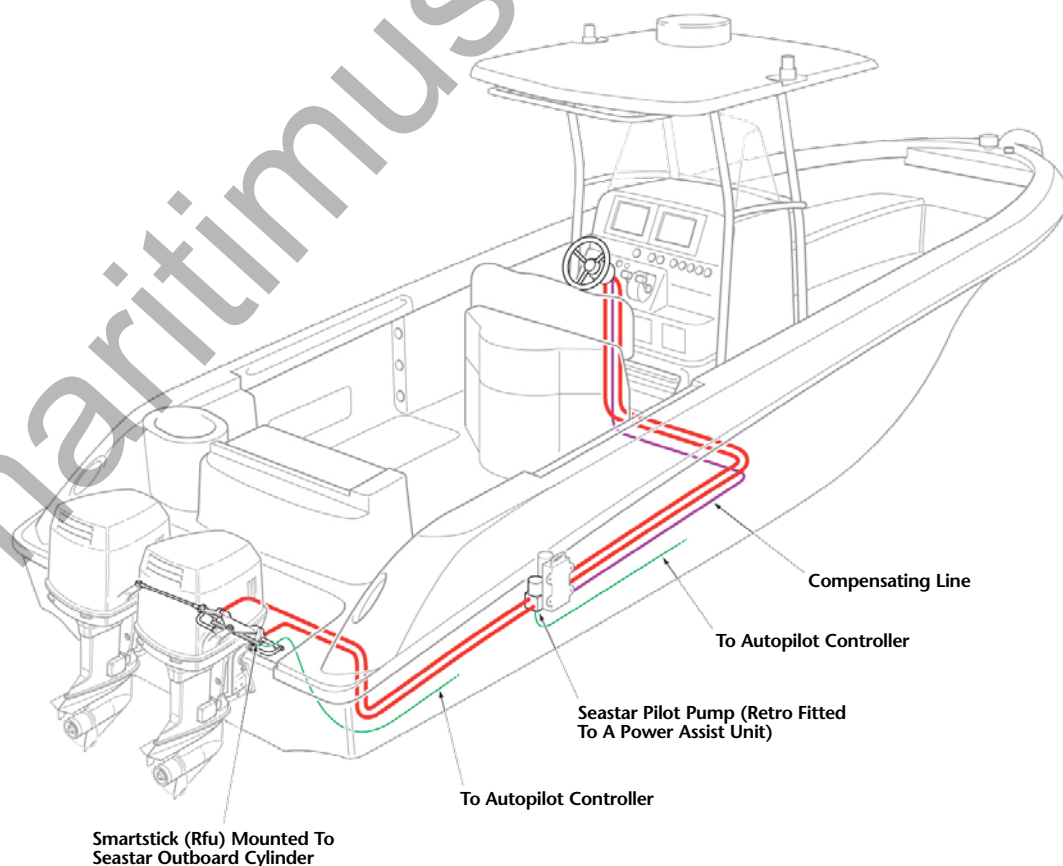
FEATURES

- Autopilot ready - a single installation (i.e. no need to break into system for install of pump)
- Converts manual hydraulic steering to power steering
- Dramatic reduction in steering wheel torque
- Easy installation
- OEM or Retrofit
- Simple add on to an existing SeaStar manual system
- (from 1.4-2.4 SeaStar helm pumps)
- Compatible with power purge system
- Ignition protected (SAE J-1171)
- ABYC, CE, NMMA, ISO 10592 Approved
- Replaces other 12 & 24 volt systems



The SeaStar Power Assist Autopilot pump is the standard power assist product with the addition of a Type 1 or Type 2 autopilot pump. The SeaStar Autopilot pump is a fixed flow, reversible pump set that uses an internal hydraulic gear pump, producing very little vibration or noise.

It is offered in 12 and 24 volt configurations, as well as two different pump sizes (type 1 & type 2).



Issue Date - Nov 2013

Issue Number - pas3



SEASTAR POWER ASSIST AUTOPILOT

SPECIFICATIONS

Voltage	12 or 24 volts
Fittings	Compatible w/ Standard SeaStar Hoses (HO51xx etc)
WIRE DETAILS	
Length	24"
Gauge	12 awg
Connector	None - Bare Leads
Oil Compatibility	SeaStar Steering Fluid (MIL 5606)
Weight	4.9 lbs (2.2 kg)
Autopilot Pump Sizes	Type 1: 60 in ³ /min (no-load) Type 2: 100 in ³ /min (no-load)
Maximum Pressure	1000 psi
Typical Current Draw	12V Type 1: 4 – 8 amps
(Depending on Application)	12V Type 2: 5 – 11 amps 24V Type 1: 2 – 4 amps 24V Type 2: 3 – 6 amps
AUTOPILOT PUMP CYLINDER CAPACITY	
Type 1	4.9 in ³ - 12.5 in ³
Type 2	12.5 in ³ - 21 in ³

ORDER INFORMATION

ORDER INFORMATION	PART No.
(SeaStar PA unit complete with Pilot Pump fitted)	
Standard SPA + type 1 12V pump	PA6010
Standard SPA + type 2 12V pump	PA6020
Standard SPA + type 1 24V pump	PA7010
Standard SPA + type 2 24V pump	PA7020

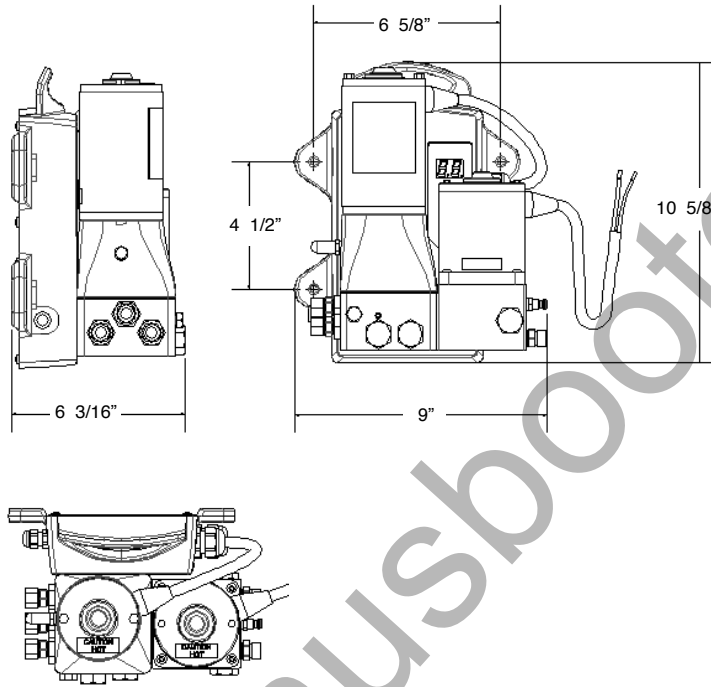
Issue Date - Nov 2013

Issue Number - pas3



NS A
S GENUINE SEA
R SOLUT
INE SE
OLUTIONS
INE SEASTAR
OLUTIONS
UCTS GE
INE SEAS
E SEASTAR
R SOLUTI
R SOLUTI
INE SEAS
R SOLUT

TECHNICAL DATA



Issue Date - Nov 2013

Issue Number - pas3

NS A
GENUINE SEA
SOLUT
INE SE
OLUTIONS
INE SEASTAR
OLUTIONS
UCTS GE
INE SEAS
E SEASTAR
R SOLUTI
R GENUINE
INE SEAST
R SOLUT