

Spare Parts Catalog
ZF 7600

www.maritimusbote.de



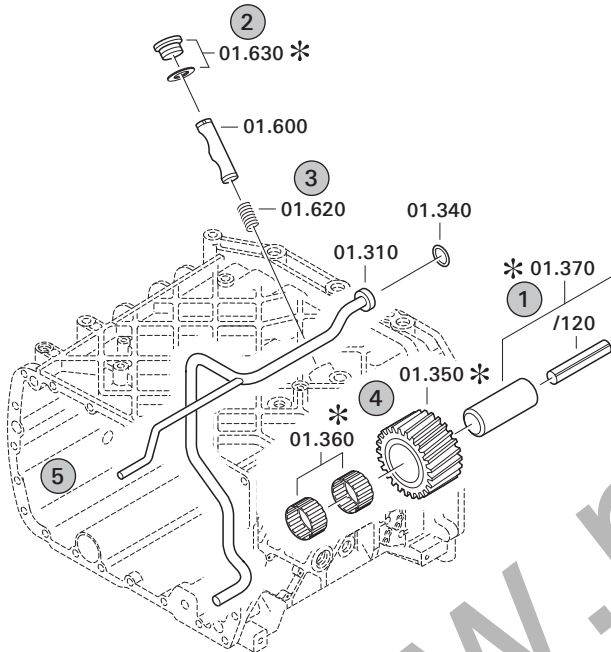
Notes relating to the spare parts catalog



Setup of the spare parts catalog

- Cover sheet
- Technical Cover (only in SDM print)
- Overview of figures
- Figure
- Associated parts list
- Next figure
- Associated parts list
- ...

Figure and parts list



Overview of figures

Bildtafel Figure	Sachnummer Product number	Benennung (Description)	Technische Info Technical info	Description (Benennung)	Menge Quantity	Einheit Unit
068.08.17	1316.170.001	AUSLEGER	WL	SHIFT TURRET	1	Stk
068.08.06	1316.170.031	DECKEL	WL*H-H *VM	COVER	1	Stk
068.08.14	1316.170.808	DECKEL	WL*AUSL+GEH*H-H*HF160N	COVER	1	Stk
08	1316.170.441	ANSCHLUSSTEILE	WL*NG-VORB*RG-SCHL*168N *BAJONETT	CONNECTING PARTS	1	Stk

The "gap" indicates that there is no separate graphics panel (poster) for this assembly
The parts of this assembly are shown with the same mid-section number on the figure

1 Positions and subpositions

Pos.	Sachnummer Product number	Benennung (Description)	Technische Info Technical info	Description (Benennung)	Menge Quantity	Einheit Unit
0370	1315.201.054	RUECKLAUFBOLZEN	KPL.16S151*SG*L= 79	REV.IDLER SHAFT	1	Stk
/0120	0631.329.293	SPANNSTIFT		SLOT. PIN	1	Stk

Positions marked with "/" are the individual items of a completion
For example: Position 0370 contains a centering pin with the position /0120

2 Combinations with standardized parts

Pos.	Sachnummer Product number	Benennung (Description)	Technische Info Technical info	Description (Benennung)	Menge Quantity	Einheit Unit
0630		VERSCHL.SCHR.		SCREW PLUG	1	Stk
	0636.302.067	VERSCHL.SCHR.		SCREW PLUG	1	Stk
	0634.801.249	DICHTRING	A 26 X 31	SEALING RING	1	Stk

The parts list shows the components included in the combination of standardized parts

3 Depiction of position/item number on the figure and in the parts list

01.620 - on the figure 01 relates to the assembly in which the position is included. Due to program-related reasons, it is shown on the figure.

0620 - in the parts list

Pos.	Sachnummer Product number	Benennung (Description)	Technische Info Technical info	Description (Benennung)	Menge Quantity	Einheit Unit
0620	0732.040.736	DRUCKFEDER		COMPRESSION SPRING	1	Stk

4 *-Positions

Positions marked with an * are optional i.e. inclusion in the parts list is not mandatory.
The following note is shown on the figure

je nach Stücklistenausführung
depending on spec. number
*
suivant la nomenclature
secondo la distinta base

5 Parts, dotted display

Parts with dotted display on the figure are only used for orientation of other parts

Technical Cover

Page 1 from 2

Material number: 3084.067.038



ZF 7600 / www.maritimusboote.de

Pos.	Information	Amendment number
001	Use case -----	
002	Customer www.maritimusboote.de Pty. Ltd.	
003	City Blacktown	
004	DUNS 75-092-9846	
005	Product description -----	
006	NECESSARY ACCEPTANCE BY WITHOUT GROOVE	
007	DIRECTION OF ROTATION ENGINE LEFT HAND	
008	SIGHT ON ENGINE KRAFTABGABESEITE	
010	COLOR BRIGHT IVORY-COLOURED	
011	COLOUR CLASS RAL1015	
013	CODING OUTER CONSERVATION KA2	
014	CODING INNER CONSERVATION KI3	
015	CONSERVATION SPECIFICATION ZFN 916	
016	SCOPE OUTER CONSERVATION T	
017	OIL GRADE PERMISSIBLE ACC. TO TE-ML04	
018	DESIGN PUMP A1	
019	CLEANNES SCALE NUMBER 1 18	
020	CLEANNES SCALE NUMBER 2 15	
021	CLEANNES SPECIFICATION ZFN5015	
024	SSD DESIGN TRAILING PUMP	
026	SSS PROP.FL DIAMETER EXTERNAL mm	
027	SSD PROPELLER FLANGE NO. OF SCREWS 1	
028	SSS PROP.FL LENGTH THREADED SCREW 1 mm	
029	SSD PROPELLER FLANGE DM THREAD SCREW 1	
030	SSD PROPELLER FLG THREAD PITCH SCREW 1 mm	
031	SSS DESIGN SUSPENSION RIGID WITH	
033	SSS DESIGN ACTUATION ELECTRICAL	
034	SSS DESIGN 1 MONITORING 2PI1*5PA9*12TT5*21PT6*41TI1	
039	CLUTCH PRESSURE 18.5 bar	
040	OIL CAPACITY, GEARBOX 75 dm3	
042	POWER TORQUE FACTOR M MAX. 1.236 kW	
043	TOTAL RATIO 2.565	
044	POWER/RPM FACTOR C MAX. 1.026 kW	

Technical Cover

Page 2 from 2

Material number: 3084.067.038



ZF 7600 / www.maritimusboote.de

Pos.	Information	Amendment number
045	POWER TORQUE FACTOR L MAX. 1.34 kW	
046	POWER TORQUE FACTOR P MAX. 1.372 kW	
047	SSS VOLTAGE ACTUATION 24 V	
048	SSD DESIGN ENG CONNECT. INFEED	
088	Documents -----	
092	BETAETIGUNG Drawing 3084.680.239	
093	Drawing 3084.680.483	
096	MONIT.LAYOUT Drawing 3084.700.533	
097	MARINE GEAR Drawing 3084.600.105	
099	SCHIFFSGETRIEBE Drawing 3084.000.012	
100	MARINE GEAR Drawing 3084.000.061	
101	SCHIFFSGETRIEBE Drawing 3084.000.028	
102	SCHIFFSGETRIEBE Drawing 3084.000.004	
103	CONTROL UNIT Drawing 3085.108.020	

Assembly group overview

Page 1 from 1

Material number: 3084.067.038



ZF 7600 / www.maritimusboote.de

Picture	Pos.	Material number	Name	Quantity	Amend. no.	Techn. Info.
086.01.22-1	110	3084.101.089	TRANSMISSION HOUSING	1		
086.01.40-1	116	3084.101.401	PLATE	1		
086.02.28-1	150	3084.102.263	INPUT SHAFT	1		
086.02.94-1	154	3084.102.866	INPUT SHAFT	1		
086.02.28-1	160	3084.102.516	INPUT SHAFT	1		
086.03.14-1	190	3084.103.145	INTERMEDIATE SHAFT	1		
086.03.81-1	194	3084.103.837	INTERMEDIATE SHAFT	1		
086.03.14-1	200	3084.103.506	INTERMEDIATE SHAFT	1		
086.04.01-1	230	3084.104.113	OUTPUT SHAFT	1		
086.04.80-1	234	3084.104.888	OUTPUT SHAFT	1		
086.04.01-1	240	3084.104.526	OUTPUT SHAFT	1		
086.04.48-1	250	3084.104.469	OUTPUT SHAFT	1		
086.06.24-1	310	3084.106.011	PUMP	1		
086.06.77-1	320	3084.106.445	PUMP	1		
086.06.74-1	328	3084.106.407	PUMP	1		
086.07.44-1	350	3084.107.131	PIPING	1		
086.07.88-1	354	3084.107.556	PIPING	1		
086.07.59-1	360	3084.107.419	PIPING	1		
086.07.131-1	364	3084.107.403	PIPING	1		
086.07.134-1	366	3084.107.440	PIPING	1		
086.08.03-1	32	3084.108.802	CONTROL UNIT	1		
086.08.03-1	110	3085.108.048	CONTROL UNIT	1		
086.08.03-1	150	3084.108.408	CLOSING COMPONENTS	1		
086.08.03-1	398	3084.108.805	CONTROL UNIT	1		
087.09.09-1	38	3083.109.403	ACTUATION	1		
086.09.03-1	170	3084.109.009	ACTUATION	1		
087.09.08-1	440	3083.109.404	CLOSING COMPONENTS	1		
	560	3084.116.080	ENGINE CONNECTION	1		
086.18.07-1	590	3084.118.023	SUSPENSION	1		
086.38.20-1	482	3084.138.052	MONITORING	1		

Picture

Page 1 from 3

Material number: 3084.067.038

Picture: 086.01.22-1

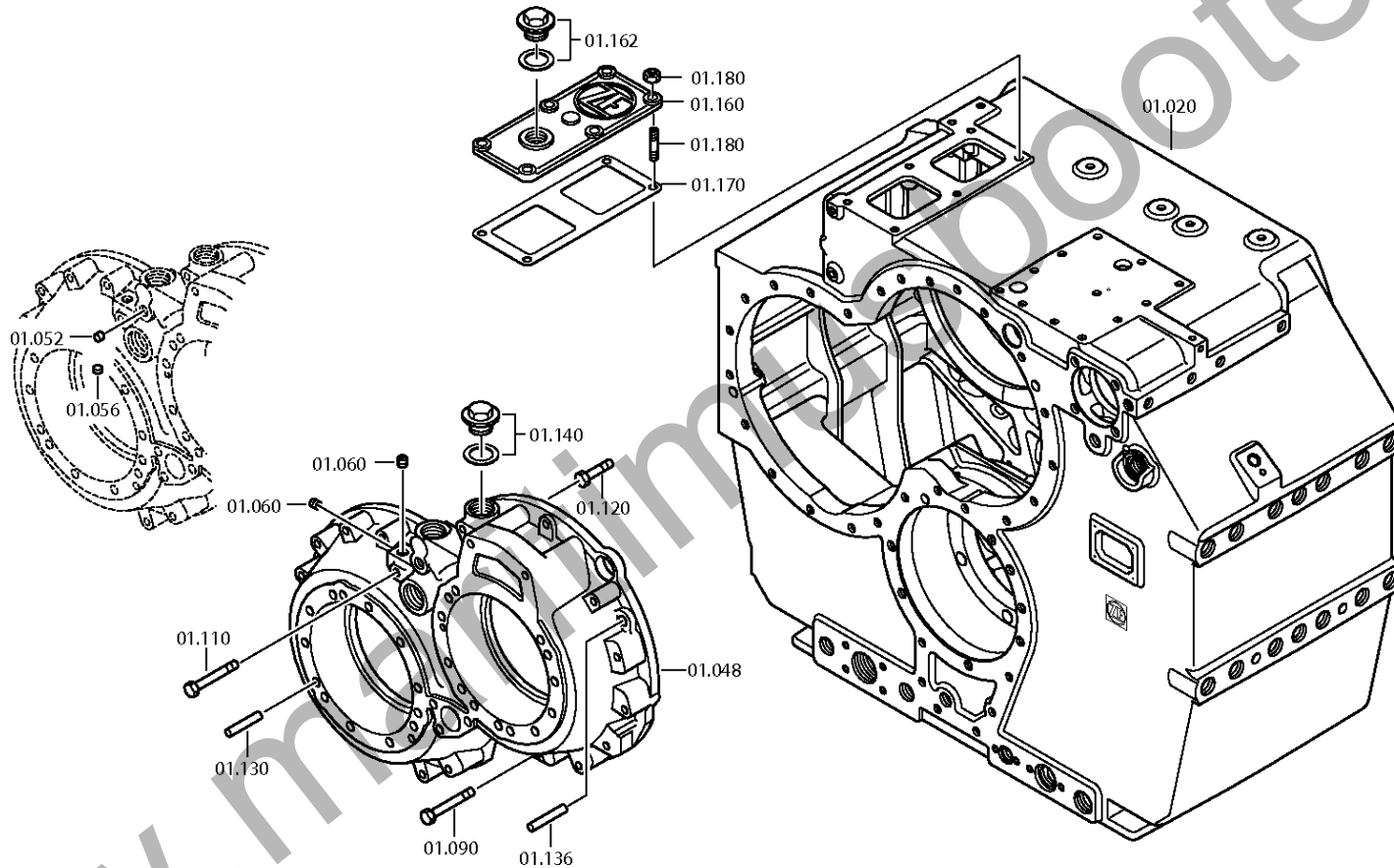
TRANSMISSION HOUSING



ZF 7600 /

www.maritimusboote.de

TRANSMISSION HOUSING



Picture

Page 2 from 3

Material number: 3084.067.038

Picture: 086.01.22-2

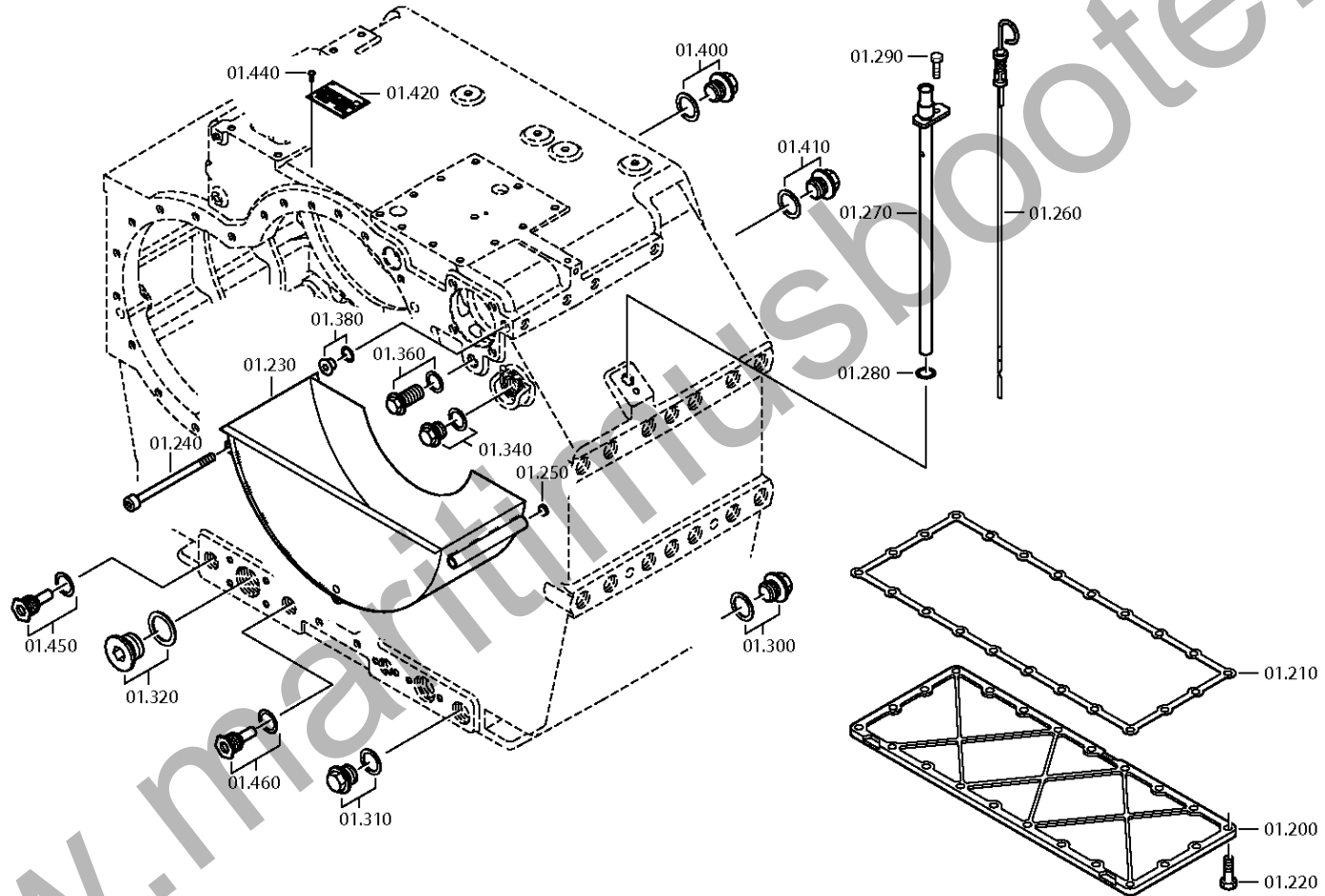
TRANSMISSION HOUSING



ZF 7600 /

www.maritimusboote.de

TRANSMISSION HOUSING



Picture

Page 3 from 3

Material number: 3084.067.038

Picture: 086.01.40-1

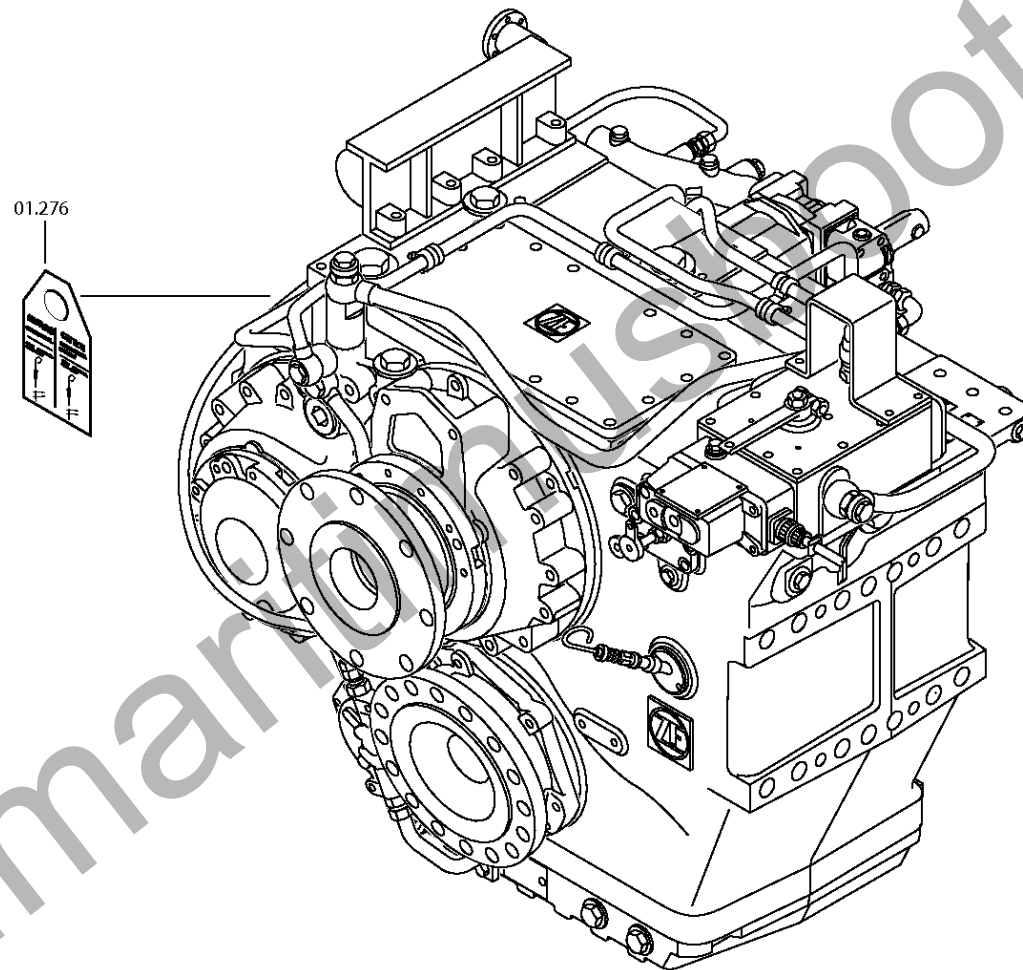
TRANSMISSION HOUSING



ZF 7600 /

www.maritusboote.de

TRANSMISSION HOUSING



Parts list

Page 1 from 2

Material number: 3084.067.038

Picture: 086.01.22-1

Material-assembly-group-no: 3084.101.089



ZF 7600 / www.maritimusboote.de

	Pos.	Material number	Customer material	Name	Quantity	ME	Amend. no.	Techn. Info.	Rep kit	Alternative material
	20	3084.201.095		HOUSING	1			KPL.ZF7650		
	22	0634.801.015		SEALING RING	2			10X14		
	22	---		SCREW PLUG			Z00010111614	25N.M*DICHTRING M10X1		0634.801.015
	---	0636.100.793		SCREW PLUG	1		Z00010111619	M10X1		
	---	0634.801.015		SEALING RING	1		Z00010111619	10X14		
	48	3084.201.050		COVER	1			KPL.		
	52	3081.302.249		ORIFICE	1			10,1X8*D=2,0		
	56	3081.302.251		ORIFICE	1			10,1X8*D=3,0		
	60	---		SLOTTED PLUG	2			M16X1,5		
	---	0631.402.003		SLOTTED PLUG	1			M16X1,5		
	90	---		HEXAGON SCREW	18		Z00007291212	M10X75		
	---	0636.011.760		HEXAGON SCREW	1		Z00007291217	M10X75		
	---	0630.100.294		WASHER	1		Z00007158112			
	110	---		HEXAGON SCREW	3		Z00007291410	M10X110		
	---	0636.100.356		HEXAGON SCREW	1		Z00007291416	M10X110		
	---	0630.100.294		WASHER	1		Z00007158114			
	116	3084.101.401		PLATE	1			OEL-HINWEIS-ANHAENGER		
	120	---		HEXAGON SCREW	1		Z00007292612	M10X55		
	---	0636.100.417		HEXAGON SCREW	1		Z00007292610	M10X55		
	---	0630.100.294		WASHER	1		Z00007158113			
	130	0631.315.577		CYLINDRICAL PIN	1		C01005897F10	16X70		
	136	0631.315.577		CYLINDRICAL PIN	1		C01005897F10	16X70		
	140	0634.801.215		SEALING RING	1			42X49		
	140	---		SCREW PLUG				130N.M*DICHTRING M42X1,5		0634.801.215
	---	0636.304.011		SCREW PLUG	1			M42X1,5		
	---	0634.801.215		SEALING RING	1			42X49		
	160	3082.301.098		COVER	1					
	170	3082.301.165		GASKET	1			SCHAULOCHDECKEL		
	180	---		BOLT+NUT	6		Z00007716311	M10X35		
	---	0636.100.241		STUD	1		Z00007716313	M10X35		
	---	0637.006.281		HEXAGON NUT	1		Z00007282618	M10		
	200	3084.301.001		COVER	1					
	210	3084.301.039		GASKET	1			ENTHALT.IN 3084 301 040(1)		
	220	---		HEXAGON SCREW	22		Z00007056514	M10X35		

Parts list

Page 2 from 2

Material number: 3084.067.038

Picture: 086.01.22-1

Material-assembly-group-no: 3084.101.089



ZF 7600 / www.maritimusboote.de

	Pos.	Material number	Customer material	Name	Quantity	ME	Amend. no.	Techn. Info.	Rep kit	Alternative material
	---	0636.015.682		HEXAGON SCREW	1		Z00007056519	M10X35		
	---	0630.100.294		WASHER	1		Z00007158112			
	230	3084.201.103		OIL TRAY	1			KPL.ZF7650		
	240	0636.102.794		CAP SCREW	3			M10X160		
	250	---		SEALING CAP	3					
	---	0630.100.030		SEALING CAP	1		Z00007166212			
	260	3085.201.115		OIL DIPSTICK	1			L=655		
	270	3084.201.091		OIL LEVEL TUBE	1			ZF 7550 NR2B A=600		
	280	0634.316.191		O-RING	1			15X3		
	290	0636.100.796		HEXAGON SCREW	1		Z00007891116	M8X20		
	310	0634.801.250		SEALING RING	1			38X44		
	310	---		SCREW PLUG			Z00010172511	140N.M*DICHTRING M38X1,5		0634.801.250
	---	0636.100.305		SCREW PLUG	1		Z00010172515	M38X1,5		
	---	0634.801.250		SEALING RING	1		Z00010172515	38X44		
	320	0634.801.275		SEALING RING	1			52X60		
	320	---		SCREW PLUG				150N.M*DICHTRING M52X1,5		0634.801.275
	---	0636.100.480		SCREW PLUG	1		Z00010164610	M52X1,5		
	---	0634.801.275		SEALING RING	1			52X60		
	340	0634.801.088		SEALING RING	1			26X32		
	340	---		SCREW PLUG				70N.M*DICHTRING M26X1,5 PM		0634.801.088
	---	0636.304.078		SCREW PLUG	1			M26X1,5		
	---	0634.801.088		SEALING RING	1			26X32		
	400	0634.801.250		SEALING RING	1			38X44		
	400	---		SCREW PLUG			Z00010163912	140N.M*DICHTRING M38X1,5		0634.801.250
	---	0636.100.820		SCREW PLUG	1		Z00010163911	M38X1,5		
	---	0634.801.250		SEALING RING	1		Z00010163911	38X44		
	410	0634.801.250		SEALING RING	1			38X44		
	410	---		SCREW PLUG			Z00010163912	140N.M*DICHTRING M38X1,5		0634.801.250
	---	0636.100.820		SCREW PLUG	1		Z00010163911	M38X1,5		
	---	0634.801.250		SEALING RING	1		Z00010163911	38X44		
	420	0730.365.799		TYPE PLATE	1			ZF MARINE GROSS		
	440	0631.100.078		GROOVED STUD	4		Z00007160815	3X5		

Picture

Page 1 from 2

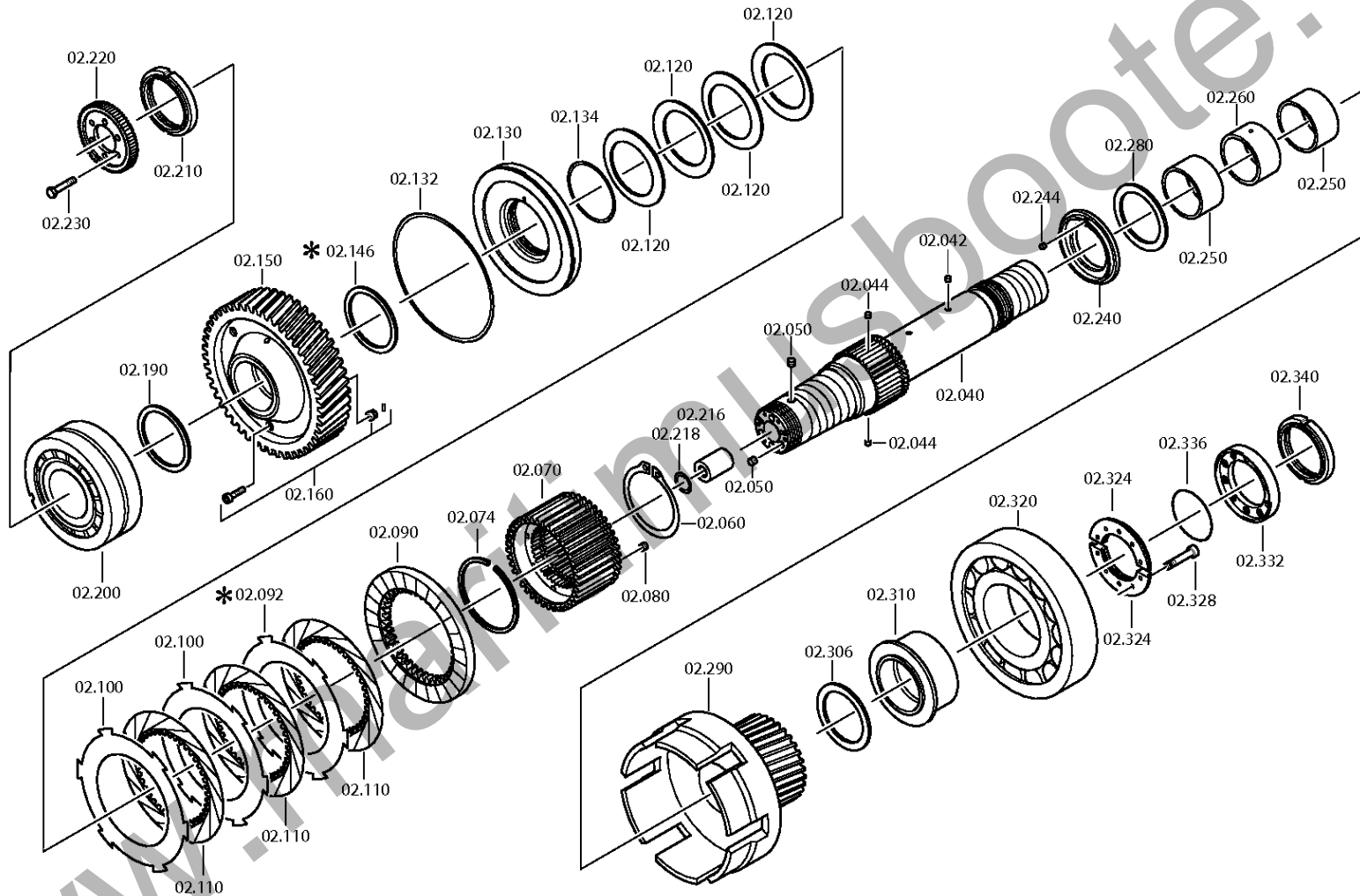
Material number: 3084.067.038

Picture: 086.02.28-1

INPUT SHAFT



ZF 7600 /
www.maritimusboote.de
INPUT SHAFT



Picture

Page 2 from 2

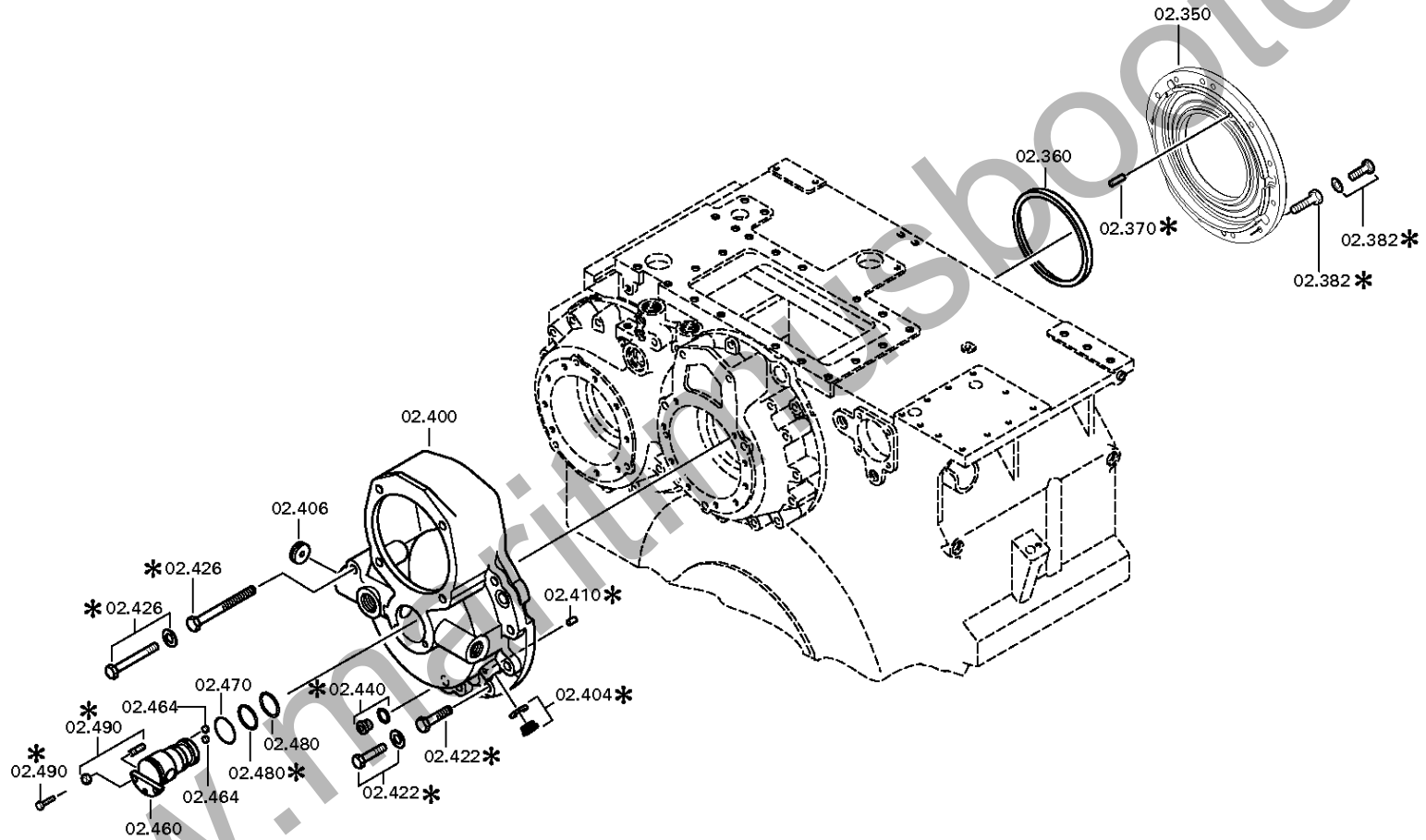
Material number: 3084.067.038

Picture: 086.02.94-1

INPUT SHAFT



ZF 7600 /
www.maritimusboote.de
INPUT SHAFT



Parts list

Page 1 from 3

Material number: 3084.067.038

Picture: 086.02.28-1

Material-assembly-group-no: 3084.102.263



ZF 7600 / www.maritimusboote.de

	Pos.	Material number	Customer material	Name	Quantity	ME	Amend. no.	Techn. Info.	Rep kit	Alternative material
🛒	40	3084.302.090		INPUT SHAFT	1					
🛒	42	0631.328.567		SLOTTED PIN	1			3X8		
🛒	44	3081.302.251		ORIFICE	2			10,1X8*D=3,0		
	50	---		ADJUSTING SCREW	6			M14X1,5		
🛒	---	6606.313.010		ADJUSTING SCREW	1			M14X1,5		
🛒	60	0630.501.062		RETAINING RING	1			130X4		
🛒	70	3084.302.213		DISC CARRIER	1			ZF 7600		
🛒	74	0630.513.219		SNAP RING	1					
🛒	80	0630.100.029		SEALING CAP	8		Z00007166016			
🛒	90	0501.217.808		END DISC	1			BELAGLAMELLE*ZF7550/7650* MS221 Ø290		
	100	---		OUTER CLUTCH DISK	1			H= 4,00- 4,25(ABSTUFUNG:0,25MM) *7+3		
🛒	---	3084.302.274		OUTER CLUTCH DISK	7					
🛒	---	3084.302.275		OUTER CLUTCH DISK	3					
🛒	110	0501.217.807		INNER CLUTCH DISK	10			ZF7550/7650*MS 448*LT.C		
🛒	120	0732.000.128		CUP SPRING	4					
🛒	130	3084.302.006		PISTON	1			ENTHALT.IN 3084 302 117(1)		
🛒	132	0634.305.074		RECTANGULAR RING	1			270X280X2,2		
🛒	134	0734.317.055		RECTANGULAR RING	1					
🛒	150	3084.202.066		HELICAL GEAR	1					
	160	---		BOLT+NUT	3			M10		
🛒	---	0736.101.132		SCREW	1			M10X40		
🛒	---	3083.302.067		NUT	1			M10 IN 3083 302 068(3)		
🛒	---	0631.328.503		SLOTTED PIN	1			4X15		
	190	---		WASHER	1			H= 2,00- 3,00(ABSTUFUNG:0,10MM)		
🛒	---	0730.006.090		WASHER	1			A=2,20 IN 0730 006 089(2)		
🛒	---	0730.006.091		WASHER	1			A=2,30 IN 0730 006 089(2)		
🛒	---	0730.006.092		WASHER	1			A=2,40 IN 0730 006 089(2)		
🛒	---	0730.006.093		WASHER	1			A=2,50 IN 0730 006 089(2)		
🛒	---	0730.006.094		WASHER	1			A=2,60 IN 0730 006 089(2)		
🛒	---	0730.006.095		WASHER	1			A=2,70 IN 0730 006 089(2)		
🛒	---	0730.006.096		WASHER	1			A=2,80 IN 0730 006 089(2)		
🛒	---	0730.006.097		WASHER	1			A=2,90 IN 0730 006 089(2)		

Parts list

Page 2 from 3

Material number: 3084.067.038

Picture: 086.02.28-1

Material-assembly-group-no: 3084.102.263



ZF 7600 / www.maritimusboote.de

	Pos.	Material number	Customer material	Name	Quantity	ME	Amend. no.	Techn. Info.	Rep kit	Alternative material
	---	0730.004.168		WASHER	1			A=3,00 IN 0730 006 089(2)		
	200	0635.900.390		SPHERICALLY SEATED BEARING	1					
	210	0737.502.084		SLOTTED NUT	1			M100 X 1,5		
	216	3084.202.025		VALVE	1			KPL.		
	218	0630.502.024		RETAINING RING	1			45X1,75		
	220	3084.306.152		INPUT GEAR	1			I=0.864*Z=66*P+A*		
	230	0636.010.388		HEXAGON SCREW	6			M8X45		
	240	3084.302.078		SUPPORTING RING	1					
	244	0635.470.022		CYLINDER ROLLER	1			9X9		
	250	0501.327.440		BEARING BUSH	2					
	260	3084.302.091		BUSH	1			ENTHALT.IN 3084 302 081(2)		
	280	0501.320.676		THRUST WASHER	1			ZF7600/ZFW63000 4X114X146		
	290	3084.202.078		PINION	1			KPL.Z23		
	306	0501.320.676		THRUST WASHER	1			ZF7600/ZFW63000 4X114X146		
	310	3084.302.151		BUSH	1					
	320	0750.118.443		CYLINDER ROLLER BEARING	1			140,0X300,0X62,0		
	324	3084.302.152		SPLIT RING	2					
	328	0636.100.603		CAP SCREW	10		Z00007399915	M8X60		
	332	3084.302.220		ANGLE RING	1			ZF 7600 FAM.		
	336	0634.304.432		O-RING	1			96X2		
	340	0737.502.084		SLOTTED NUT	1			M100 X 1,5		
	350	3084.302.218		COVER	1					
	360	---		SHAFT SEAL	1			155X180X10		
	---	0734.319.661		SHAFT SEAL	1			155,0X180,0X15,0		
	370	0731.201.777		PIN	1			10X20B		
	382	---		HEXAGON SCREW	11			M10X40		
	---	0636.015.683		HEXAGON SCREW	1		Z00007056612	M10X40		
	---	0630.100.277		WASHER	1		Z00007164616			
	400	3084.302.283		COVER	1			PUMPENDECKEL*A1*AL		
	404	0634.801.063		SEALING RING	1			18X24		
	404	---		SCREW PLUG			Z00010111515	35N.M*DICHTRING M18X1,5		0634.801.063
	---	0636.100.791		SCREW PLUG	1		Z00010111521	M18X1,5		

Parts list

Page 3 from 3

Material number: 3084.067.038

Picture: 086.02.28-1

Material-assembly-group-no: 3084.102.263



ZF 7600 / www.maritimusboote.de

	Pos.	Material number	Customer material	Name	Quantity	ME	Amend. no.	Techn. Info.	Rep kit	Alternative material
🛒	---	0634.801.063		SEALING RING	1		Z00010111521	18X24		
🛒	406	0731.359.043		PLUG	1					
🛒	410	0731.201.439		PIN	1			8M6X28 IN 0731 201 585(3)		
	422	---		HEXAGON SCREW	8		Z00007059412	M10X45		
🛒	---	0636.100.414		HEXAGON SCREW	1		Z00007059416	M10X45		
🛒	---	0630.100.294		WASHER	1		Z00007158114			
	426	---		HEXAGON SCREW	1		Z00008456811	M10X105		
🛒	---	0636.100.712		HEXAGON SCREW	1		Z00008456814	M10X105		
🛒	---	0630.100.294		WASHER	1		Z00007158114			
	460	3084.302.251		OIL FEEDER	1					
🛒	464	6605.313.010		ADJUSTING SCREW	2			M12X1,5		
🛒	470	0634.306.258		O-RING	1			46X3		
🛒	480	0634.402.098		R-RING	2			45X2,5		
	490	---		BOLT+NUT	2		Z00007407110	M8X20		
🛒	---	0636.100.274		STUD	1		Z00007407114	M8X20		
🛒	---	0637.006.280		HEXAGON NUT	1		Z00007282712	M8		

Picture

Page 1 from 2

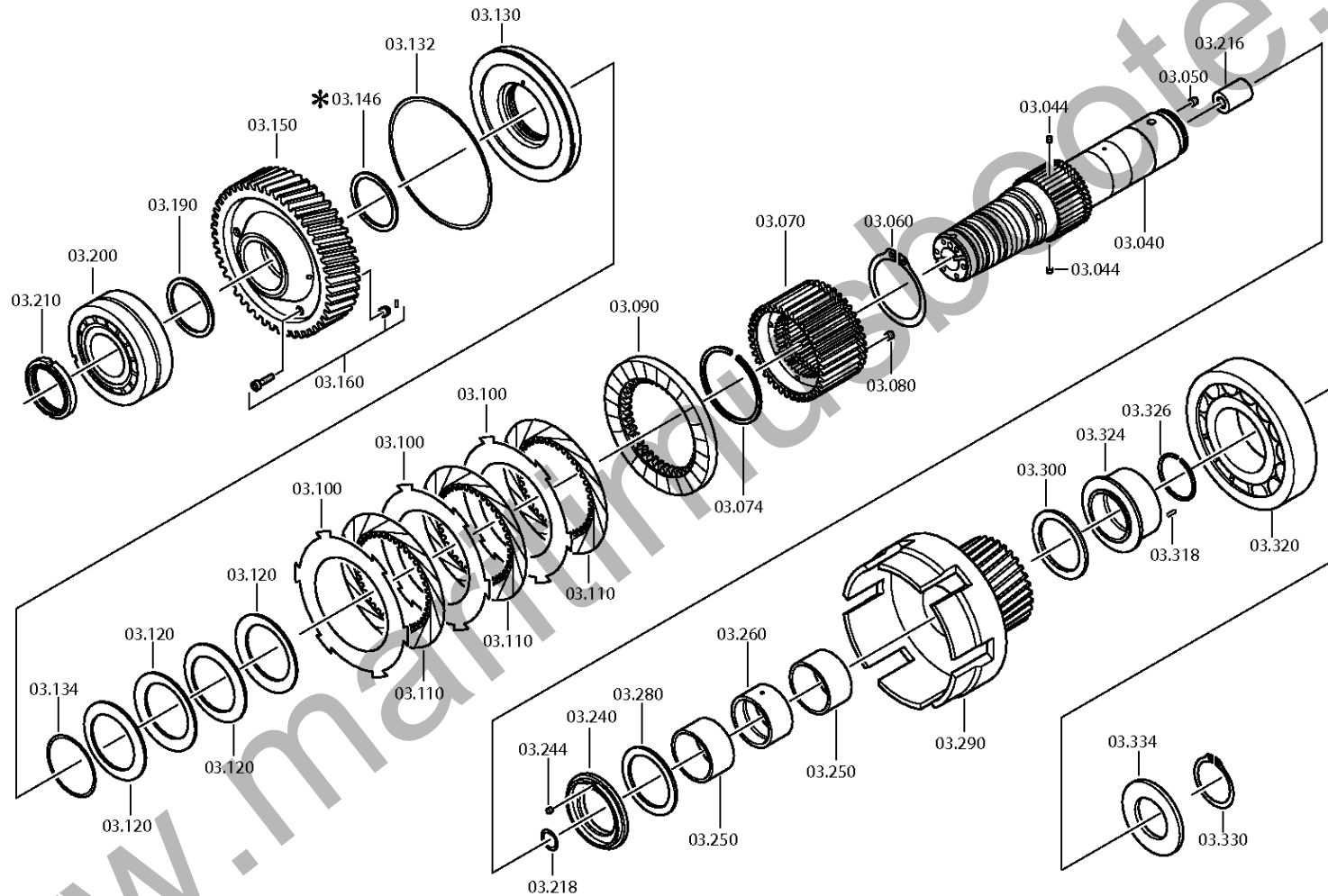
Material number: 3084.067.038

Picture: 086.03.14-1

INTERMEDIATE SHAFT



ZF 7600 /
www.maritimusboote.de
INTERMEDIATE SHAFT



Picture

Page 2 from 2

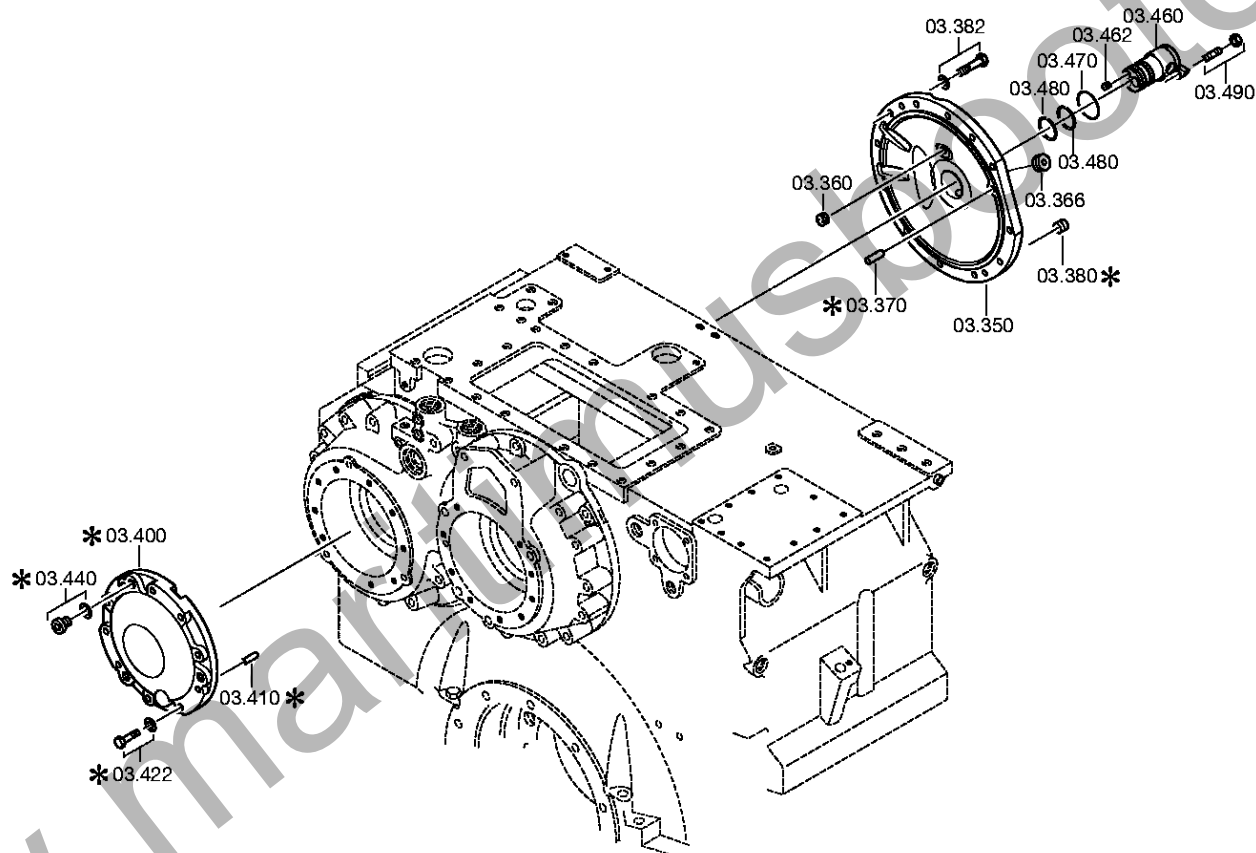
Material number: 3084.067.038

Picture: 086.03.81-1

INTERMEDIATE SHAFT



ZF 7600 /
www.maritimusboote.de
INTERMEDIATE SHAFT



Parts list

Page 1 from 3

Material number: 3084.067.038

Picture: 086.03.14-1

Material-assembly-group-no: 3084.103.145



ZF 7600 / www.maritimusboote.de

	Pos.	Material number	Customer material	Name	Quantity	ME	Amend. no.	Techn. Info.	Rep kit	Alternative material
	40	3084.303.026		INTERMEDIATE SHAFT	1					
	44	3081.302.251		ORIFICE	2			10,1X8*D=3,0		
	50	---		ADJUSTING SCREW	6			M14X1,5		
	---	6606.313.010		ADJUSTING SCREW	1			M14X1,5		
	60	0630.501.062		RETAINING RING	1			130X4		
	70	3084.302.213		DISC CARRIER	1			ZF 7600		
	74	0630.513.219		SNAP RING	1					
	80	0630.100.029		SEALING CAP	8		Z00007166016			
	90	0501.217.808		END DISC	1			BELAGLAMELLE*ZF7550/7650* MS221 Ø290		
	100	---		OUTER CLUTCH DISK	1			H= 4,00- 4,25(ABSTUFUNG:0,25MM) *7+3		
	---	3084.302.274		OUTER CLUTCH DISK	7					
	---	3084.302.275		OUTER CLUTCH DISK	3					
	110	0501.217.807		INNER CLUTCH DISK	10			ZF7550/7650*MS 448*LT.C		
	120	0732.000.128		CUP SPRING	4					
	130	3084.302.006		PISTON	1			ENTHALT.IN 3084 302 117(1)		
	132	0634.305.074		RECTANGULAR RING	1			270X280X2,2		
	134	0734.317.055		RECTANGULAR RING	1					
	150	3084.203.039		HELICAL GEAR	1			KPL.		
	160	---		BOLT+NUT	3			M10		
	---	0736.101.132		SCREW	1			M10X40		
	---	3083.302.067		NUT	1			M10 IN 3083 302 068(3)		
	---	0631.328.503		SLOTTED PIN	1			4X15		
	190	---		WASHER	1			H= 2,00- 3,00(ABSTUFUNG:0,10MM)		
	---	0730.006.090		WASHER	1			A=2,20 IN 0730 006 089(2)		
	---	0730.006.091		WASHER	1			A=2,30 IN 0730 006 089(2)		
	---	0730.006.092		WASHER	1			A=2,40 IN 0730 006 089(2)		
	---	0730.006.093		WASHER	1			A=2,50 IN 0730 006 089(2)		
	---	0730.006.094		WASHER	1			A=2,60 IN 0730 006 089(2)		
	---	0730.006.095		WASHER	1			A=2,70 IN 0730 006 089(2)		
	---	0730.006.096		WASHER	1			A=2,80 IN 0730 006 089(2)		
	---	0730.006.097		WASHER	1			A=2,90 IN 0730 006 089(2)		
	---	0730.004.168		WASHER	1			A=3,00 IN 0730 006 089(2)		

Parts list

Page 2 from 3

Material number: 3084.067.038

Picture: 086.03.14-1

Material-assembly-group-no: 3084.103.145



ZF 7600 / www.maritimusboote.de

	Pos.	Material number	Customer material	Name	Quantity	ME	Amend. no.	Techn. Info.	Rep kit	Alternative material
🛒	200	0635.900.390		SPHERICALLY SEATED BEARING	1					
🛒	210	0737.502.084		SLOTTED NUT	1			M100 X 1,5		
🛒	216	3084.202.025		VALVE	1			KPL.		
🛒	218	0630.502.024		RETAINING RING	1			45X1,75		
🛒	240	3084.302.078		SUPPORTING RING	1					
🛒	244	0635.470.022		CYLINDER ROLLER	1			9X9		
🛒	250	0501.327.440		BEARING BUSH	2					
🛒	260	3084.302.091		BUSH	1			ENTHALT.IN 3084 302 081(2)		
🛒	280	0501.320.676		THRUST WASHER	1			ZF7600/ZFW63000 4X114X146		
🛒	290	3084.202.078		PINION	1			KPL.Z23		
🛒	300	0501.320.676		THRUST WASHER	1			ZF7600/ZFW63000 4X114X146		
🛒	320	0750.118.443		CYLINDER ROLLER BEARING	1			140,0X300,0X62,0		
🛒	324	3084.302.151		BUSH	1					
🛒	326	0630.513.061		SNAP RING	1					
🛒	330	0630.531.138		RETAINING RING	1			92X3		
	334	---		WASHER	1			H= 8,10- 8,50 92,5X160		
🛒	---	0730.302.550		WASHER	1			8,1X92,5X160		
🛒	---	0730.302.549		WASHER	1			8,2X92,5X160		
🛒	---	0730.302.548		WASHER	1			8,3X92,5X160		
🛒	---	0730.113.571		WASHER	1			A=8,50		
🛒	350	3084.303.100		COVER	1			ZF 7600 FAM.		
	360	---		ORIFICE	1			D=1,80 M14x1,5x7.6		
🛒	---	6047.345.048		ORIFICE	1			D=1,8 IN 6047 345 016(4) M14x1,5x7.6		
🛒	366	0731.359.046		SCREW PLUG	1					
🛒	370	0731.201.777		PIN	1			10X20B		
	382	---		HEXAGON SCREW	12		Z00007056612	M10X40		
🛒	---	0636.015.683		HEXAGON SCREW	1		Z00007056611	M10X40		
🛒	---	0630.100.294		WASHER	1		Z00007158114			
🛒	400	3084.303.028		COVER	1			ENTHALT.IN 3084 303 046(0)		
🛒	410	0731.201.439		PIN	1			8M6X28 IN 0731 201 585(3)		
	422	---		HEXAGON SCREW	10		Z00007059412	M10X45		

Parts list

Page 3 from 3

Material number: 3084.067.038

Picture: 086.03.14-1

Material-assembly-group-no: 3084.103.145



ZF 7600 / www.maritimusboote.de

	Pos.	Material number	Customer material	Name	Quantity	ME	Amend. no.	Techn. Info.	Rep kit	Alternative material
🛒	---	0636.100.414		HEXAGON SCREW	1		Z00007059416	M10X45		
🛒	---	0630.100.294		WASHER	1		Z00007158114			
🛒	460	3084.302.251		OIL FEEDER	1					
🛒	462	6605.313.010		ADJUSTING SCREW	2			M12X1,5		
🛒	470	0634.306.258		O-RING	1			46X3		
🛒	480	0634.402.098		R-RING	2			45X2,5		
	490	---		BOLT+NUT	2		Z00007407110	M8X20		
🛒	---	0636.100.274		STUD	1		Z00007407114	M8X20		
🛒	---	0637.006.280		HEXAGON NUT	1		Z00007282712	M8		

Picture

Page 1 from 3

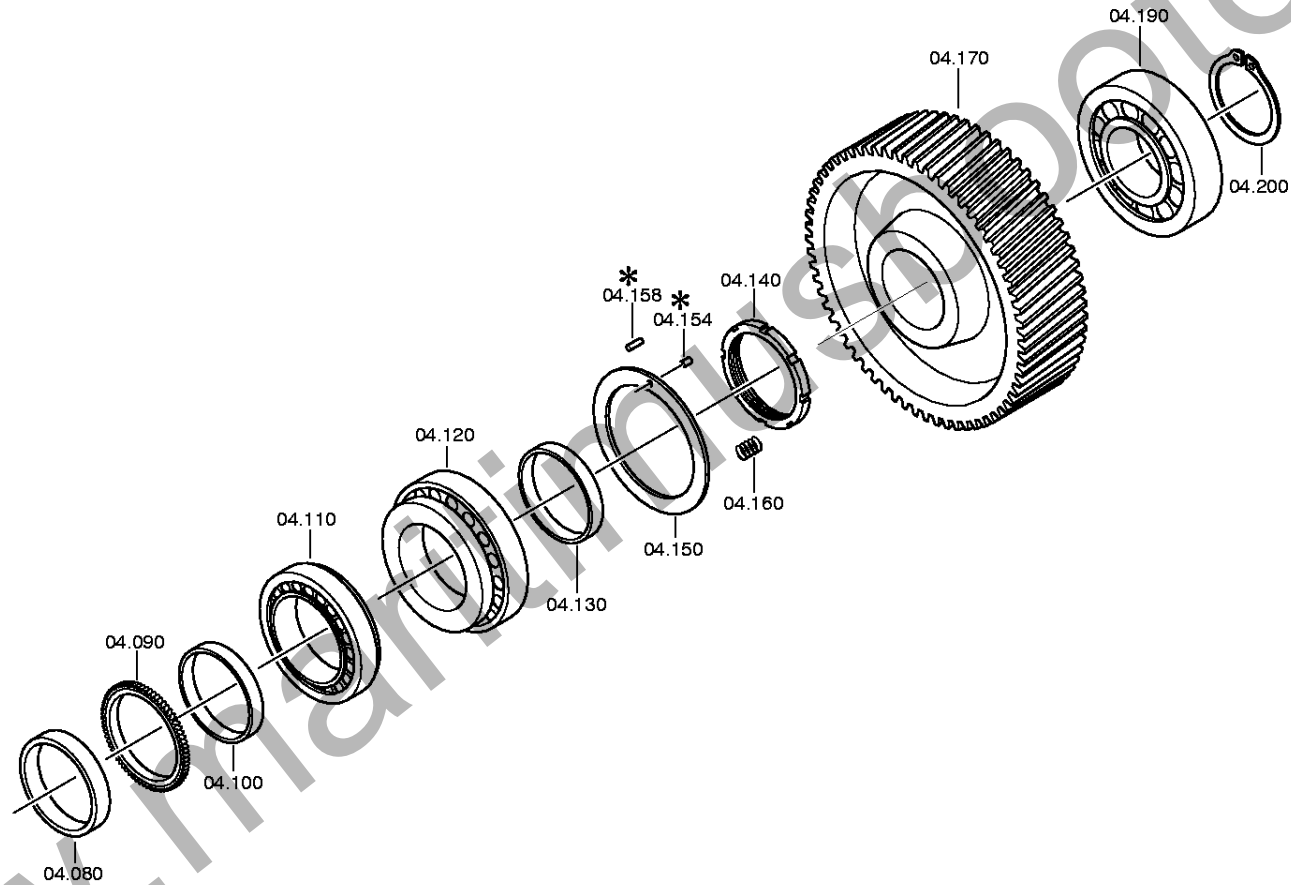
Material number: 3084.067.038

Picture: 086.04.01-1

OUTPUT SHAFT



ZF 7600 /
www.maritimusboote.de
OUTPUT SHAFT



Picture

Page 2 from 3

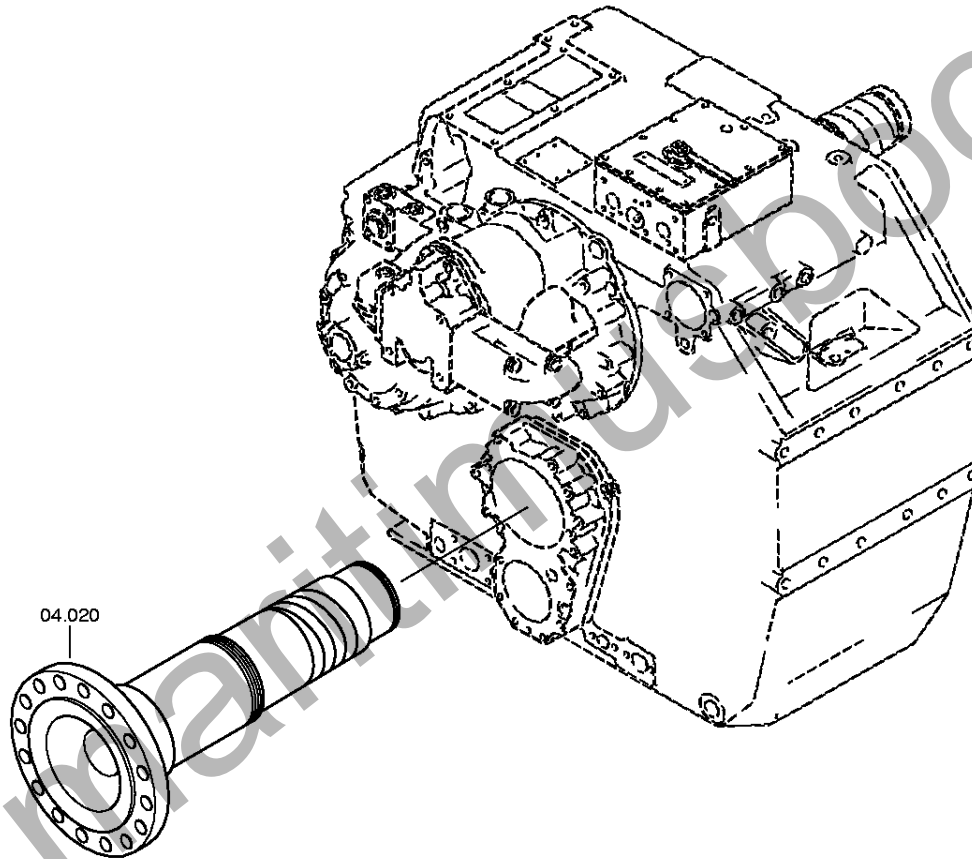
Material number: 3084.067.038

Picture: 086.04.48-1

OUTPUT SHAFT



ZF 7600 /
www.maritimusboote.de
OUTPUT SHAFT



Picture

Page 3 from 3

Material number: 3084.067.038

Picture: 086.04.80-1

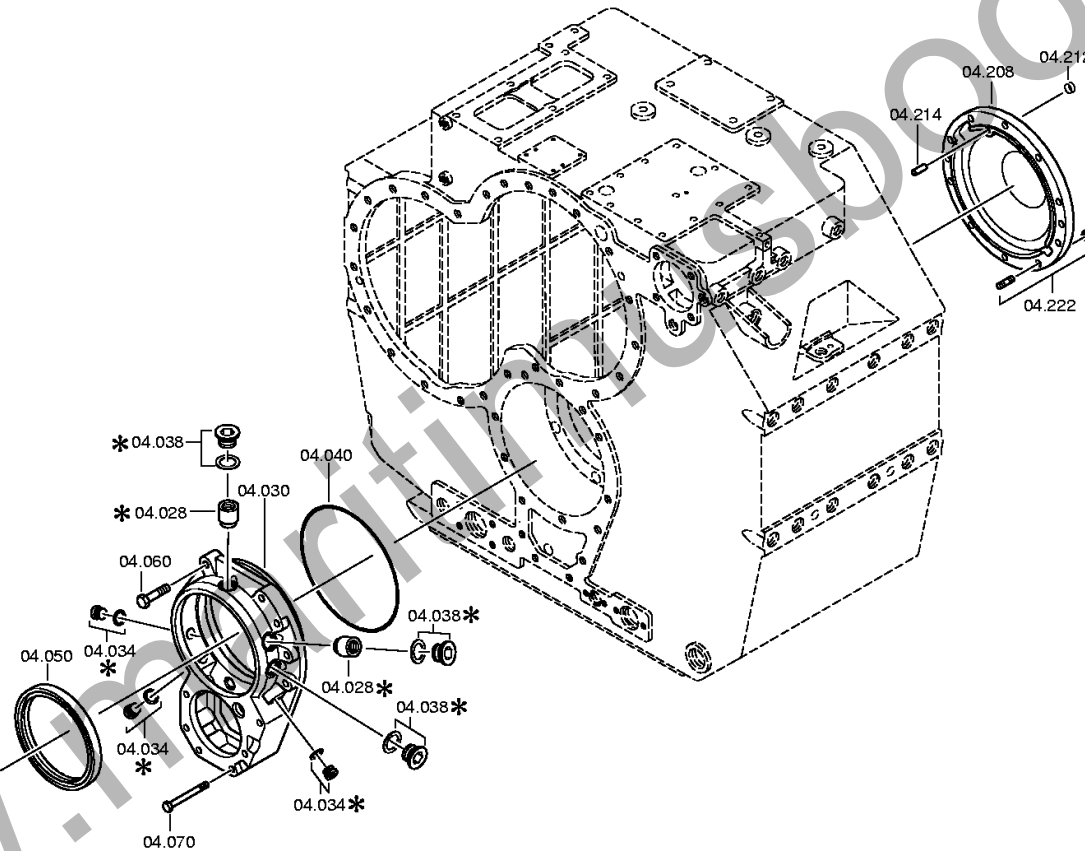
OUTPUT SHAFT



ZF 7600 /
www.maritimusboote.de
OUTPUT SHAFT

Bildtafel:
Figure: 086.04.80
Figure:
Figura:

je nach Stücklistenausführung
depending on spec. number
* suivant la nomenclature
secondo la distinta base



Parts list

Page 1 from 2

Material number: 3084.067.038

Picture: 086.04.01-1

Material-assembly-group-no: 3084.104.113



ZF 7600 / www.maritimusbote.de

	Pos.	Material number	Customer material	Name	Quantity	ME	Amend. no.	Techn. Info.	Rep kit	Alternative material
	20	3084.304.151		OUTPUT SHAFT	1					
	30	3084.304.233		COVER	1			SCHL.PUMPE Z=100		
	34	0634.801.063		SEALING RING	3			18X24		
	34	---		SCREW PLUG				35N.M*DICHTRING M18X1,5		0634.801.063
	---	0636.100.791		SCREW PLUG	1		Z00010111521	M18X1,5		
	---	0634.801.063		SEALING RING	1		Z00010111521	18X24		
	38	0634.801.098		SEALING RING	3			30X36		
	38	---		SCREW PLUG				100N.M*DICHTRING AM30X1,5		0634.801.098
	---	0636.305.023		SCREW PLUG	1			M30X1,5		
	---	0634.801.098		SEALING RING	1			30X36		
	40	0634.313.656		O-RING	1			240X3		
	50	0634.319.156		SHAFT SEAL	1			170X200X15		
	60	0636.016.407		HEXAGON SCREW	8			M12X50		
	70	0636.100.352		HEXAGON SCREW	4			M10X90		
	80	3084.304.002		BUSH	1			ENTHALT.IN 3084 304 018(3)		
	90	3084.306.033		INPUT GEAR	1			ENTHALT.IN 3084 306 032(2)		
	100	0730.161.373		BUSH	1			A=24,20 IN 0730 161 372(3)		
	110	0750.117.564		TAPERED ROLLER BEARING	1			150,000X225,000X48,000		
	120	0635.900.292		AX.SELF-ALIGNING BEARING	1			150X250X60		
	130	0730.161.374		BUSH	1			A=24,20 IN 0730 161 372(3)		
	140	0737.502.140		SLOTTED NUT	1			M150X5		
	150	---		WASHER	1			H=4,95 - 5,400		
	---	0730.113.993		WASHER	1			A=4.95 IN 0730.113.987		
	---	0730.113.988		WASHER	1			A=5,40 IN 0730.113.987		
	---	0730.113.992		WASHER	1			A=5.0 IN 0730.113.987		
	---	0730.113.991		WASHER	1			A=5.10 IN 0730.113.987		
	---	0730.113.990		WASHER	1			A=5.15 IN 0730.113.987		
	---	0730.113.989		WASHER	1			A=5.2 IN 0730.113.987		
	154	0731.300.086		SLOTTED PIN	1			9X19		
	160	0501.304.956		COMPRESSION SPRING	6					
	170	3084.304.261		OUTPUT GEAR	1			Z59		
	190	0750.118.065		CYLINDER ROLLER BEARING	1			NU324-ENMC3		

Parts list

Page 2 from 2

Material number: 3084.067.038

Picture: 086.04.01-1

Material-assembly-group-no: 3084.104.113



ZF 7600 / www.maritimusboote.de

	Pos.	Material number	Customer material	Name	Quantity	ME	Amend. no.	Techn. Info.	Rep kit	Alternative material
🛒	200	0630.501.060		RETAINING RING	1			120X4		
🛒	208	3084.304.038		COVER	1			ENTHALT.IN 3084 304 040(0)		
🛒	212	0630.100.371		SEALING CAP	1					
🛒	214	0731.201.439		PIN	1			8M6X28 IN 0731 201 585(3)		
	222	---		HEXAGON SCREW	10			M10X40		
🛒	---	0636.015.683		HEXAGON SCREW	1		Z00007056611	M10X40		
🛒	---	0630.100.294		WASHER	1		Z00007158114			

Picture

Page 1 from 3

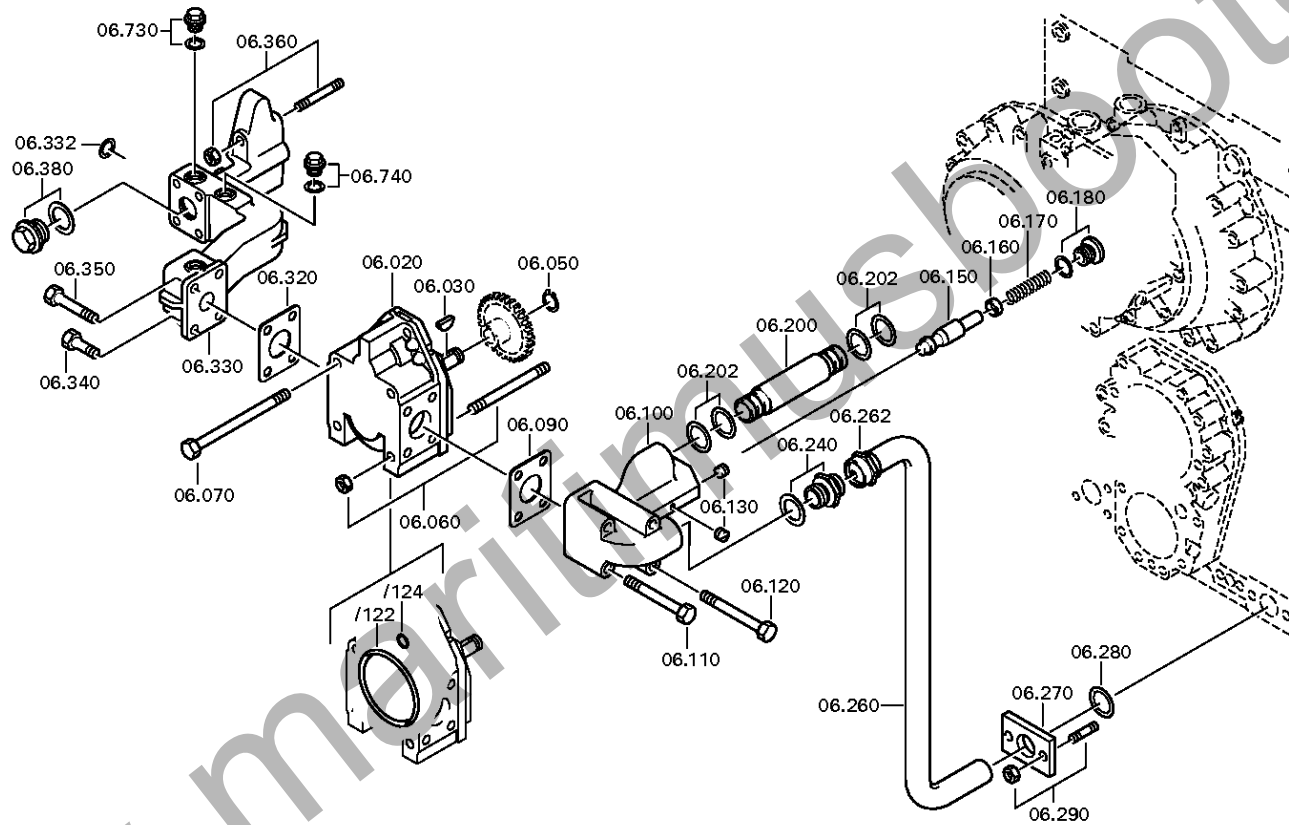
Material number: 3084.067.038

Picture: 086.06.24-1

PUMP



ZF 7600 /
www.maritimusboote.de
PUMP



Picture

Page 2 from 3

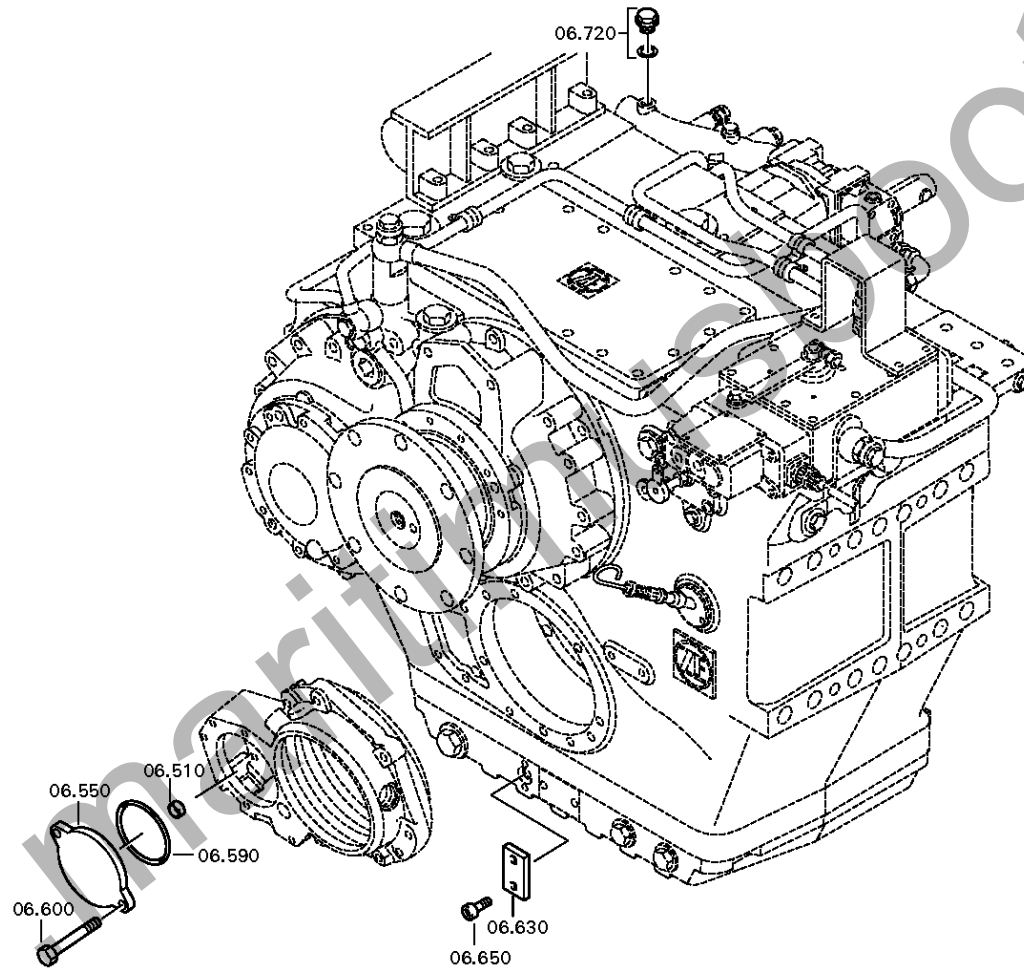
Material number: 3084.067.038

Picture: 086.06.74-1

PUMP



ZF 7600 /
www.maritimusboote.de
PUMP



Picture

Page 3 from 3

Material number: 3084.067.038

Picture: 086.06.77-1

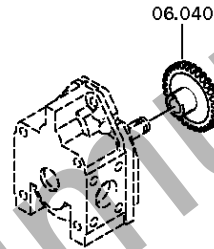
PUMP



ZF 7600 /

www.maritimusboote.de

PUMP



Parts list

Page 1 from 2

Material number: 3084.067.038

Picture: 086.06.24-1

Material-assembly-group-no: 3084.106.011



ZF 7600 / www.maritimusbote.de

	Pos.	Material number	Customer material	Name	Quantity	ME	Amend. no.	Techn. Info.	Rep kit	Alternative material
	20	3084.206.041		PUMP	1		C01004557F10	OHNE PTO-ANSCHLUSS		
	/122	0634.314.441		O-RING	1			144,5X3		
	/124	0634.303.085		O-RING	2			12X3		
	30	0631.501.119		FITTED KEY	1		C01004557F10	8X7X20		
	40	3084.306.154		DRIVE PINION	1			I=0.864*Z=57*		
	50	0630.501.019		RETAINING RING	1			24X1,2		
	60	---		BOLT+NUT	2		C01006639E10	M10X120		
	---	0636.102.875		STUD	1			M10X120		
	---	0637.006.281		HEXAGON NUT	1		Z00007282618	M10		
	70	0636.102.795		HEXAGON SCREW	2			M10X330		
	90	3085.307.087		GASKET	1			ENTHALT.IN 3083 307 112(2)		
	100	3084.307.078		VALVE HOUSING	1					
	110	0636.100.352		HEXAGON SCREW	2		Z00007738611	M10X90		
	120	0636.100.358		HEXAGON SCREW	2		Z00007054011	M10X130		
	130	0631.100.177		SET SCREW	2		Z00014157110	M8X8		
	150	3084.307.287		PISTON	1		C01006376E10			
	160	---		WASHER	1			H= 0,50- 2,00		
	---	0730.101.106		WASHER	1			A=0,50 IN 0730 004 585(4)		
	---	0730.102.511		WASHER	1			A=1,00 IN 0730 004 585(2)		
	---	2302.334.011		WASHER	1			A=2,00		
	170	0732.040.598		COMPRESSION SPRING	1		C01007005A10			
	200	3084.307.001		TUBE	1					
	202	0634.306.234		O-RING	4			32X2,5		
	240	---		SOCKET	1			A35		
	---	0637.839.508		SOCKET	1					
	---	0634.801.250		SEALING RING	1			38X44		
	260	3084.207.006		SUCTION LINE	1			KPL.		
	262	0637.822.503		UNION NUT	1		C01002636C10			
	270	3084.307.017		FLANGE	1					
	280	0634.313.624		O-RING	1			35X5,5		
	290	---		BOLT+NUT	2			M10X22		
	---	0636.100.238		STUD	1		Z00007716710	M10X22		
	---	0637.006.281		HEXAGON NUT	1		Z00007282618	M10		
	320	3085.307.087		GASKET	1			ENTHALT.IN 3083 307 112(2)		

Parts list

Page 2 from 2

Material number: 3084.067.038

Picture: 086.06.24-1

Material-assembly-group-no: 3084.106.011



ZF 7600 / www.maritimusboote.de

	Pos.	Material number	Customer material	Name	Quantity	ME	Amend. no.	Techn. Info.	Rep kit	Alternative material
	330	3084.301.005		SOCKET	1					
	332	---		WASHER	1			H= 0,50- 2,00		
	---	0730.101.106		WASHER	1			A=0,50 IN 0730 004 585(4)		
	---	0730.102.511		WASHER	1			A=1,00 IN 0730 004 585(2)		
	---	2302.334.011		WASHER	1			A=2,00		
	340	0636.100.787		HEXAGON SCREW	2		Z00007891512	M10X30		
	350	0636.100.343		HEXAGON SCREW	2		Z00007052612	M10X65		
	360	---		BOLT+NUT	2		Z00007410911	M10X80		
	---	0636.100.252		STUD	1		Z00007410910	M10X80		
	---	0637.006.281		HEXAGON NUT	1		Z00007282618	M10		
	510	0630.361.041		SEALING CAP	1					
	550	3084.304.005		COVER	1					
	590	0634.313.786		O-RING	1			130X3		
	600	0636.100.712		HEXAGON SCREW	2		Z00008456811	M10X105		
	630	3081.307.039		FLANGE	1					
	650	0636.115.294		CAP SCREW	2		Z00007349710	M10X30		
	720	0634.801.063		SEALING RING	1			18X24		
	720	---		SCREW PLUG			Z00010111515	45N.M*DICHTRING M18X1,5		0634.801.063
	---	0636.100.791		SCREW PLUG	1		Z00010111521	M18X1,5		
	---	0634.801.063		SEALING RING	1		Z00010111521	18X24		

Picture

Page 1 from 6

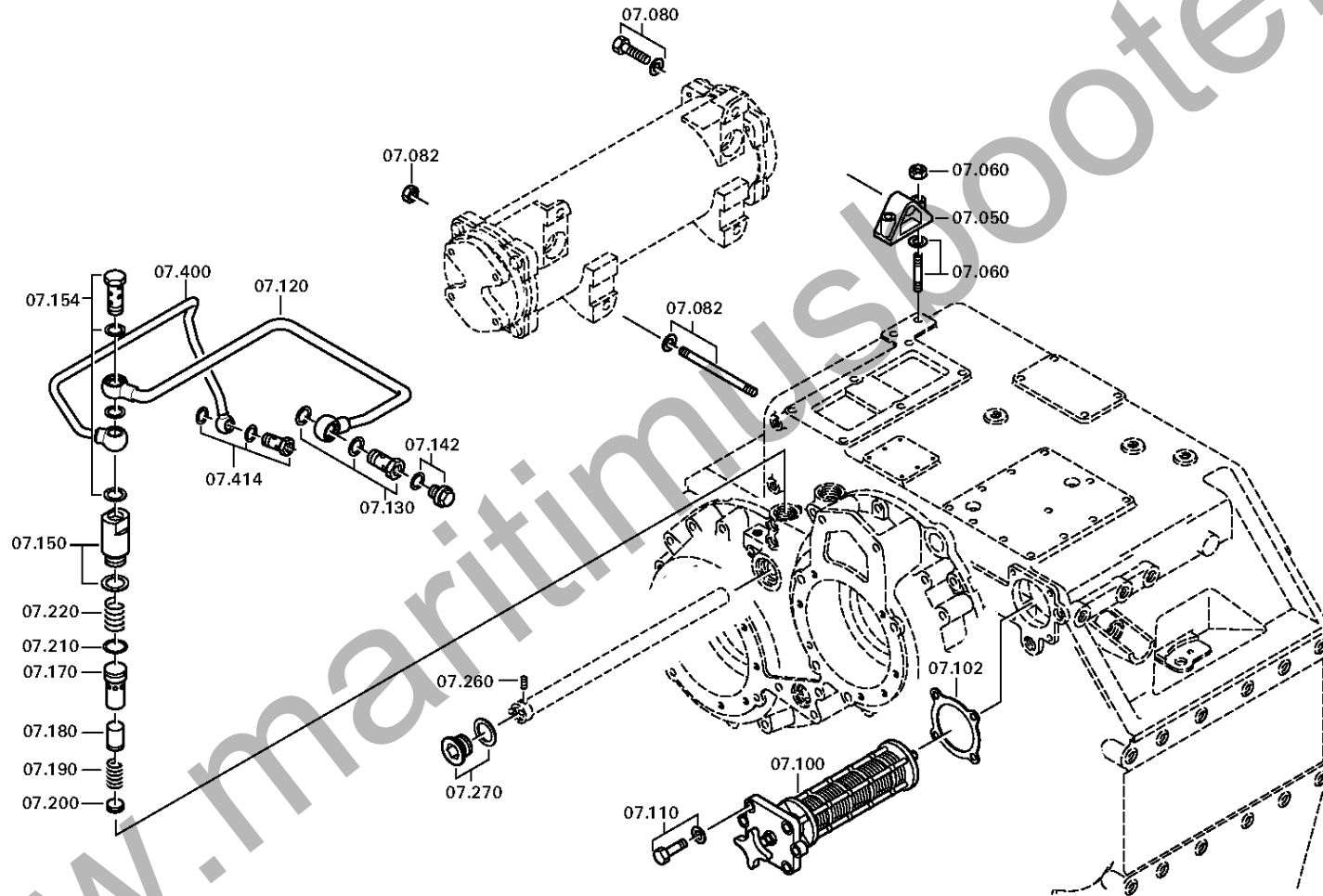
Material number: 3084.067.038

Picture: 086.07.44-1

PIPING



ZF 7600 /
www.maritimusboote.de
PIPING



Picture

Page 2 from 6

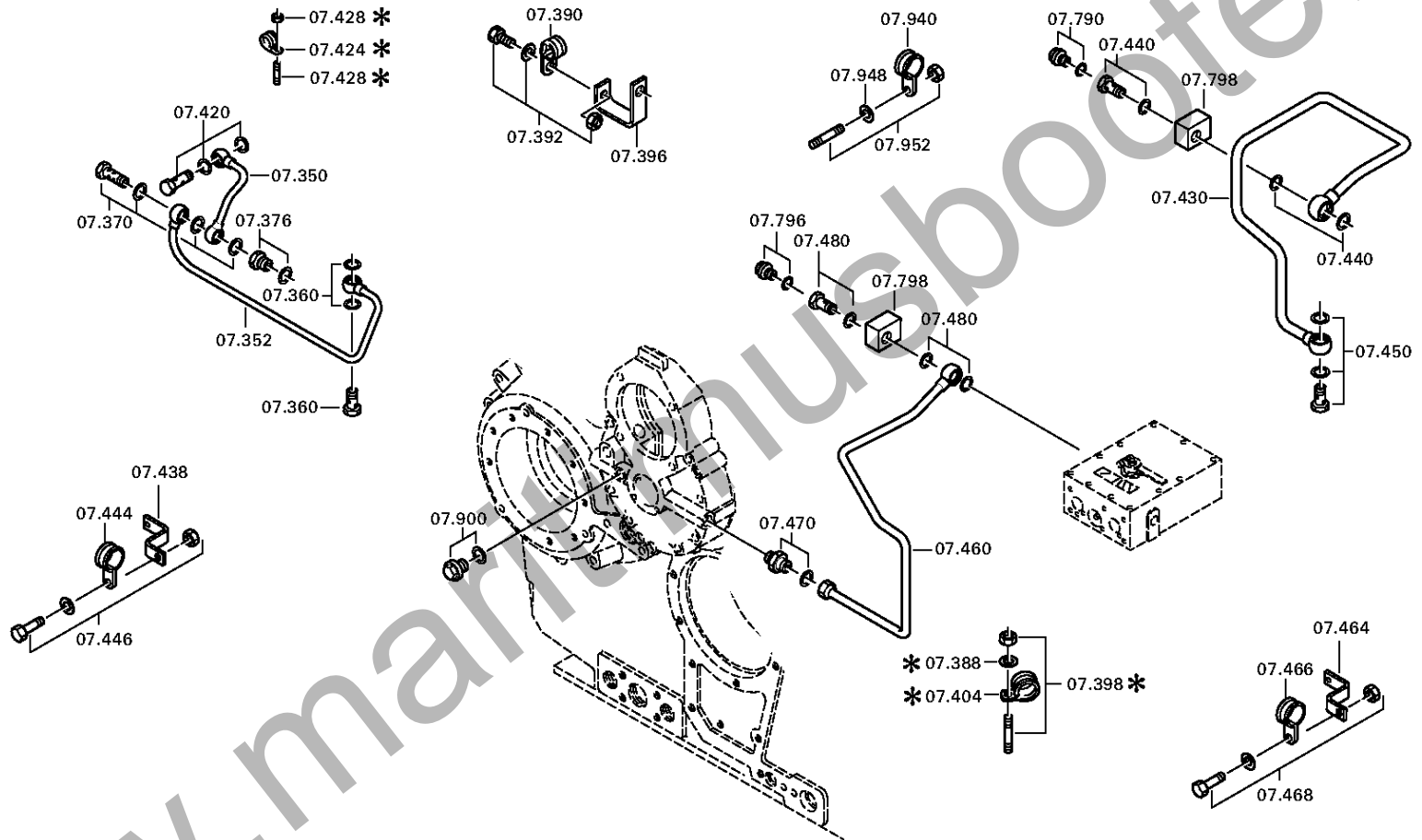
Material number: 3084.067.038

Picture: 086.07.44-2

PIPING



ZF 7600 /
www.maritimusboote.de
PIPING



Picture

Page 3 from 6

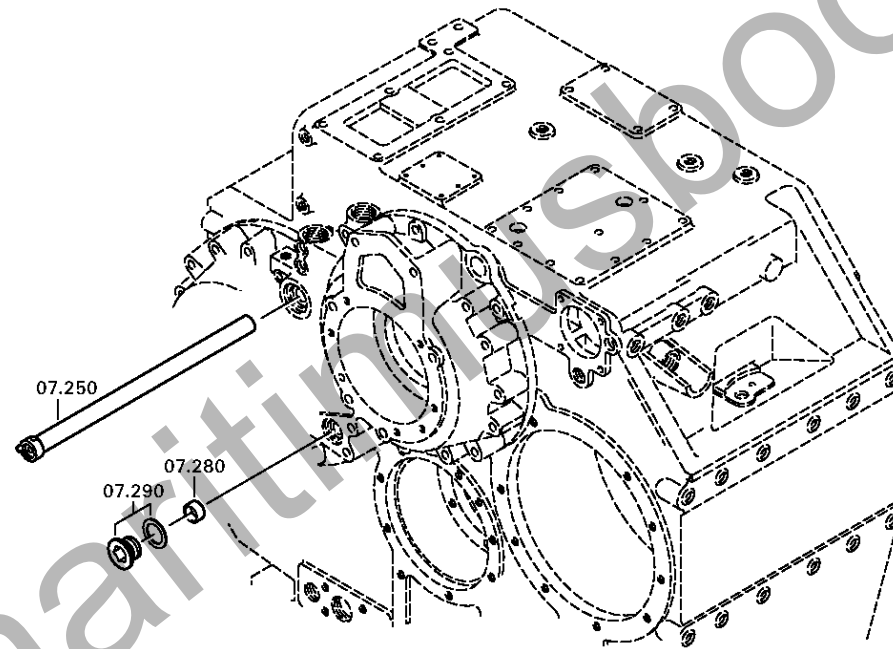
Material number: 3084.067.038

Picture: 086.07.131-1

PIPING



ZF 7600 /
www.maritimusboote.de
PIPING



Picture

Page 4 from 6

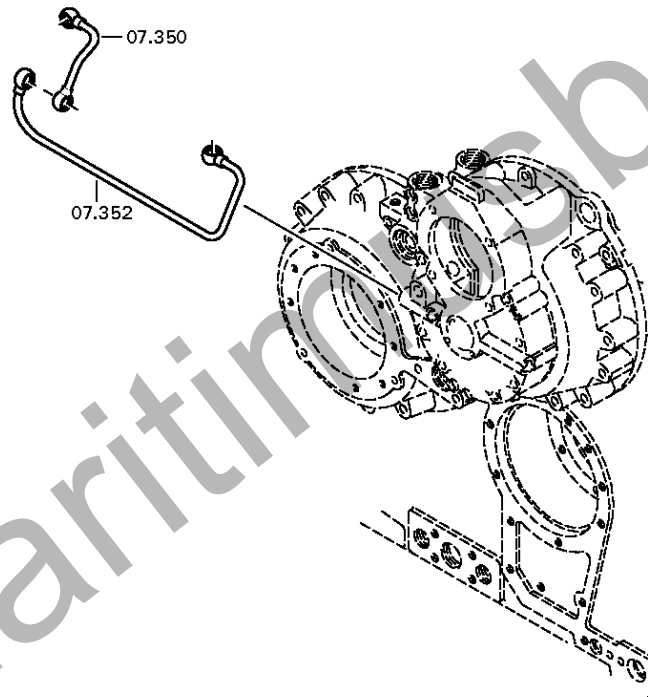
Material number: 3084.067.038

Picture: 086.07.134-1

PIPING



ZF 7600 /
www.maritimusboote.de
PIPING



Picture

Page 5 from 6

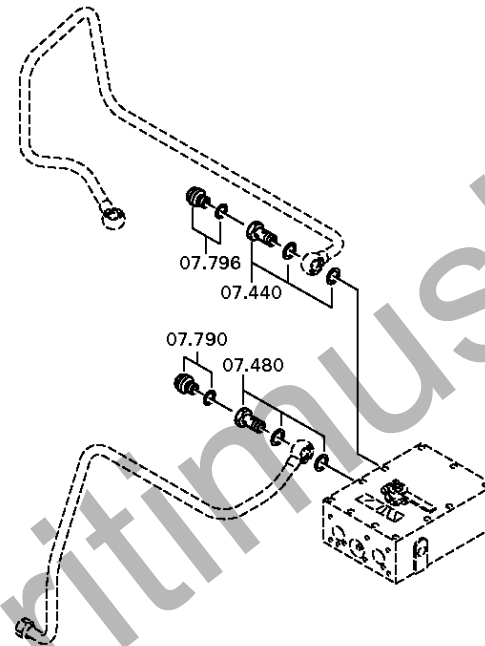
Material number: 3084.067.038

Picture: 086.07.59-1

PIPING



ZF 7600 /
www.maritimusboote.de
PIPING



Picture

Page 6 from 6

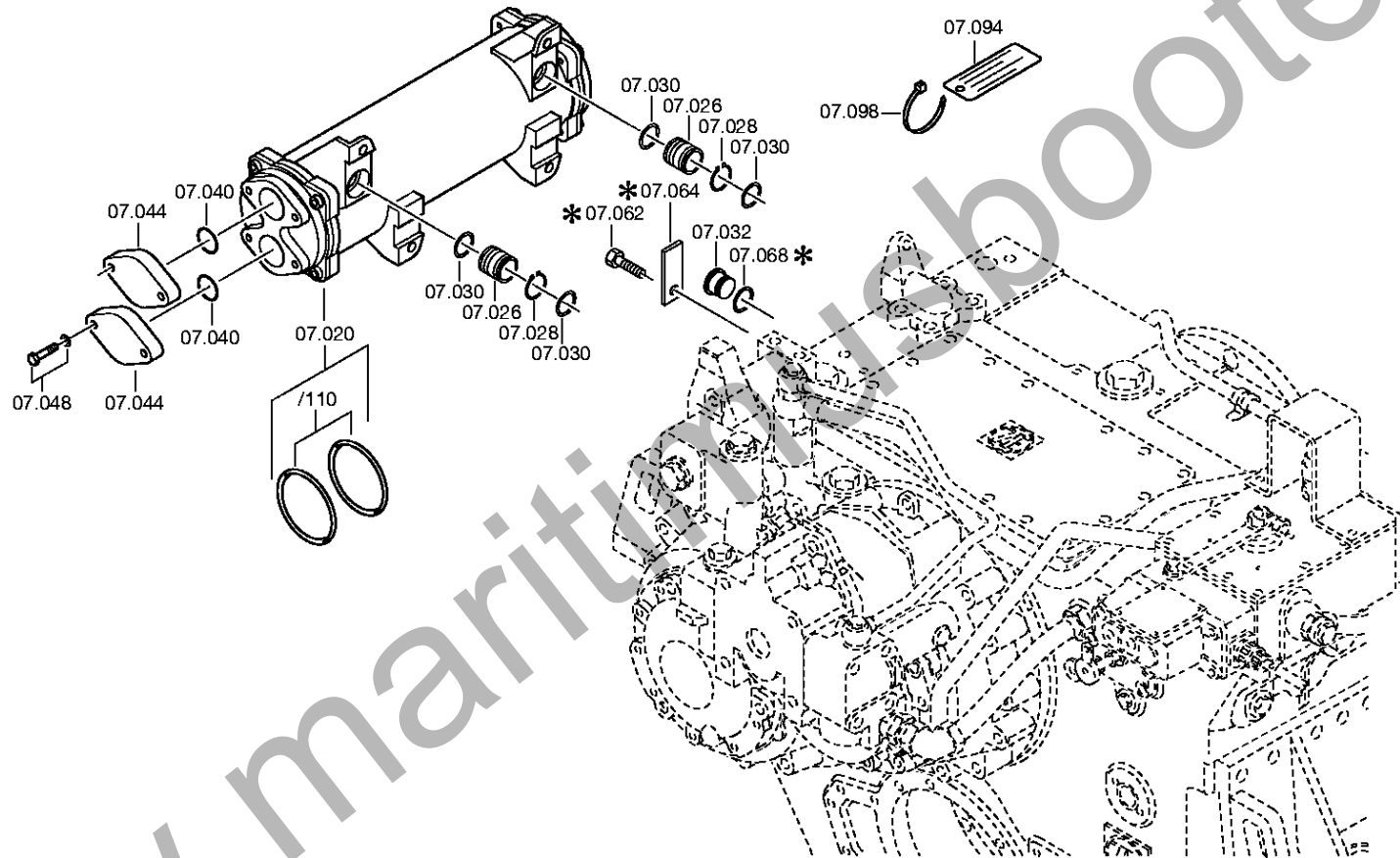
Material number: 3084.067.038

Picture: 086.07.88-1

PIPING



ZF 7600 /
www.maritimusboote.de
PIPING



Parts list

Page 1 from 5

Material number: 3084.067.038

Picture: 086.07.44-1

Material-assembly-group-no: 3084.107.131



ZF 7600 / www.maritimusboote.de

	Pos.	Material number	Customer material	Name	Quantity	ME	Amend. no.	Techn. Info.	Rep kit	Alternative material
	20	0501.215.342		HEAT EXCHANGER	1			GRUNDKUEHLER*ZF7600* ZF24000NR2		
	/20	0634.313.732		O-RING	1			123,42X3,53		
	/22	0634.313.732		O-RING	1			123,42X3,53		
	/24	0634.313.732		O-RING	1			123,42X3,53		
	/26	0634.313.732		O-RING	1			123,42X3,53		
	26	3084.307.142		TUBE	2			FUER MOTA KUEHLER		
	28	0630.501.031		RETAINING RING	2			40X1,75		
	30	0634.313.618		O-RING	4			32X4		
	32	3084.307.143		PLUG	1					
	40	0634.313.136		O-RING	2			50X3		
	44	0501.322.049		FLANGE	2			OHNE GEWINDE		
	48	---		HEXAGON SCREW	4		C01004695F10	M8X35		
	---	0636.100.628		HEXAGON SCREW	1			M8X35		
	---	0630.100.276		WASHER	1		Z00007290410			
	50	3084.301.015		BRACKET	1					
	60	---		BOLT+NUT	2		C01004499F10	M10X45		
	---	0636.100.243		STUD	1		Z00007420410	M10X45		
	---	0630.100.294		WASHER	1		Z00007158114			
	---	0637.006.281		HEXAGON NUT	1		Z00007282618	M10		
	70	---		WASHER	1			H= 0,50- 2,00		
	---	0730.101.106		WASHER	1			A=0,50 IN 0730 004 585(4)		
	---	0730.102.511		WASHER	1			A=1,00 IN 0730 004 585(2)		
	---	2302.334.011		WASHER	1			A=2,00		
	80	---		HEXAGON SCREW	2		Z00007071612	M12X60		
	---	0636.011.778		HEXAGON SCREW	1		Z00007071616	M12X60		
	---	0630.100.284		WASHER	1		Z00007158217			
	82	---		BOLT+NUT	2			M12X55		
	---	0636.604.476		STUD	1			M12X55		
	---	0630.100.284		WASHER	1		Z00007158217			
	---	0637.011.654		HEXAGON NUT	1		Z00007283112	M12		
	94	3085.325.001		PLATE	1			INFO MASSEBAND		
	98	0659.160.023		CABLE CLIP	1			4,8X360		

Parts list

Page 2 from 5

Material number: 3084.067.038

Picture: 086.07.44-1

Material-assembly-group-no: 3084.107.131



ZF 7600 / www.maritimusboote.de

	Pos.	Material number	Customer material	Name	Quantity	ME	Amend. no.	Techn. Info.	Rep kit	Alternative material
	100	0501.204.231		FILTER	1			SPALTFILTER*ZF3600*ZF4600* ZF7600*ZF12000*ZF23560		
	102	3085.307.111		GASKET	1					
	110	---		HEXAGON SCREW	4			M12X35		
	---	0636.015.679		HEXAGON SCREW	1			M12X35		
	---	0630.100.284		WASHER	1		Z00007158217			
	120	3084.207.065		TUBE	1			KPL.		
	130	---		UNION SCREW	1		C01008002E10	SW41 M30X1,5*M18X1,5		
	---	0737.835.244		UNION SCREW	1			M30X1,5 IN 0737 835 242(2)		
	---	0630.050.050		SEALING WASHER	2					
	142	0634.801.063		SEALING RING	1			18X24		
	142	---		SCREW PLUG			Z00010171913	35N.M*DICHTRING M18X1,5		0634.801.063
	---	0636.100.825		SCREW PLUG	1		Z00010171918	M18X1,5		
	---	0634.801.063		SEALING RING	1		Z00010171918	18X24		
	150	---		SCREW NECK	1			130N.M*L=79 M42X1,5		
	---	3084.307.079		SCREW NECK	1			ENTHALT.IN 3084 307 103(2)		
	---	0634.801.215		SEALING RING	1			42X49		
	154	---		UNION SCREW	1					
	---	0737.835.146		UNION SCREW	1			ENTHALT.IN 0737 835 174(2)		
	---	0630.050.050		SEALING WASHER	2					
	170	3083.307.032		BUSH	1					
	180	3083.307.031		PISTON	1					
	190	0632.041.101		COMPRESSION SPRING	1			2,0X20,0X79,0		
	200	0631.402.007		SLOTTED PLUG	1			M30X1,5		
	210	0630.505.530		SNAP RING	1					
	220	0732.040.158		COMPRESSION SPRING	1					
	250	3084.207.002		SPRAY TUBE	1			KPL. IN 3084 207 001(1)		
	260	---		SET SCREW	1			M8X18		
	---	0631.602.015		SET SCREW	1			M8X18		
	270	0634.801.215		SEALING RING	1			42X49		
	270	---		SCREW PLUG				120N.M*DICHTRING M42X1,5		0634.801.215
	---	0636.302.012		SCREW PLUG	1			M42X1,5		
	---	0634.801.215		SEALING RING	1			42X49		
	280	0630.100.219		SEALING CAP	1		Z00007160212			

Parts list

Page 3 from 5

Material number: 3084.067.038

Picture: 086.07.44-1

Material-assembly-group-no: 3084.107.131



ZF 7600 / www.maritimusboote.de

	Pos.	Material number	Customer material	Name	Quantity	ME	Amend. no.	Techn. Info.	Rep kit	Alternative material
	290	0634.801.215		SEALING RING	1			42X49		
	290	---		SCREW PLUG				120N.M*DICHTRING M42X1,5		0634.801.215
	---	0636.302.012		SCREW PLUG	1			M42X1,5		
	---	0634.801.215		SEALING RING	1			42X49		
	350	3084.207.061		TUBE	1			KPL.N*SCHMIERLTG*TROLLING		
	352	3084.207.062		TUBE	1			KPL.N*SCHMIERLTG*TROLLING		
	360	---		UNION SCREW	1			BLENDE 0,7MM M18X1,5		
	---	3084.207.067		UNION SCREW	1			KPL.BW-TROLLING		
	---	0630.050.044		SEALING WASHER	2					
	370	---		UNION SCREW	1			DOPPELHOHLSCHRAUBE 15*M18X1,5		
	---	0637.835.806		UNION SCREW	1					
	---	0630.050.044		SEALING WASHER	3					
	376	---		THREADED BUSH	1			M26X1,5		
	---	0736.304.025		THREADED BUSH	1			M26X1,5/M18X1,5		
	---	0634.801.088		SEALING RING	1			26X32		
	390	0632.900.088		CLAMP	2					
	392	---		BOLT+NUT	2		Z00007891116	M8X20		
	---	0636.100.796		HEXAGON SCREW	1		Z00007891120	M8X20		
	---	0630.100.276		WASHER	1		Z00007290410			
	---	0637.006.280		HEXAGON NUT	1		Z00007282712	M8		
	396	3084.307.095		ANGLE BRACKET	2					
	400	3084.207.223		LUBRICATION TUBE	1			KPL.ZF7600*ZW		
	402	0634.801.063		SEALING RING	1			18X24		
	402	---		SCREW PLUG			Z00010111515	35N.M*DICHTRING M18X1,5		0634.801.063
	---	0636.100.791		SCREW PLUG	1		Z00010111521	M18X1,5		
	---	0634.801.063		SEALING RING	1		Z00010111521	18X24		
	414	---		UNION SCREW	1			18		
	---	0637.100.510		UNION SCREW	1		Z00010296411			
	---	0630.050.045		SEALING WASHER	2					
	420	---		UNION SCREW	1		Z00010296312			
	---	0637.100.509		UNION SCREW	1		Z00010296315			
	---	0630.050.044		SEALING WASHER	2		Z00010296315			
	430	3084.207.218		CONTROL LINE	1			KPL.ZF7600*O.TROLLING ZW		

Parts list

Page 4 from 5

Material number: 3084.067.038

Picture: 086.07.44-1

Material-assembly-group-no: 3084.107.131



ZF 7600 / www.maritimusboote.de

	Pos.	Material number	Customer material	Name	Quantity	ME	Amend. no.	Techn. Info.	Rep kit	Alternative material
🛒	438	3085.310.011		SHACKLE	1			GERADE*BOHRUNG1=9MM* BOHRUNG2=11MM		
	440	---		UNION SCREW	1			M16X1,5		
🛒	---	0737.835.127		UNION SCREW	1					
🛒	---	0630.050.045		SEALING WASHER	2					
🛒	444	0632.900.088		CLAMP	1					
	446	---		BOLT+NUT	1		C01004695F10	M8X25		
🛒	---	0636.016.401		HEXAGON SCREW	1			M8X25		
🛒	---	0630.100.276		WASHER	1		Z00007290410			
🛒	---	0637.006.280		HEXAGON NUT	1		Z00007282712	M8		
	450	---		UNION SCREW	1			18		
🛒	---	0637.100.510		UNION SCREW	1		Z00010296411			
🛒	---	0630.050.045		SEALING WASHER	2					
🛒	460	3084.207.023		TUBE	1			KPL.		
🛒	464	3085.310.011		SHACKLE	1			GERADE*BOHRUNG1=9MM* BOHRUNG2=11MM		
🛒	466	0632.900.088		CLAMP	1					
	468	---		BOLT+NUT	1		C01004695F10	M8X25		
🛒	---	0636.016.401		HEXAGON SCREW	1			M8X25		
🛒	---	0630.100.276		WASHER	1		Z00007290410			
🛒	---	0637.006.280		HEXAGON NUT	1		Z00007282712	M8		
	470	---		SOCKET	1					
🛒	---	0637.839.503		SOCKET	1					
🛒	---	0634.801.074		SEALING RING	1			22X27		
	480	---		UNION SCREW	1			M16X1,5		
🛒	---	0737.835.127		UNION SCREW	1					
🛒	---	0630.050.045		SEALING WASHER	2					
🛒	790	0634.801.050		SEALING RING	1			16X22		
	790	---		SCREW PLUG			Z00010166013	35N.M*DICHTRING M16X1,5		0634.801.050
🛒	---	0636.304.087		SCREW PLUG	1		Z00010166010	M16X1,5		
🛒	---	0634.801.050		SEALING RING	1		Z00010166010	16X22		
🛒	796	0634.801.050		SEALING RING	1			16X22		
	796	---		SCREW PLUG			Z00010166013	35N.M*DICHTRING M16X1,5		0634.801.050
🛒	---	0636.304.087		SCREW PLUG	1		Z00010166010	M16X1,5		

Parts list

Page 5 from 5

Material number: 3084.067.038

Picture: 086.07.44-1

Material-assembly-group-no: 3084.107.131



ZF 7600 / www.maritimusboote.de

	Pos.	Material number	Customer material	Name	Quantity	ME	Amend. no.	Techn. Info.	Rep kit	Alternative material
🛒	---	0634.801.050		SEALING RING	1		Z00010166010	16X22		
🛒	900	0634.801.088		SEALING RING	1			26X32		
	900	---		SCREW PLUG				70N.M*DICHTRING CM26X1,5		0634.801.088
🛒	---	0636.305.038		SCREW PLUG	1			M26X1,5		
🛒	---	0634.801.088		SEALING RING	1			26X32		
🛒	940	0632.900.088		CLAMP	2					
🛒	948	0730.001.800		WASHER	1					
	952	---		BOLT+NUT	1		Z00007420011	M8X30		
🛒	---	0636.100.276		STUD	1		Z00007420010	M8X30		
🛒	---	0637.006.280		HEXAGON NUT	1		Z00007282712	M8		

Picture

Page 1 from 1

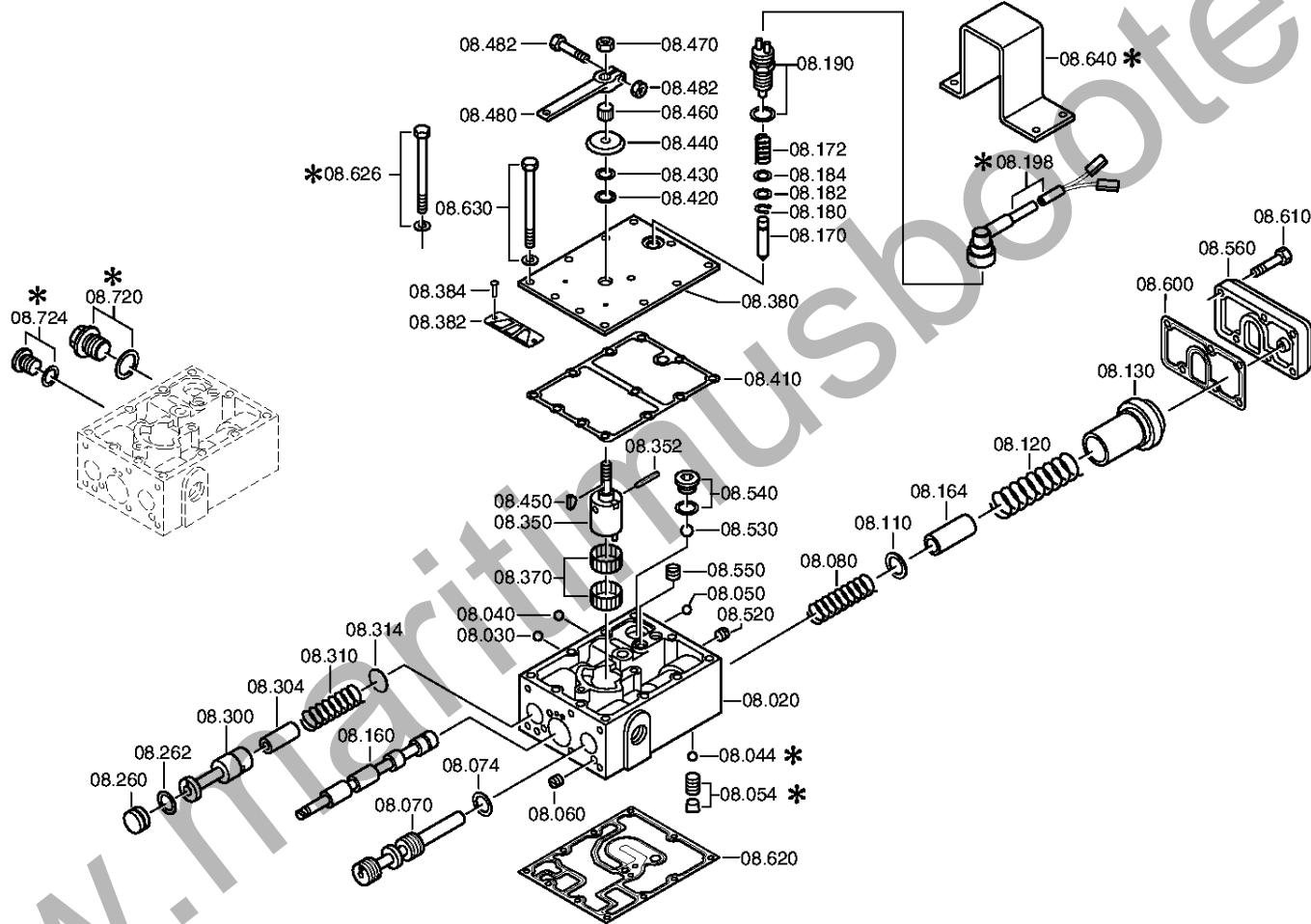
Material number: 3084.067.038

Picture: 086.08.03-1

CONTROL UNIT



ZF 7600 /
www.maritimusboote.de
CONTROL UNIT



Parts list

Page 1 from 4

Material number: 3084.067.038

Picture: 086.08.03-1

Material-assembly-group-no: 3084.108.802



ZF 7600 / www.maritimusboote.de

	Pos.	Material number	Customer material	Name	Quantity	ME	Amend. no.	Techn. Info.	Rep kit	Alternative material
	20	3084.308.115		CONTROL HOUSING	1			ZF4590/7500 2ST-MO		
	30	0635.460.006		BALL	1			5		
	40	0635.460.006		BALL	1			5		
	44	0635.460.015		BALL	1			8		
	50	0635.460.006		BALL	1			5		
	60	0636.301.076		SCREW PLUG	1		Z00010158011	M10X1		
	70	3084.308.030		CONTROL PISTON	1			ENTHALT.IN 3084 308 027(1)		
	74	---		WASHER	3			S= 0,20- 1,00(ABSTUFUNG:0,56MM)		
	---	0730.100.217		WASHER	1			A=0,20 IN 0730 104 711(4)		
	---	0730.100.215		WASHER	1			A=0,50 IN 0730 104 711(4)		
	---	0730.007.562		WASHER	1			A=1,00 IN 0730 007 559(3)		
	80	0732.042.738		COMPRESSION SPRING	1					
	110	0730.109.636		WASHER	1			A=3,00 IN 0730 109 635(3)		
	120	0732.042.658		COMPRESSION SPRING	1					
	130	3084.308.035		PISTON	1			MODULATION BW 755		
	160	3083.308.059		CONTROL PISTON	1					
	164	0730.063.295		BUSH	1			A=46,10 IN 0730 063 237(3)		
	170	0731.208.099		DETENT PIN	1					
	172	0732.040.897		COMPRESSION SPRING	1					
	180	0630.501.003		RETAINING RING	1			7X0,8		
	182	0730.004.164		WASHER	1			A=1,50		
	184	6007.303.086		WASHER	1					
	190	---		SWITCH	1			SCHL*50N.M*SCHEIBE*		
	---	0501.311.807		SWITCH	1			SCHUTZKAPPE		
	---	---		WASHER	1			SCHLIESSER		
	---	---		WASHER	1			H= 0,60- 0,80		
	---	0730.003.049		WASHER	2			A=0,60 IN 0730 003 298(2)		
	---	0730.003.050		WASHER	1			A=0,80 IN 0730 003 298(2)		
	198	6029.199.003		PLUG KIT	1			STECKER 2POL M27		
	260	3084.308.032		PLUG	1			ENTHALT.IN 3084 308 031(3)		
	262	0634.316.158		O-RING	1			29,9X10		
	300	3083.308.047		PISTON	1			25X2,5		
	304	0730.063.021		BUSH	1			A=45,00 IN 0730 062 677(2)		

Parts list

Page 2 from 4

Material number: 3084.067.038

Picture: 086.08.03-1

Material-assembly-group-no: 3084.108.802



ZF 7600 / www.maritimusbote.de

	Pos.	Material number	Customer material	Name	Quantity	ME	Amend. no.	Techn. Info.	Rep kit	Alternative material
	310	0732.041.719		COMPRESSION SPRING	1					
	314	---		WASHER	2			H= 1,00- 4,00(ABSTUFUNG:0,10MM)		
	---	0730.362.148		WASHER	1			A=1,00 IN 0730 362 147(3)		
	---	0730.362.149		WASHER	1			A=1,10 IN 0730 362 147(3)		
	---	0730.362.150		WASHER	1			A=1,20 IN 0730 362 147(3)		
	---	0730.362.151		WASHER	1			A=1,30 IN 0730 362 147(3)		
	---	0730.362.152		WASHER	1			A=1,40 IN 0730 362 147(3)		
	---	0730.362.153		WASHER	1			A=1,50 IN 0730 362 147(3)		
	---	0730.362.154		WASHER	1			A=1,60 IN 0730 362 147(3)		
	---	0730.362.155		WASHER	1			A=1,70 IN 0730 362 147(3)		
	---	0730.362.156		WASHER	1			A=1,80 IN 0730 362 147(3)		
	---	0730.362.157		WASHER	1			A=1,90 IN 0730 362 147(3)		
	---	0730.362.158		WASHER	1			A=2,00 IN 0730 362 147(3)		
	---	0730.362.159		WASHER	1			A=2,10 IN 0730 362 147(3)		
	---	0730.362.160		WASHER	1			A=2,20 IN 0730 362 147(3)		
	---	0730.362.161		WASHER	1			A=2,30 IN 0730 362 147(3)		
	---	0730.362.162		WASHER	1			A=2,40 IN 0730 362 147(3)		
	---	0730.362.163		WASHER	1			A=2,50 IN 0730 362 147(3)		
	---	0730.362.164		WASHER	1			A=2,60 IN 0730 362 147(3)		
	---	0730.362.165		WASHER	1			A=2,70 IN 0730 362 147(3)		
	---	0730.362.166		WASHER	1			A=2,80 IN 0730 362 147(3)		
	---	0730.362.167		WASHER	1			A=2,90 IN 0730 362 147(3)		
	---	0730.362.168		WASHER	1			A=3,00 IN 0730 362 147(3)		
	---	0730.362.169		WASHER	1			A=3,10 IN 0730 362 147(3)		
	---	0730.362.170		WASHER	1			A=3,20 IN 0730 362 147(3)		
	---	0730.362.171		WASHER	1			A=3,30 IN 0730 362 147(3)		
	---	0730.362.172		WASHER	1			A=3,40 IN 0730 362 147(3)		
	---	0730.362.173		WASHER	1			A=3,50 IN 0730 362 147(3)		
	---	0730.362.174		WASHER	1			A=3,60 IN 0730 362 147(3)		
	---	0730.362.175		WASHER	1			A=3,70 IN 0730 362 147(3)		
	---	0730.362.176		WASHER	1			A=3,80 IN 0730 362 147(3)		
	---	0730.362.177		WASHER	1			A=3,90 IN 0730 362 147(3)		
	---	0730.362.178		WASHER	1			A=4,00 IN 0730 362 147(3)		
	350	3082.208.051		GEARSHIFT SHAFT	1			KPL.		

Parts list

Page 3 from 4

Material number: 3084.067.038

Picture: 086.08.03-1

Material-assembly-group-no: 3084.108.802



ZF 7600 / www.maritimusboote.de

	Pos.	Material number	Customer material	Name	Quantity	ME	Amend. no.	Techn. Info.	Rep kit	Alternative material
	352	0631.329.072		SPRING PIN	1			6X40		
	370	0750.115.380		NEEDLE CAGE	2			32,0X37,0X17,0		
	380	3083.308.091		COVER	1			STEUERUNG		
	382	3082.308.172		PLATE	1			ZF2500/ZF4590/ZF7500		
	384	---		GROOVED STUD	2			5X8		
	---	0631.311.045		GROOVED STUD	1			5X8		
	410	3085.308.030		GASKET	1			STEUERUNG		
	420	0634.313.911		O-RING	1			17X3,5		
	430	0730.150.318		WASHER	1					
	440	3082.308.044		WASHER	1					
	450	0631.511.002		WOODRUFF KEY	1					
	460	3082.308.066		INTERMEDIATE PART	1					
	470	0637.006.281		HEXAGON NUT	1		Z00007282615	M10		
	480	3082.308.067		LEVER	1			ENTHALT.IN 3082 308 156(2)		
	482	---		BOLT+NUT	1			M8X45		
	---	0636.100.634		HEXAGON SCREW	1		Z00007059212	M8X45		
	---	0637.006.280		HEXAGON NUT	1		Z00007282712	M8		
	520	0731.611.052		ORIFICE	1			M14X12*D=2,2		
	530	0635.460.121		BALL	1			16		
	540	0634.801.074		SEALING RING	1			22X27		
	540	---		SCREW PLUG	1		Z00010164014	60N.M*DICHTRING M22X1,5		0634.801.074
	---	0636.100.824		SCREW PLUG	1		Z00010164019	M22X1,5		
	---	0634.801.074		SEALING RING	1		Z00010164019	22X27		
	550	0631.402.004		SLOTTED PLUG	2			M18X1,5		
	560	3083.308.024		COVER	1					
	600	0501.314.764		GASKET	1					
	610	0636.100.628		HEXAGON SCREW	6			M8X35		
	620	0501.324.612		GASKET	1			196X220		
	620	0501.324.612		GASKET	1			196X220		
	630	---		HEXAGON SCREW	11		C01004695F10	M8X110		
	---	0636.100.525		HEXAGON SCREW	1		Z00007053413	M8X110		
	---	0630.100.276		WASHER	1		Z00007290410			
	720	0634.801.088		SEALING RING	1			26X32		
	720	---		SCREW PLUG	1			70N.M*DICHTRING CM26X1,5		0634.801.088

Parts list

Page 4 from 4

Material number: 3084.067.038

Picture: 086.08.03-1

Material-assembly-group-no: 3084.108.802



ZF 7600 / www.maritimusboote.de

	Pos.	Material number	Customer material	Name	Quantity	ME	Amend. no.	Techn. Info.	Rep kit	Alternative material
	---	0636.305.038		SCREW PLUG	1			M26X1,5		
	---	0634.801.088		SEALING RING	1			26X32		
	724	0634.801.205		SEALING RING	1			12X15,5		
	724	---		SCREW PLUG			Z00010162913	25N.M*DICHTRING M12X1,5		0634.801.205
	---	0636.100.792		SCREW PLUG	1		Z00010162916	M12X1,5		
	---	0634.801.205		SEALING RING	1		Z00010162916	12X15,5		

Picture

Page 1 from 3

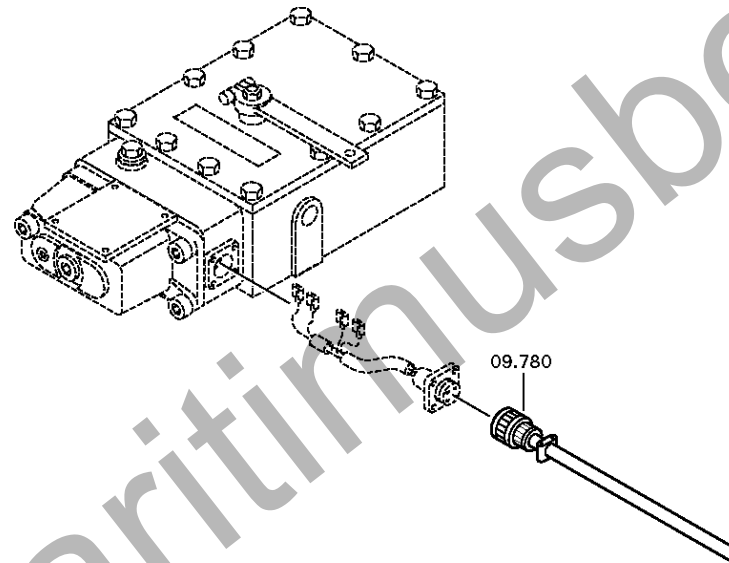
Material number: 3084.067.038

Picture: 087.09.09-1

ACTUATION



ZF 7600 /
www.maritimusboote.de
ACTUATION



Picture

Page 2 from 3

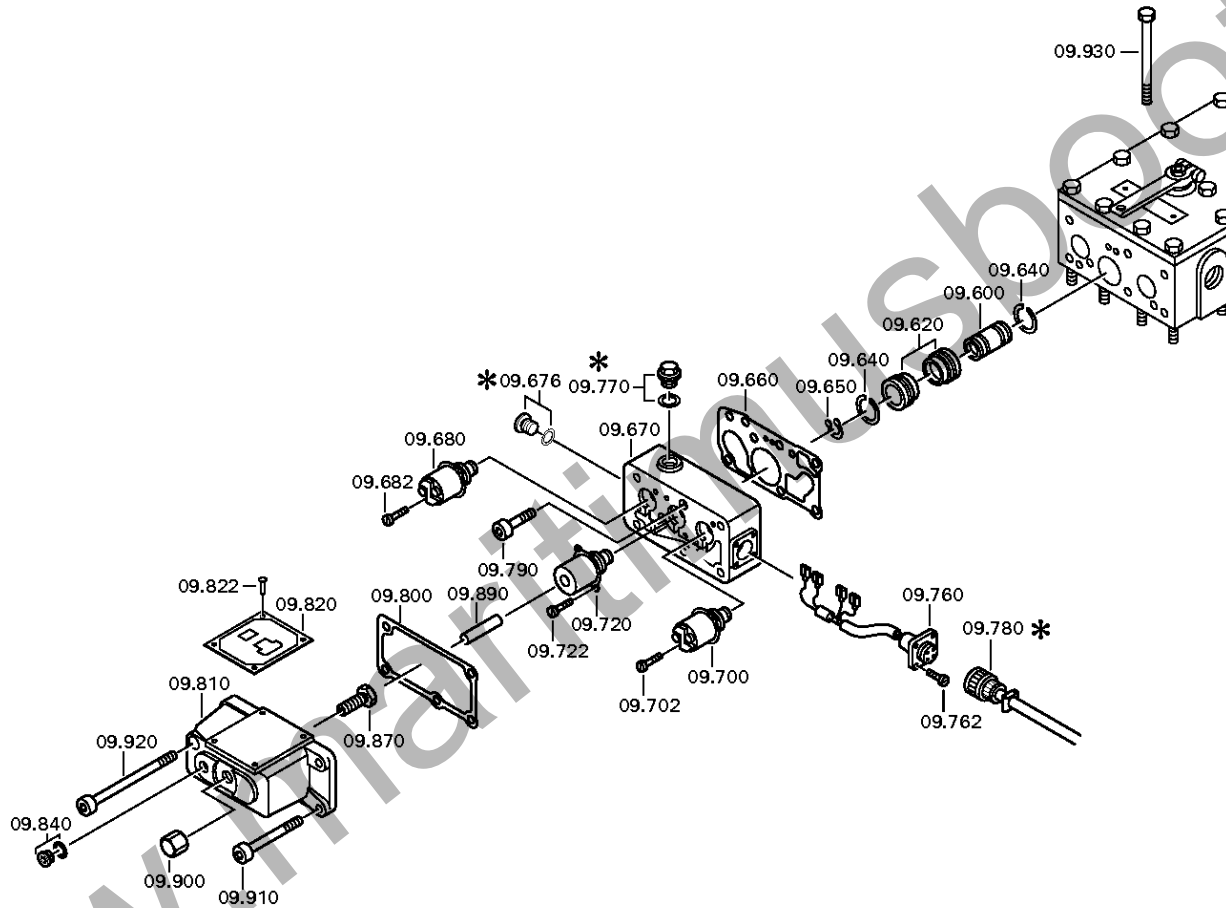
Material number: 3084.067.038

Picture: 086.09.03-1

ACTUATION



ZF 7600 /
www.maritusboote.de
ACTUATION



Picture

Page 3 from 3

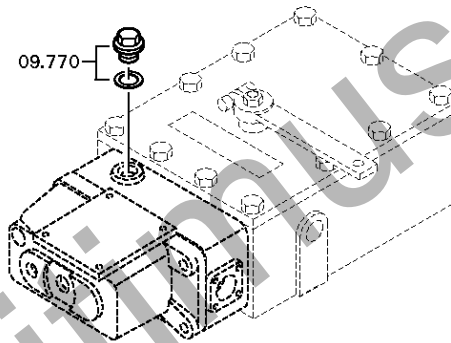
Material number: 3084.067.038

Picture: 087.09.08-1

ACTUATION



ZF 7600 /
www.maritimusboote.de
ACTUATION



Parts list

Page 1 from 2

Material number: 3084.067.038

Picture: 087.09.09-1

Material-assembly-group-no: 3083.109.403



ZF 7600 / www.maritimusboote.de

	Pos.	Material number	Customer material	Name	Quantity	ME	Amend. no.	Techn. Info.	Rep kit	Alternative material
	600	3084.308.008		PISTON SUPPORT	1					
	620	3084.308.009		PISTON	2					
	640	0630.513.018		SNAP RING	2					
	650	0630.531.003		RETAINING RING	1			12X1,5		
	660	3082.309.061		GASKET	1		C01006480C10	BETAETIGUNG		
	670	3084.309.023		INTERM.HOUSING	1					
	676	0634.801.015		SEALING RING	1			10X14		
	676	---		SCREW PLUG			Z00010111614	25N.M*DICHTRING M10X1		0634.801.015
	---	0636.100.793		SCREW PLUG	1		Z00010111619	M10X1		
	---	0634.801.015		SEALING RING	1		Z00010111619	10X14		
	680	0501.319.200		SOLENOID VALVE	1		C01000765C10	24V 2POL		
	682	0636.102.327		CAP SCREW	2		Z00010715210	M5X10		
	700	0501.319.200		SOLENOID VALVE	1		C01000765C10	24V 2POL		
	702	0636.102.327		CAP SCREW	2		Z00010715210	M5X10		
	720	0501.203.050		SOLENOID VALVE	1					
	722	0636.102.327		CAP SCREW	2		Z00010715210	M5X10		
	760	3082.208.059		WIRING HARNESS	1			KPL.		
	762	0636.100.469		CAP SCREW	4		Z00007406211	M3X10		
	770	---		SCREW PLUG	1		Z00010172113	35N.M*DICHTRING M14X1,5		
	---	0636.100.300		SCREW PLUG	1		Z00010172115	M14X1,5		
	---	0634.801.151		SEALING RING	1		Z00010172115	14X20		
	780	0659.050.012		PLUG	1					
	790	0636.115.291		CAP SCREW	1		Z00007419110	M8X40		
	800	3082.308.166		GASKET	1		C01000431C10	EL.BETAET		
	810	3082.308.114		PROTECTIVE COVER	1					
	820	3024.309.229		PLATE	1					
	822	0631.100.125		GROOVED STUD	4		Z00008472911	2X4		
	840	0634.801.015		SEALING RING	1			10X14		
	840	---		SCREW PLUG				25N.M*DICHTRING M10X1		0634.801.015
	---	0636.100.793		SCREW PLUG	1		Z00010111619	M10X1		
	---	0634.801.015		SEALING RING	1		Z00010111619	10X14		
	870	0731.590.122		THREADED BUSH	1			A=26 M16X1,5		
	890	3024.309.230		PIN	1					
	900	0737.202.005		CAP NUT	1			M16X1,5		

Parts list

Page 2 from 2

Material number: 3084.067.038

Picture: 087.09.09-1

Material-assembly-group-no: 3083.109.403



ZF 7600 / www.maritimusboote.de

	Pos.	Material number	Customer material	Name	Quantity	ME	Amend. no.	Techn. Info.	Rep kit	Alternative material
	910	---		CAP SCREW	4		C01008683B10	M8X70		
	---	0636.115.288		CAP SCREW	1		Z00007400210	M8X70		
	---	0630.100.276		WASHER	1		Z00007290410			
	920	---		CAP SCREW	1		C01008683B10	M8X120		
	---	0636.100.607		CAP SCREW	1		Z00007713513	M8X120		
	---	0630.100.276		WASHER	1		Z00007290410			

Parts list

Page 1 from 1

Material number: 3084.067.038

Material-assembly-group-no: 3084.116.080



ZF 7600 / www.maritimusboote.de

	Pos.	Material number	Customer material	Name	Quantity	ME	Amend. no.	Techn. Info.	Rep kit	Alternative material
☒	310	0731.359.023		SLOTTED PLUG	1			R1/4KEG		

Picture

Page 1 from 1

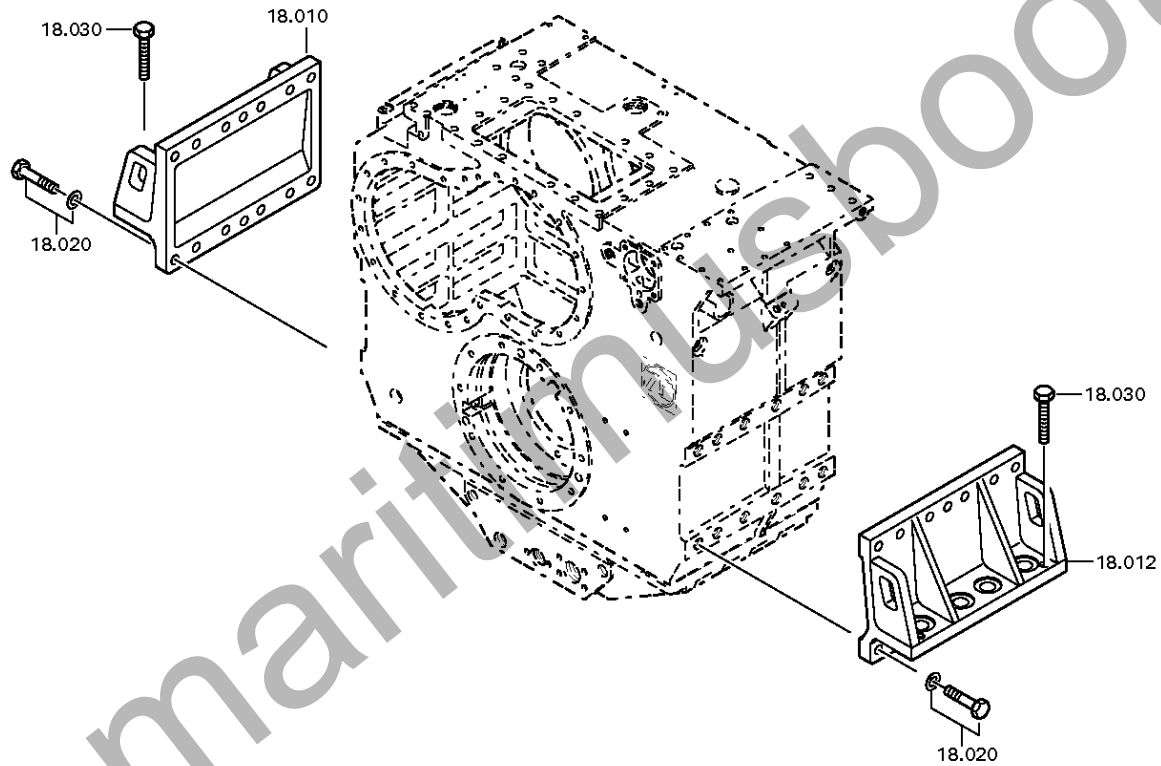
Material number: 3084.067.038

Picture: 086.18.07-1

Material-assembly-group-no: 3084.118.023



ZF 7600 /
www.maritimusboote.de
SUSPENSION



Parts list

Page 1 from 1

Material number: 3084.067.038

Picture: 086.18.07-1

Material-assembly-group-no: 3084.118.023



ZF 7600 / www.maritimusboote.de

	Pos.	Material number	Customer material	Name	Quantity	ME	Amend. no.	Techn. Info.	Rep kit	Alternative material
	10	3084.318.031		SUSPENSION	1					
	12	3084.318.031		SUSPENSION	1					
	20	---		HEXAGON SCREW	28		C01007020B10	M20X60		
	---	0636.100.848		HEXAGON SCREW	1		Z00008447910	M20X60		
	---	0630.100.301		WASHER	1		Z00008436010			
	30	0636.021.124		HEXAGON SCREW	4			M18X1,5X70		

Picture

Page 1 from 1

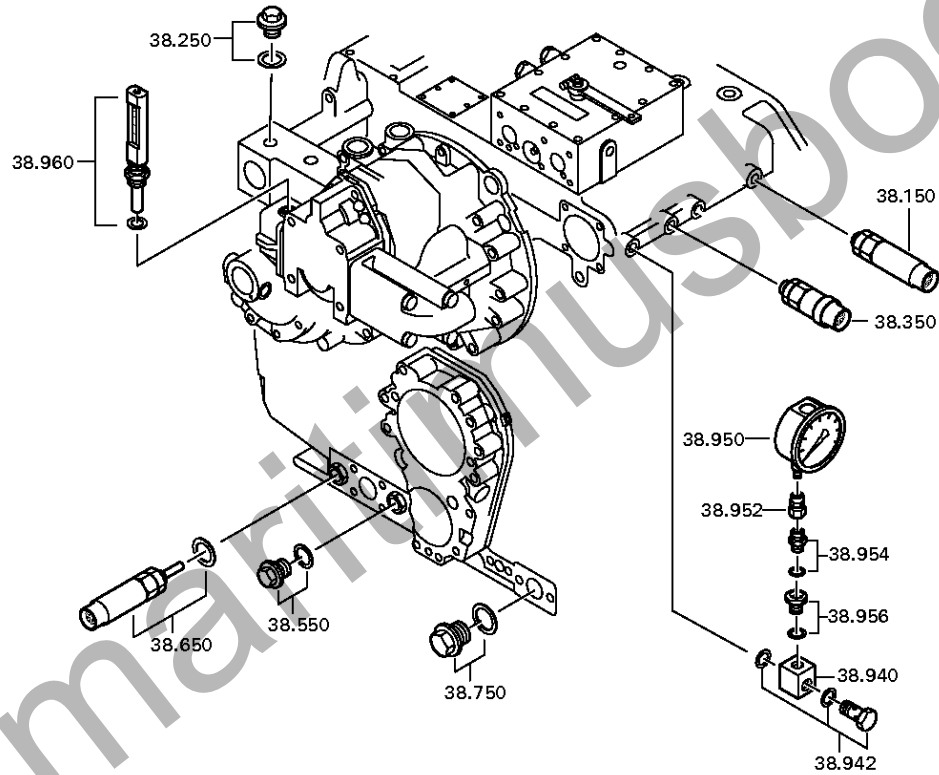
Material number: 3084.067.038

Picture: 086.38.20-1

Material-assembly-group-no: 3084.138.052



ZF 7600 /
www.maritimusboote.de
MONITORING



Parts list

Page 1 from 1

Material number: 3084.067.038

Picture: 086.38.20-1

Material-assembly-group-no: 3084.138.052



ZF 7600 / www.maritimusbote.de

	Pos.	Material number	Customer material	Name	Quantity	ME	Amend. no.	Techn. Info.	Rep kit	Alternative material
	150	0501.322.700		PRESSURE SWITCH	1			26,0 BAR*STEIGEND M18X1,5		
	250	0634.801.063		SEALING RING	1			18X24		
	250	---		SCREW PLUG	1			45N.M*DICHTRING M18X1,5		0634.801.063
	---	0636.100.482		SCREW PLUG	1		Z00010166419	M18X1,5		
	---	0634.801.063		SEALING RING	1		Z00010166419	18X24		
	350	0659.064.535		PRESSURE SENSOR	1					
	650	---		TEMPERATURE SENSOR	1			PT1000*0-120GRAD CELCIUS* DANFOSS		
	---	0646.120.325		TEMP.SENSOR	1					
	---	0634.801.063		SEALING RING	1			18X24		
	940	3082.310.131		CONNECTING PART	1					
	942	---		UNION SCREW	1					
	---	0637.100.694		UNION SCREW	1		Z00013833611			
	---	0630.050.044		SEALING WASHER	2					
	950	0501.212.496		PRESSURE GAUGE	1			0-40BAR G1/4 B		
	952	0637.885.742		PIPE UNION	1					
	954	0637.885.781		PIPE UNION	1					
	960	---		THERMOMETER	1			SIKA*0-120GRAD M18X1,5		
	---	0501.311.614		THERMOMETER	1					
	---	0634.801.060		SEALING RING	1			18X22		