

Isotemp Basic, Slim/B & Slim Square

Waterheater - Scaldabagno - Warmwasserbereiter - Chauffe-eau -
Varmvattenberedare - Calentador de agua - Tapwaterboiler



GB - Operators Manual
IT - Manuale istruzioni
D - Bedienungsanleitung
F - Manuel d'utilisation
S - Bruksanvisning
ES - Manual de operación
NL - Gebruiksaanwijzing

Table of contents

1. Safety instructions
2. Locating the tank
3. Mounting
4. Connections
 - 4.1 Fittings
 - 4.2 Hoses
 - 4.3 Connections to engine
 - 4.4 Freshwater system connections
 - 4.5 Electrical connections
5. Start up/Test
6. Maintenance
 - 6.1 Winterization
 - 6.2 Replacing thermostat
 - 6.3 Replacing heater element
7. Double heat exchanger
8. Technical data
 - 8.1 Basic
 - 8.2 Slim/B
 - 8.3 Slim Square

1 - Safety instructions

This manual has been compiled to help you to operate your water heater with safety and pleasure. It contains information about operation and maintenance. Please read it carefully and make yourself familiar with the product and keep this manual in a safe place on board.

It is important that your water heater is correctly installed and maintained. During the winter period when the unit is not being used it is essential that it is drained to avoid risk of damage due to freezing. Every single water heater is individually pressure tested prior to delivery and carries a two year factory warranty in respect of defects in material and/or manufacture.

Indel Marine S.r.l. accepts no responsibility or liability for damage to equipment, injury to personnel that may result from improper installation or operation of this product.



Danger!

All electrical installations on board must be carried out by authorized specialists. The water heater must be properly grounded to the AC system.



Danger!

Always use recommended wire size, fuse/circuit breaker and a GFC-breaker.



Warning!

Do not connect the heater element to the power net until the water heater tank is filled with water.



Warning!

Risk of scalding, the hot water in the water heater will be as hot as the engine.

Caution!

Consider the chapter 4.5 electrical connections regarding risk of corrosion in connection with shore power.


Caution!

Follow carefully the engine manufacturers instructions regarding connection to the engine cooling system.

Environment:

This appliance is marked according to the European directive 2002/96/EC on Waste Electrical and Electronic Equipment (WEEE).

By ensuring this product is disposed of correctly, you will help prevent potential negative consequences for the environment and human health, which could otherwise be caused by inappropriate waste handling of this product.

The symbol  on the product, or on the accompanying documents indicates that this appliance may not be treated as household waste.

Instead it should be handed over to the applicable collection point for the recycling of electrical and electronic equipment. Disposal must be carried out in accordance with local environmental regulations for waste disposal.

For more detailed information about treatment, recovery and recycling of this product, please contact your local city office, your household waste disposal service or the shop where you purchased the product.

2. Locating the tank

The water heater can be mounted anywhere on the vessel as long as the connections to the engine heat exchanger are below the engine header tank (Fig. 1). It is best to keep the length of the heat exchanger hoses short to keep flow resistance and heat loss to a minimum. In many installations the tank heat exchanger is simply connected in series with the engine coolant circuit. In some installations it is connected in parallel with a flow restrictor/diverter.

The choice depends on the specific recommendations of the engine manufacturer and or installer. Please consult the manufacturer or dealer of your engine for any recommendations they may have for connecting to the engine cooling system.

In case the tank has to be placed above the engine header tank, the engine water hose circuit must be equipped with an air bleeder valve on the highest point. This is available as an extra equipment.

Principal connection diagram

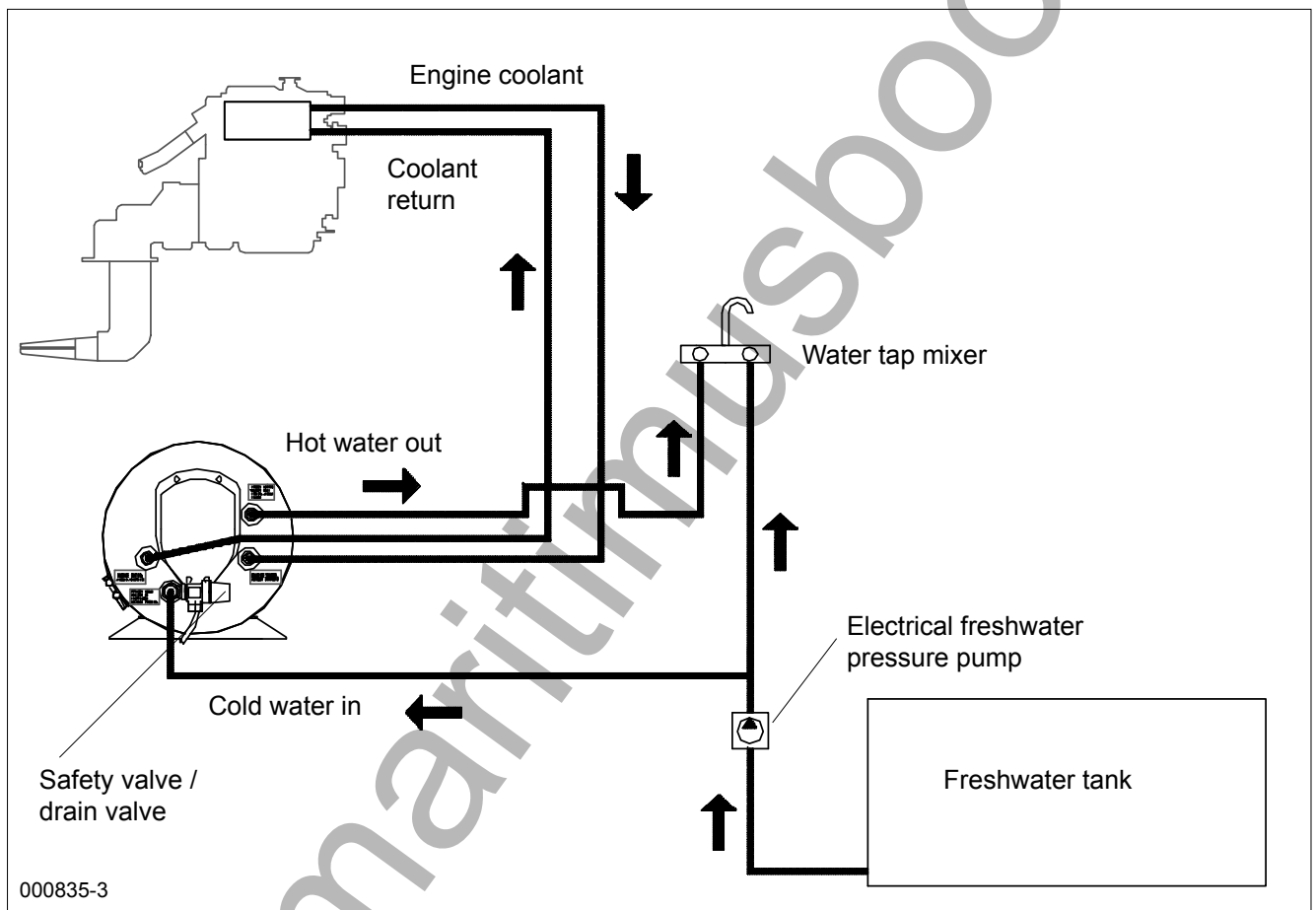


Fig. 1

3. Mounting

The Isotemp Basic, Slim & Slim Square water heaters are designed to give excellent performance when mounted horizontally and vertically. The drain / safety valve must always be at the lowest point. The mounting brackets can be adjusted to the side on Basic and Slim for mounting the tank on a bulkhead. Always mount the tank to a suitable shelf or bulkhead and **keep in mind the extra weight of the tank when it is full of water.**

See alternative mounting positions fig. 2.

Slim Square can be standing or laying down flat, or placed in other alternative positions as seen in fig. 7. Fig. 3 shows Basic, fig. 4 Basic with double coils, fig. 5 Slim and fig. 6 Slim Square water hose connections. It is to prefer to keep about 30 cm (1 ft.) free space in front of the water heater for future service measures.

Isotemp Basic & Slim

Mounting alternatives, horizontal or vertical.

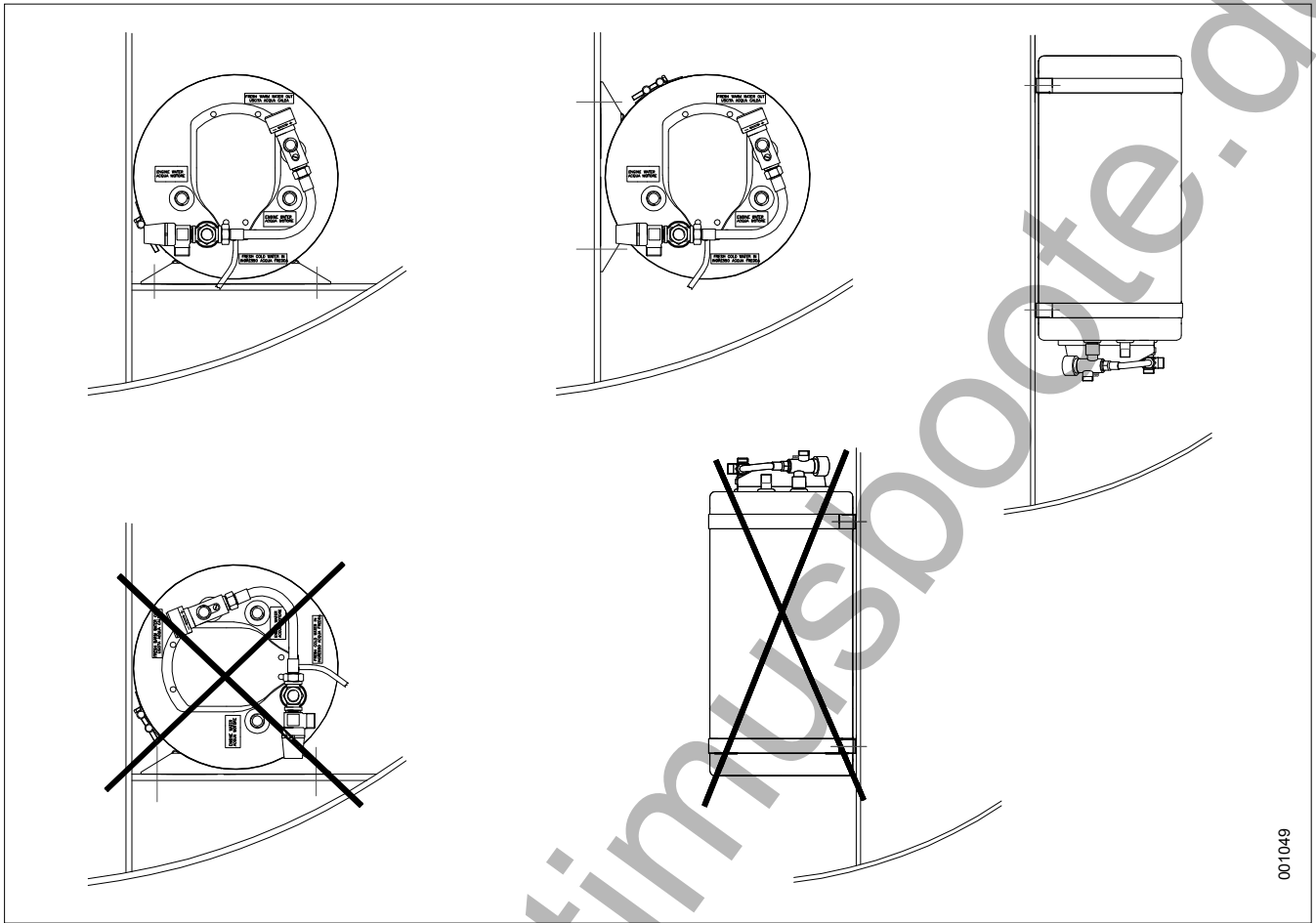


Fig. 2

Isotemp Basic without and with thermostat mixer valve

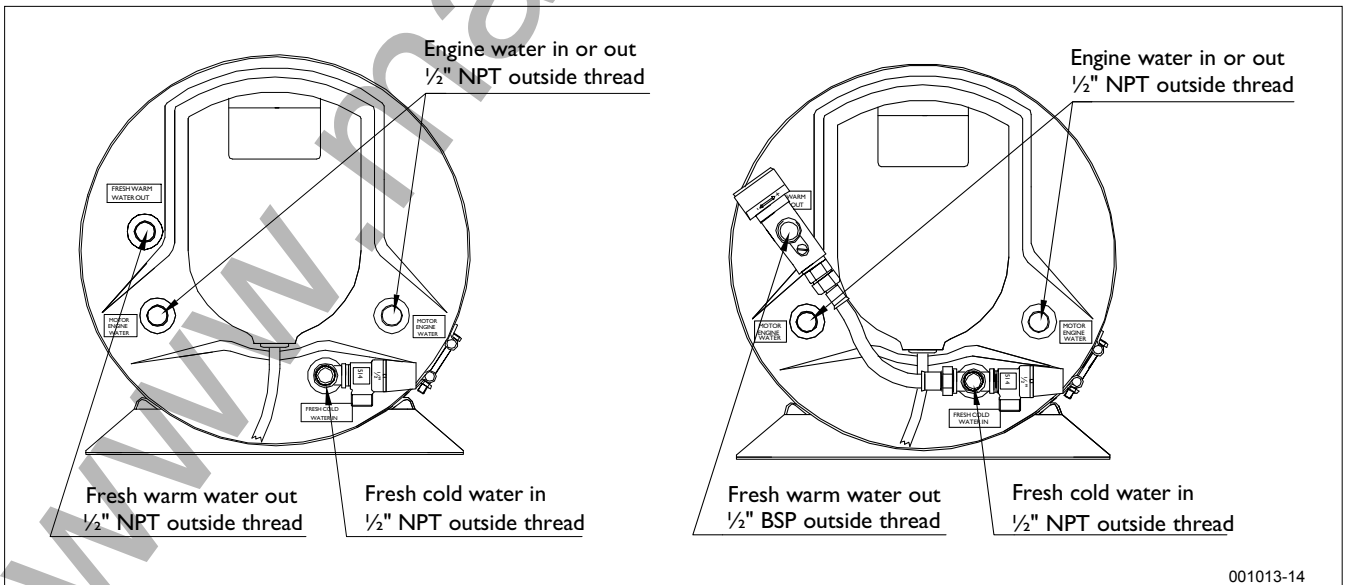


Fig. 3

Isotemp Basic with double coils, without and with thermostat mixer valve

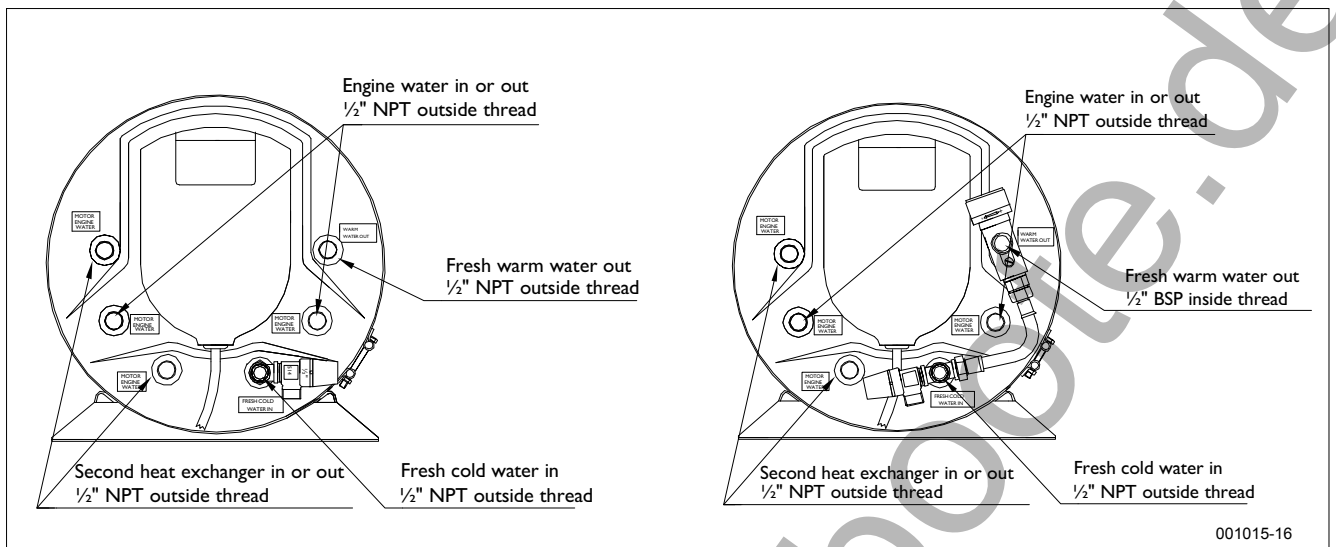


Fig.4

Isotemp Slim without and with thermostat mixer valve

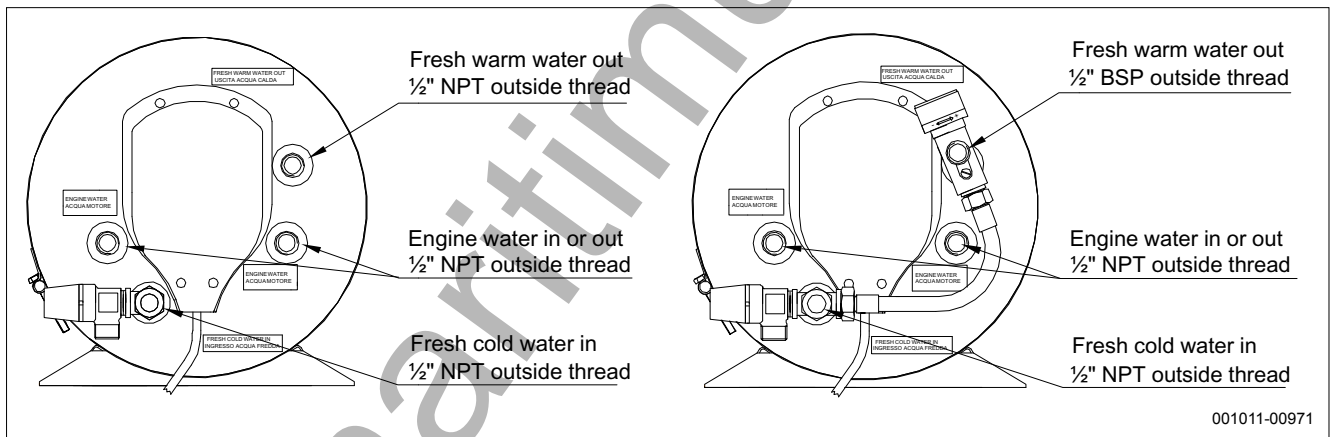


Fig. 5

Please Note:

Hose nipples with straight 1/2" BSP threads fits also to 1/2" NPT outside threads.

Slim Square without and with thermostat mixer valve

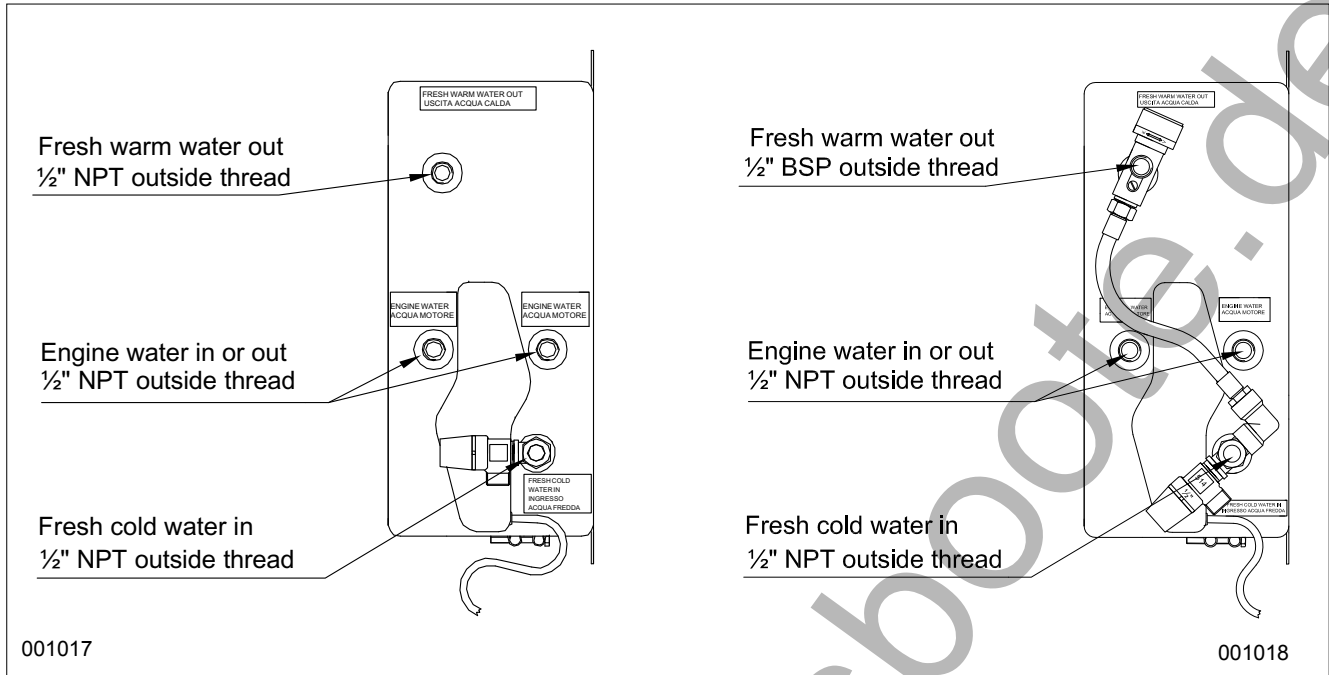


Fig. 6

Slim Square

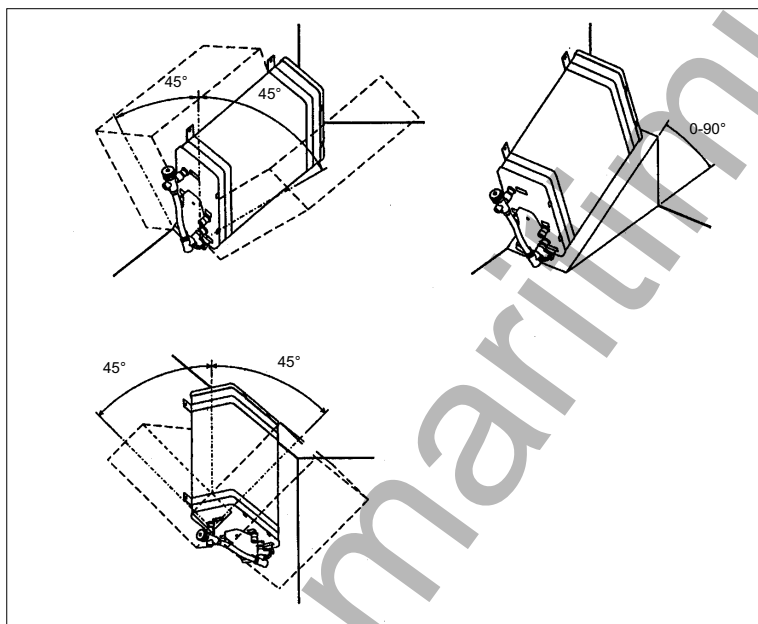


Fig. 7

Slim Square alternative mounting positions. Remember, safety valve always at the lowest position.

4. Connections

4.1 Material: Use only fittings and accessories made of non-corrosive material such as brass or stainless steel. Avoid plastic fittings on the water heater depending on the heat, unless they are specially made for this purpose. This is important, a leak in this area can cause a sudden engine overheat as well as a dangerous hot water spray.

4.2 Hoses: For the engine connections, use heat resistant (100°C / 210°F) reinforced rubber hoses,

resistant to anti-freeze and pressure approved for 5 bar / 70 psi. For the fresh water, cold inlet and warm outlet, use heat resistant fresh water hoses (food industry quality). They shall be rated 8 bar / 115 psi. Fasten the hoses carefully with hose clamps. Seal the threaded connections with e.g. Loctite 577 or Bondline T777.

Hose nipples with thread G $\frac{1}{2}$ " ($\frac{1}{2}$ "BSP) fits the connectors on the water heater.

4.3 Connections to engine (see connection diagram, fig. 1):

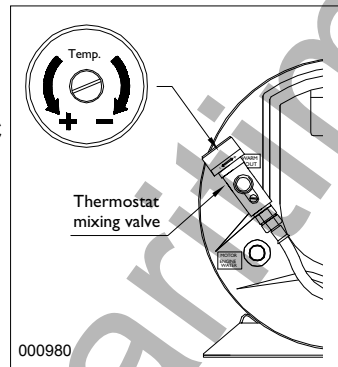
The water heater may be used with fresh water cooled engines. The flow of cooling water from the engine through the water heater should be at least 2 litres/min. If the boat has two engines, connect the water heater to one engine only. When two water heaters are mounted, they shall be connected in parallel.

Connection to the engine shall be done with min. 5/8" /16 mm hoses and adaptors to avoid restrictions. See the instructions in the engine operators manual, regarding hose connection points.

4.4 Freshwater connections (see connection diagram, fig 1):

The water heater is fed with fresh water from the electrical pressure pump in the water system. Max working pressure for the pump: 3.8 bar / 55 psi. Please note that the pressure relief valve on the tank is set to 7.0 bar /100 psi. Fresh water is taken in at the safety valve. The hot water outlet, which also vents the water heater, should be connected to a mixer tap at the sink and/or basin outlet.

Warning! Please note that the hot water is as hot as the engine, there is a risk of scalding! Mix in cold water at the taps. In case the water heater is equipped with a tempering valve (thermostatic mixing valve) a proper temperature of the warm water can be set on the adjustable tempering valve to avoid scalding. The temperature can be set between 38 and 65 °C / 100 and 150 °F.



The waste water hose must always have a free outlet. There must be no valves or skin fittings, fitted to the waste water hose. This hose must always have a free outlet. A small quantity of water can drain from the relief valve when the tank is heated. The water expands during heating. This is a normal situation and indicates the system works properly.

4.5 Electrical connections

See wiring diagram fig. 8

All internal connections are made in the factory. The power supply cable is fitted with an standard EU plug, which should be fitted to a correctly installed socket. This socket, as all "high-voltage" installations on board, must be carried out by an authorized electrician to fulfil valid safety regulations. The water heater is designed to meet regulations in this field. The shore power system installation on board, must include a ground fault circuit interrupter.

When leaving the boat for longer periods, always unplug the cable connector from the socket. This should be done even if the shore power system is shut off, as there can be a difference in the electrical system, between the earth and the sea-water earth of the boat. This can seriously damage the water heater or the heating element.

Installation of a insulation transformer in the shore power equipment eliminates any risk of galvanic corrosion via the shore power connection.

Always unplug the heater and/or turn off all circuit breakers and disconnect shore power connections before removing the connection cover. The electrical circuit is controlled by a service thermostat set to 75°C / 167°F and a double overhear protector that is set to 96°C / 205°F. If the overhear protector trip, it has to be manually reset. This is done by pressing the small knob on top of the overhear protector.

See section 6:2.

Wiring diagram

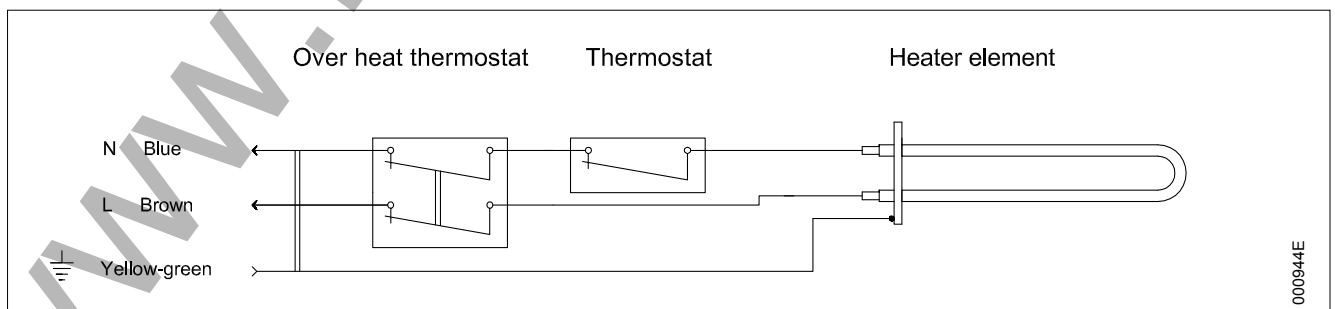


Fig. 8

5. Start up/test

Fill the hot water tank by turning on the water pressure pump and opening a hot water tap to allow air to bleed out of the hoses and / or plumbing.

Check the drain and pressure relief valve by pushing the lever. Water will flow into the drain hose. Make sure the drain hose is not blocked or closed. Pull the lever back to closed position.

Start the engine to check the circulation of the coolant. It will be necessary to add coolant to the system to compensate for the additional volume of the exchanger and hoses. Check for air locks in the connecting hoses and raise and lower these as necessary to clear the air from the hoses before securing the hoses in place. Lastly plug in the tank and turn on the circuit breaker. Check for proper operation.

6. Maintenance

6:1 Winter drain: When there is a risk of freezing the tank must be drained.

This is done by taking off the hot water hose or opening the air bleeder screw mounted on the mixing valve, if such a valve is mounted. Take the air screw away completely, and open the drain valve by turning the black knob anticlockwise one snap on the safety valve. The valve is closed again by tuning further one step anticlockwise.

If the engine is raw-water cooled the heat exchanger must also be drained by removing the hoses and blowing air into the coils to drain any water. The tank can now be safely left in the vessel over the winter. When leaving the vessel for longer periods, it is recommended to take out the power cord to eliminate the risk of stray current from the shore power earth connections.

6:2 Replacing / re-setting thermostat:

Warning: Be sure to turn power off first!

The immersion heater is 230V-750W. The thermostat equipment has an integrated working thermostat and a double overload protection thermostat. This is manually re-settable, by pushing the pin on the top of the thermostat.

(See fig. 10). Also check why the overload thermostat initially tripped before re-connection the power supply.

Turn off the power! Pull out the cable plug. Take off the front plastic cover (Basic and Slim 4 screws, Square 3 screws).

Reset overload thermostat.

Replacing thermostats: Pull off the cable shoes after having noticed their positions. Thermostat sensor ends are put into a tube on the heater element fastening flange. Pull them out. Unscrew fastening screws for the thermostats. Mount new thermostats in opposite order. Be sure sensor ends are properly put into the tube.

When leaving the boat for longer periods, it is recommended to disconnect the power supply cable plug. This should be done even if the shore power system is shut off, as there can be a difference in the electrical system, between the earth lead and the salt water earth of the boat. This can seriously damage the water heater and/or engine with propulsion equipment.

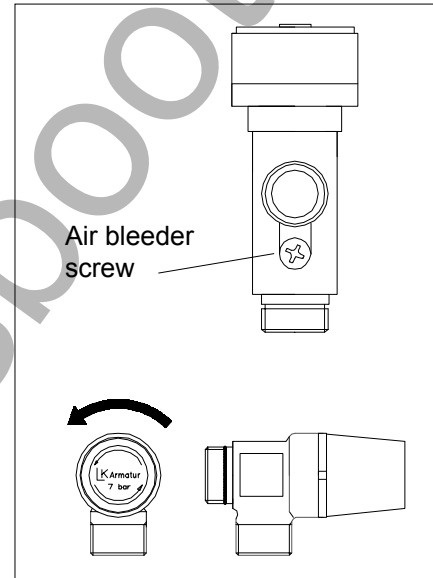


Fig. 9

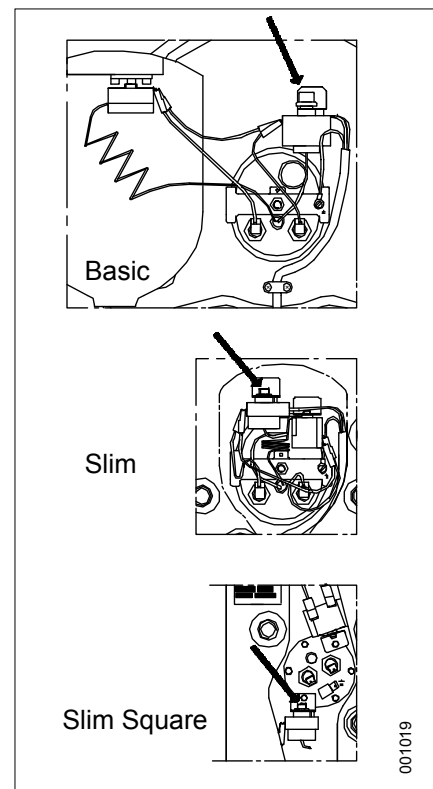


Fig. 10

6:3 Replacing heater element:

**Warning! Be sure to turn power off first!
Drain the tank from water.**

Basic and Slim

Take off the plastic cover, unscrew the two screws at the sides and push the cover downwards. Dismantle the thermostat and the overheat protector from their brackets for better access on the Slim model.

On Basic they can be left in position during the operation. Pull off the wires from the heating element tabs.

Loosen the centre nut, fig. 11-A and take off the support, fig. 11-B. Put on the nut again on the centre bolt for easier handling, easier to grab by hand.

Push off the mounting flange and rubber gasket inwards, it will come out together with the heater element unit. Turn the heater element unit 90° to the left, the wire tabs shall point to the right.

Twist the unit until the inner end hits the tank to the left.

Pull out the heater element unit through the hole with the left side first.

Unscrew the heater element from the mounting flange.

Mount the new heating element with new seal rings and a new big rubber gasket in the opposite order to the description above. The inner end of the heating element shall point slightly downwards after assembly.

Slim Square

The heating element unit is on the Square model fastened by six screws on a flange which is fastened into the tank. It has a rubber gasket. See fig. 11

First, pull off the wires from the heating element tabs.

Loosen all six screws, the heating element unit including the flange can be pulled out. Note the position of the flange.

The heating element is fastened on the flange with nuts. Unscrew the heating element from the mounting flange. Mount the new heating element with new seal rings and a new big rubber gasket in the same position as before.

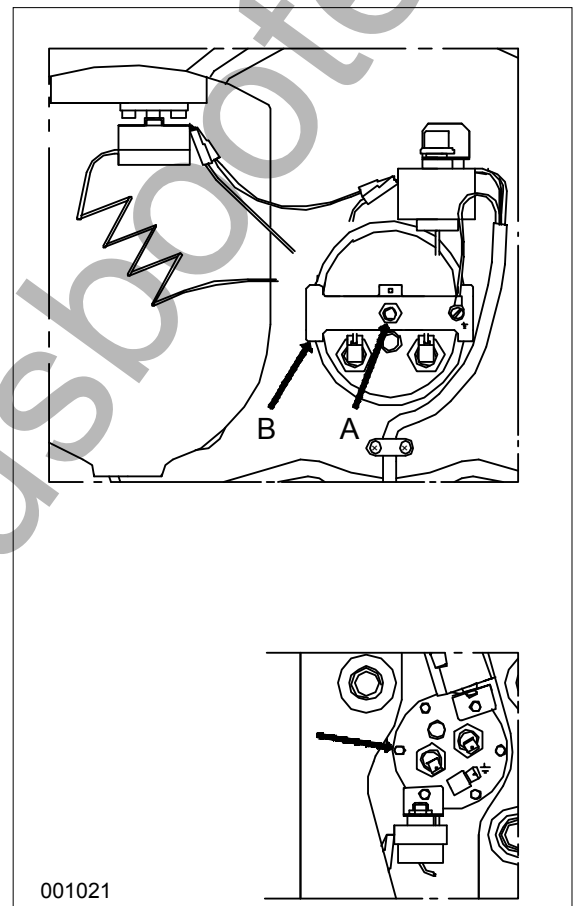


Fig. 11

7. Double heat exchanger, Basic 40 & 75 litres.

Double heat exchanger water heaters have connections for the second heat exchanger located also on the front, side by side with ordinary heat exchanger connections.

See fig. 4

Replacement of the heating element is made the same way as the description above.

8. Technical data

8.1 Basic

Type	Volume lit.	Weight kg / lbs	Heater element	Heater element options	Thermostat mixer valve
602431B000000	24	14 / 30.8	230V-750W	115V-750W	-
602431B000003	24	14 / 30.8	230V-750W	115V-750W	X
603031B000000	30	17 / 37.5	230V-750W	115V-750W	-
603031B000003	30	17 / 37.5	230V-750W	115V-750W	X
604031B000000	40	20 / 44	230V-750W	115V-750W 230V-1200W	-
604031B000003	40	20 / 44	230V-750W	115V-750W 230V-1200W	X
604031BD00000 (Double coils)	40	22 / 48.5	230V-750W	115V-750W 230V-1200W	-
604031BD00003 (Double coils)	40	22 / 48.5	230V-750W	115V-750W 230V-1200W	X
605031B000000	50	23 / 50.7	230V-750W	115V-750W 230V-1200W 230V-2000W	-
605031B000003	50	23 / 50.7	230V-750W	115V-750W 230V-1200W 230V-2000W	X
607531B000000	75	29 / 64	230V-750W	115V-750W 230V-1200W 230V-2000W 230V-3000W	-
607531B000003	75	29 / 64	230V-750W	115V-750W 230V-1200W 230V-2000W 230V-3000W	X
607531BD00000 (Double coils)	75	31 / 68.4	230V-750W	115V-750W 230V-1200W 230V-2000W 230V-3000W	-
607531BD00003 (Double coils)	75	31 / 68.4	230V-750W	115V-750W 230V-1200W 230V-2000W 230V-3000W	X

Dimensions:

See fig 12

Material:

Heat exchanger coil, storage tank and connections: stainless steel AISI 316

Outside cover and mounting brackets: Stainless steel AISI 304

Heater element:

Nickel plated copper

Insulation:

Polyurethane

Safety valve:

7 bar / 100 psi

Dimensions Basic

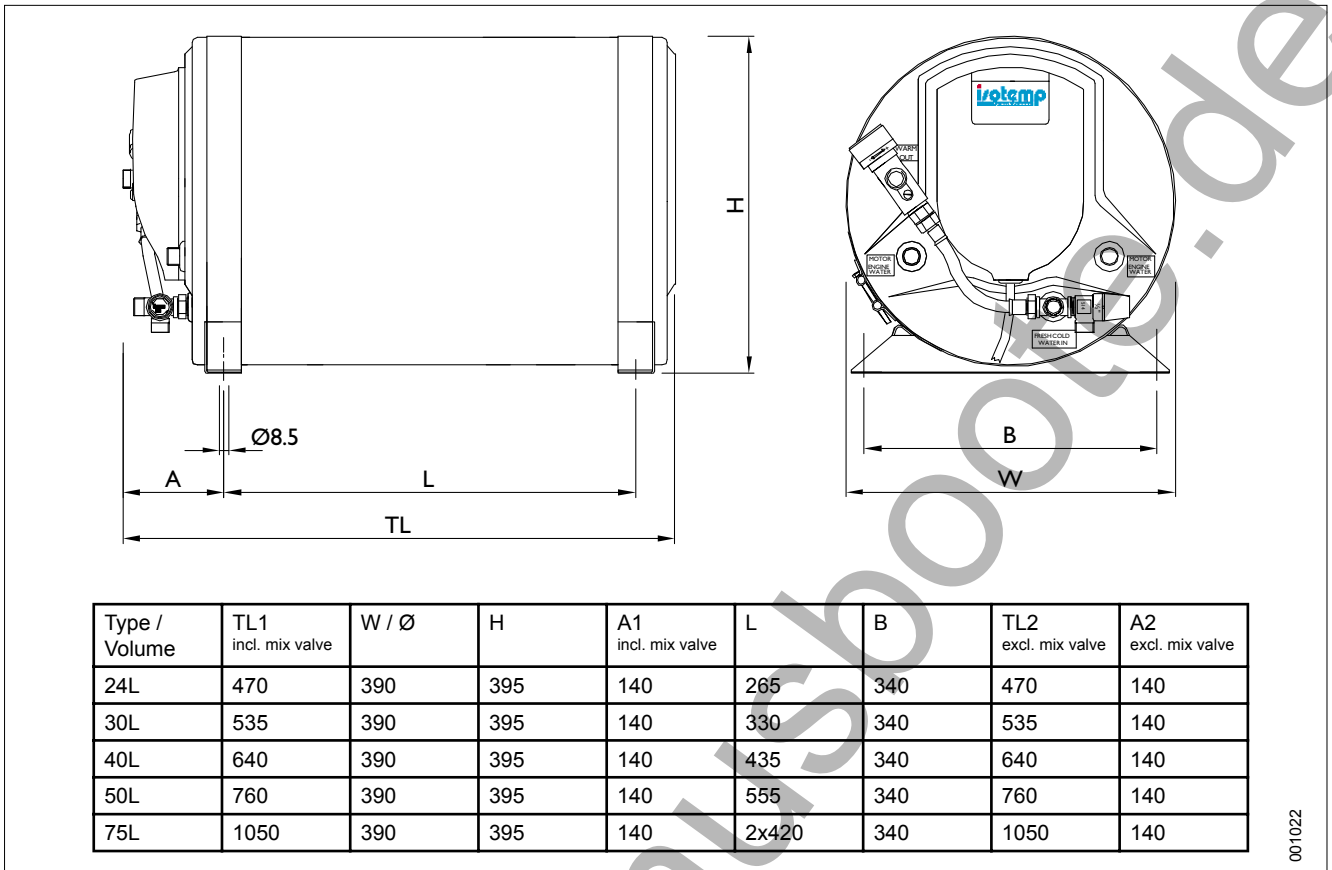


Fig. 12

8.2 Slim/B

Type	Volume lit.	Weight kg / lbs	Heater element	Heater element option	Thermostat mixer valve
601531S000000	15	10.5 / 23	230V-750W	115V-750W	-
601531S000003	15	10.5 / 23	230V-750W	115V-750W	X
602031S000000	20	12 / 26.5	230V-750W	115V-750W	-
602031S000003	20	12 / 26.5	230V-750W	115V-750W	X
602531S000000	25	13.5 / 30	230V-750W	115V-750W	
602531S000003	25	13.5 / 30	230V-750W	115V-750W	X

Dimensions:

See fig 13

Material:

Heat exchanger coil, storage tank and connections: stainless steel AISI 316
Outside cover and mounting brackets: Stainless steel AISI 304

Heater element:

Nickel plated copper

Insulation:

Polyurethane

Safety valve:

7 bar / 100 psi

Dimensions Slim/B

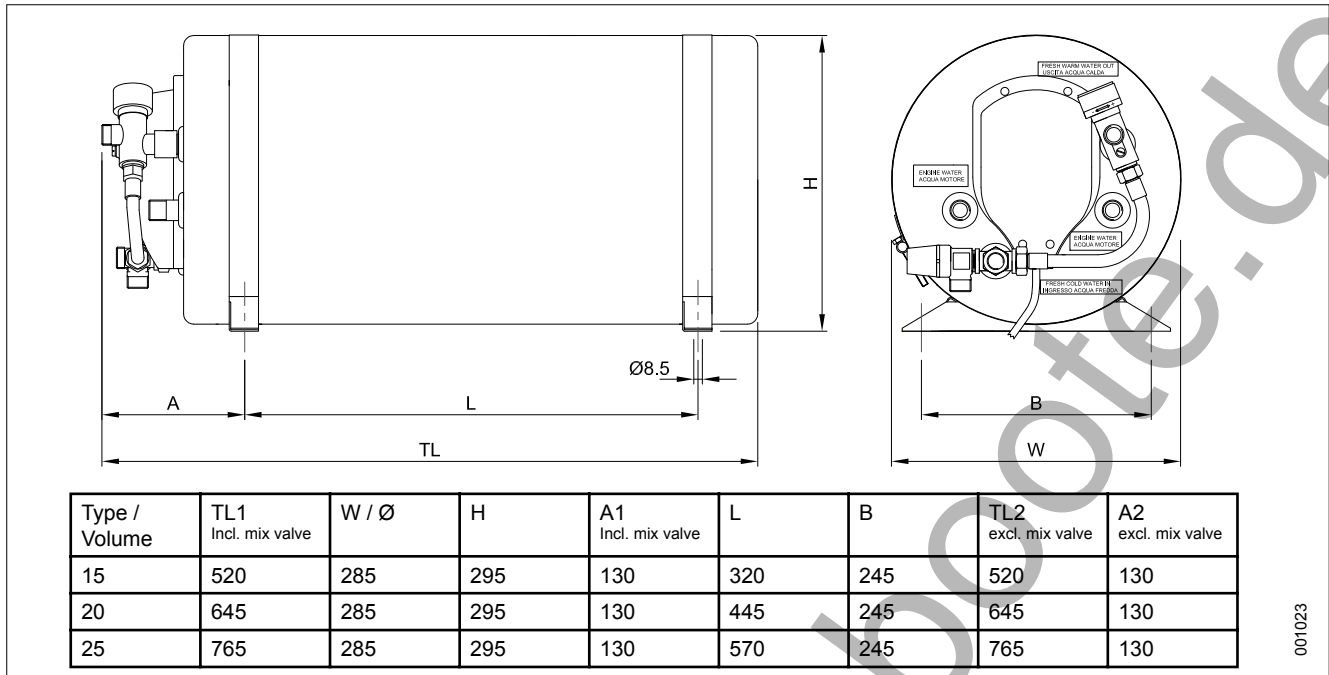


Fig. 13

8.3 Slim Square

Type	Volume lit.	Weight kg / lbs	Heater element	Heater element option	Thermostat mixer valve
601631Q000000	16	16 / 35	230V-750W	115V-750W	-
601631Q000003	16	16 / 35	230V-750W	115V-750W	X

Dimensions: See fig 14
 Material: Heat exchanger coil, storage tank and connections: stainless steel AISI 316
 Outside cover and mounting brackets: Stainless steel AISI 304. Outer gables plastic.
 Heater element: Nickel plated copper
 Insulation: Polyurethane
 Safety valve: 5.5 bar / 80 psi

Slim Square Dimensioner

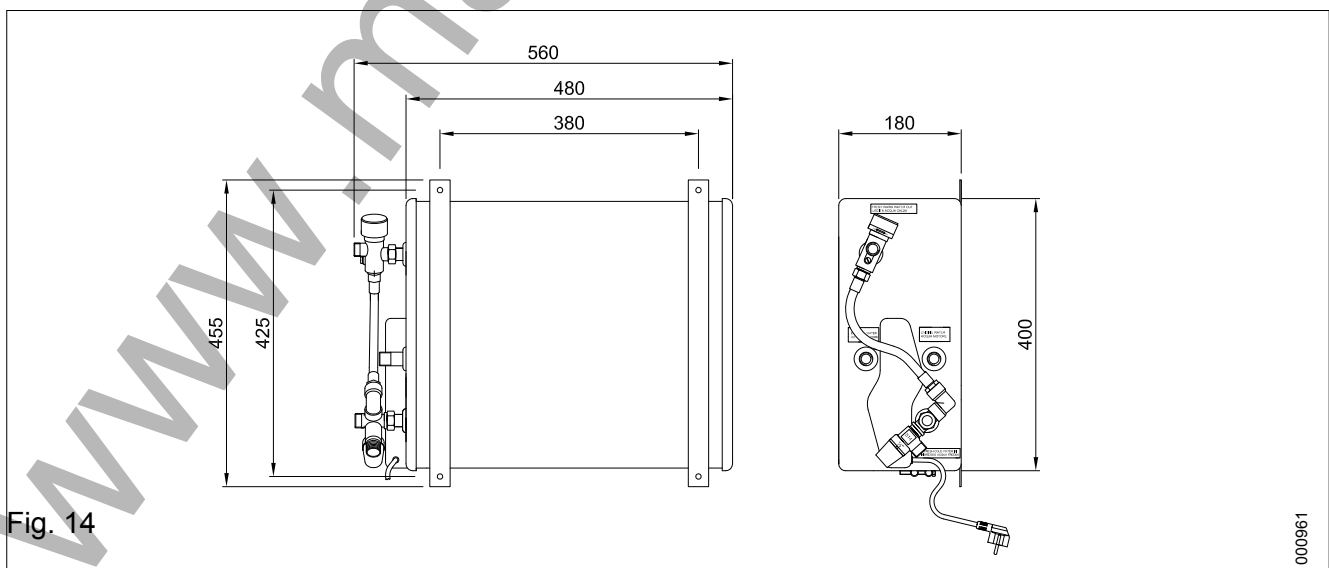


Fig. 14

Indice

1. Norme di sicurezza
2. Posizionamento
3. Montaggio
4. Collegamenti
 - 4.1 Raccordi
 - 4.2 Flessibili
 - 4.3 Collegamenti del motore
 - 4.4 Collegamenti dell'acqua dolce
 - 4.5 Collegamenti elettrici
5. Avviamento/prova
6. Manutenzione
 - 6.1 Scarico invernale
 - 6.2 Sostituzione del termostato
 - 6.3 Sostituzione della resistenza
7. Doppio scambiatore di calore
8. Dati tecnici
 - 8.1 Basic
 - 8.2 Slim/B
 - 8.3 Slim Square

1 - Norme di sicurezza

Questo manuale è stato redatto per consentirVi di utilizzare lo scaldabagno in modo sicuro e affidabile e contiene informazioni sul funzionamento e la manutenzione.

Si prega di leggere attentamente il manuale, familiarizzare con il prodotto e conservare il manuale in un luogo sicuro a bordo dell'imbarcazione.

È importante che l'installazione e la manutenzione dello scaldabagno siano eseguite correttamente.

Durante il periodo invernale, è essenziale spurgare lo scaldabagno per evitare il rischio di danni dovuti al gelo.

Ogni scaldabagno è sottoposto in fabbrica a prove di pressione e tenuta prima della consegna e viene fornito con una garanzia di due anni contro difetti di materiale e/o produzione.

Indel Marine S.r.l. declina ogni responsabilità relativamente ad eventuali danni all'attrezzatura e lesioni personali dovuti all'installazione errata oppure all'utilizzo improprio del prodotto.



Pericolo!

Tutti i collegamenti elettrici a bordo devono essere effettuati da elettricisti autorizzati. Lo scaldabagno deve essere collegato correttamente a massa all'impianto AC.



Pericolo!

Utilizzare sempre cavi, fusibili/interruttori e salvavita di dimensioni appropriate.



Avvertenza!

Non collegare la resistenza alla rete di alimentazione finché lo scaldabagno non è stato riempito d'acqua.



Avvertenza!

Ricordare che l'acqua nello scaldabagno presenta la stessa temperatura del motore. Pericolo di ustioni.

Attenzione!

Fare riferimento al capitolo 4.5 Collegamenti elettrici relativamente al rischio di corrosione attraverso il collegamento alla rete di alimentazione presente a terra.

Attenzione!

Seguire attentamente le istruzioni del produttore del motore per il collegamento all'impianto di raffreddamento del motore.

Ambiente:

Questo apparecchio è conforme alla Direttiva Europea 2002/96/CE sui Rifiuti di Apparecchiature Elettriche ed Elettroniche.

Smaltendo correttamente il prodotto è possibile contribuire a prevenire le potenziali conseguenze negative per l'ambiente e la salute dell'uomo derivanti dallo smaltimento inappropriato del prodotto.

Il simbolo sul prodotto o nella documentazione allegata indica che il presente apparecchio non deve essere smaltito come rifiuto solido urbano.

Al contrario, deve essere conferito a un centro di raccolta autorizzato per il riciclaggio dei componenti elettrici ed elettronici. Lo smaltimento deve essere effettuato in conformità alle norme ambientali locali.

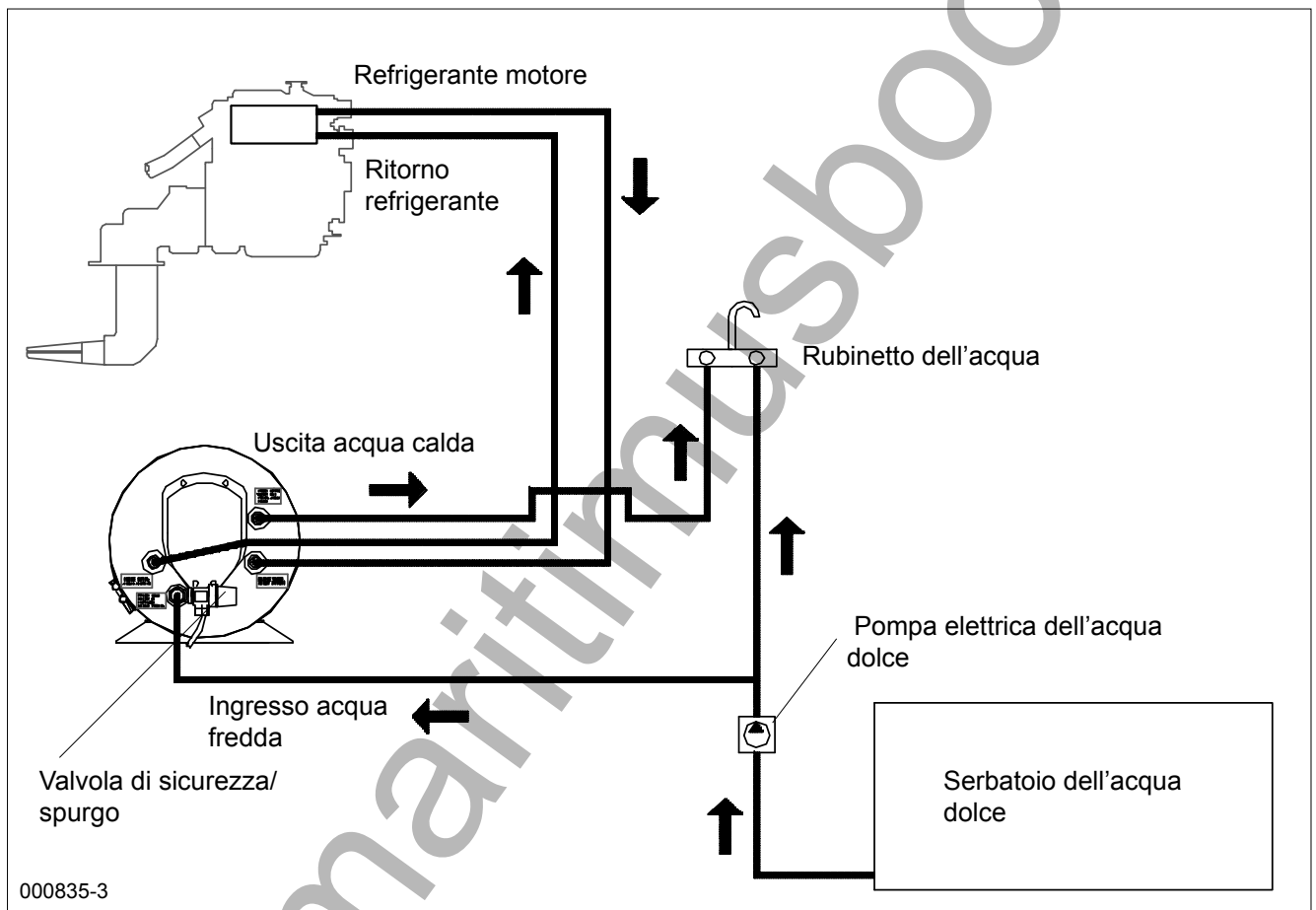
Per informazioni dettagliate su trattamento, recupero e riciclaggio del prodotto, rivolgersi alle autorità locali, all'ente di gestione dei rifiuti locale oppure al proprio rivenditore.

2. Posizionamento

Lo scaldabagno può essere posizionato in qualsiasi punto dell'imbarcazione, a condizione che i collegamenti dello scambiatore di calore del motore si trovino più in basso rispetto al serbatoio di espansione del motore (Fig. 1). È preferibile che i flessibili dello scambiatore di calore siano i più corti possibili per ridurre al minimo la resistenza allo scorrimento e le perdite di calore. In molte installazioni, lo scambiatore di calore dello scaldabagno è semplicemente collegato in serie al circuito di raffreddamento del motore. In alcune installazioni, è collegato in parallelo con un limitatore/ripartitore di flusso.

La scelta dipende dalle raccomandazioni specifiche di produttore del motore e/o installatore. Rivolgersi al produttore o rivenditore del motore per eventuali raccomandazioni in merito al collegamento dell'impianto di raffreddamento del motore. Qualora lo scaldabagno debba essere posizionato al di sopra del serbatoio di espansione del motore, il circuito del flessibile dell'acqua del motore deve essere dotato di una valvola di sfiato nel punto più alto, disponibile come accessorio.

Schema di collegamento principale



3. Montaggio

Gli scaldabagno Isotemp Basic, Slim e Slim Square sono progettati per assicurare le massime prestazioni sia in orizzontale che in verticale. La valvola di sicurezza/spurgo deve sempre trovarsi nel punto più basso. Le staffe di montaggio possono essere regolate a lato di Basic e Slim per il montaggio dello scaldabagno su una paratia. Montare sempre lo scaldabagno su una mensola o paratia adeguata **tenendo conto del peso dell'acqua.**

Vedere le posizioni di montaggio alternative in Fig. 2.

Slim Square può essere collocato in verticale, in orizzontale o nelle posizioni alternative illustrate in Fig. 7. La Fig. 3 mostra Basic, la Fig. 4 Basic con due bobine, la Fig. 5 Slim e la Fig. 6 i collegamenti dell'acqua di Slim Square. Si raccomanda di lasciare uno spazio libero di circa 30 cm davanti allo scaldabagno per agevolarne la manutenzione.

Isotemp Basic e Slim

Alternative di montaggio, orizzontale o verticale.

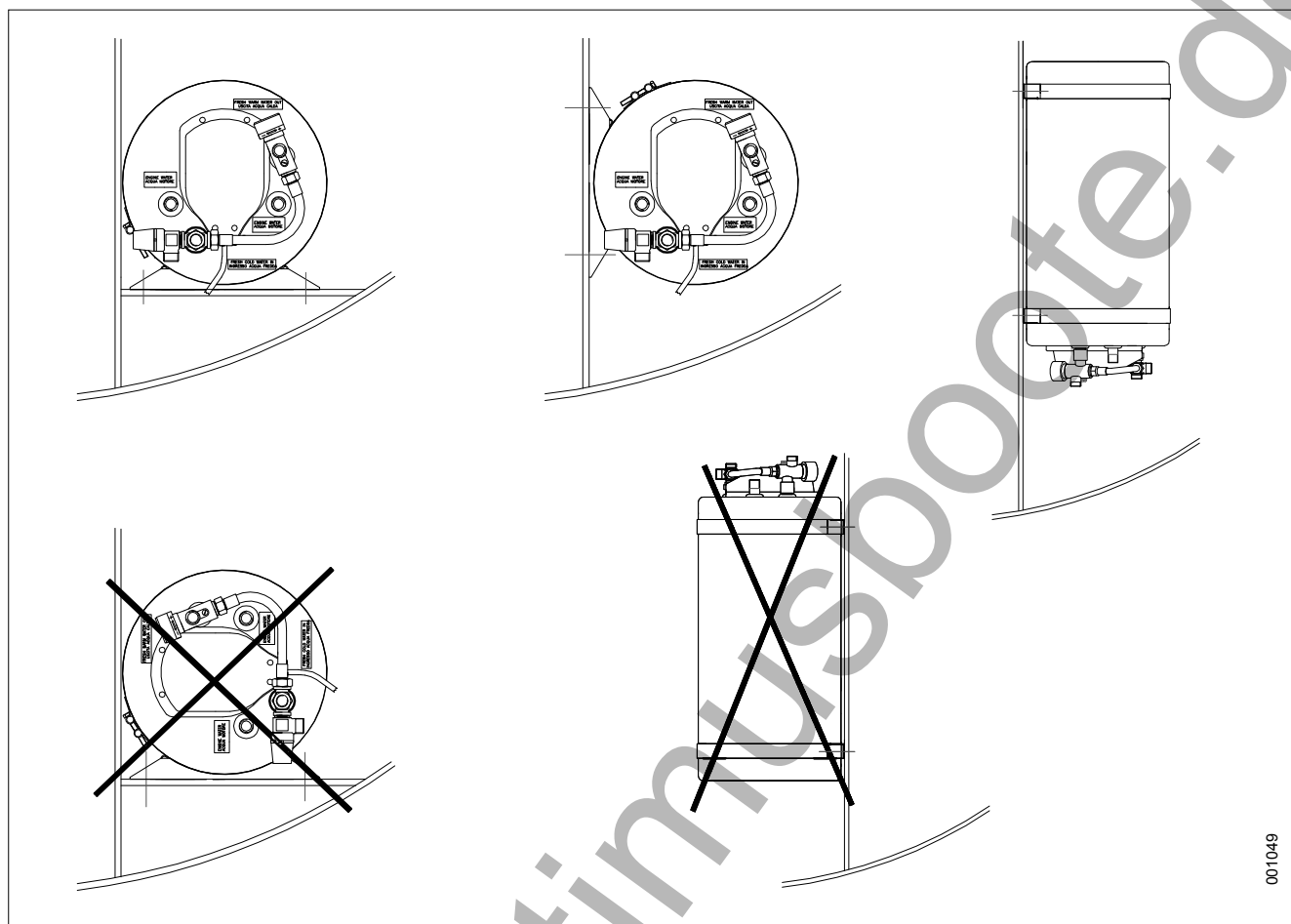


Fig. 2

Isotemp Basic senza e con miscelatore termostatico

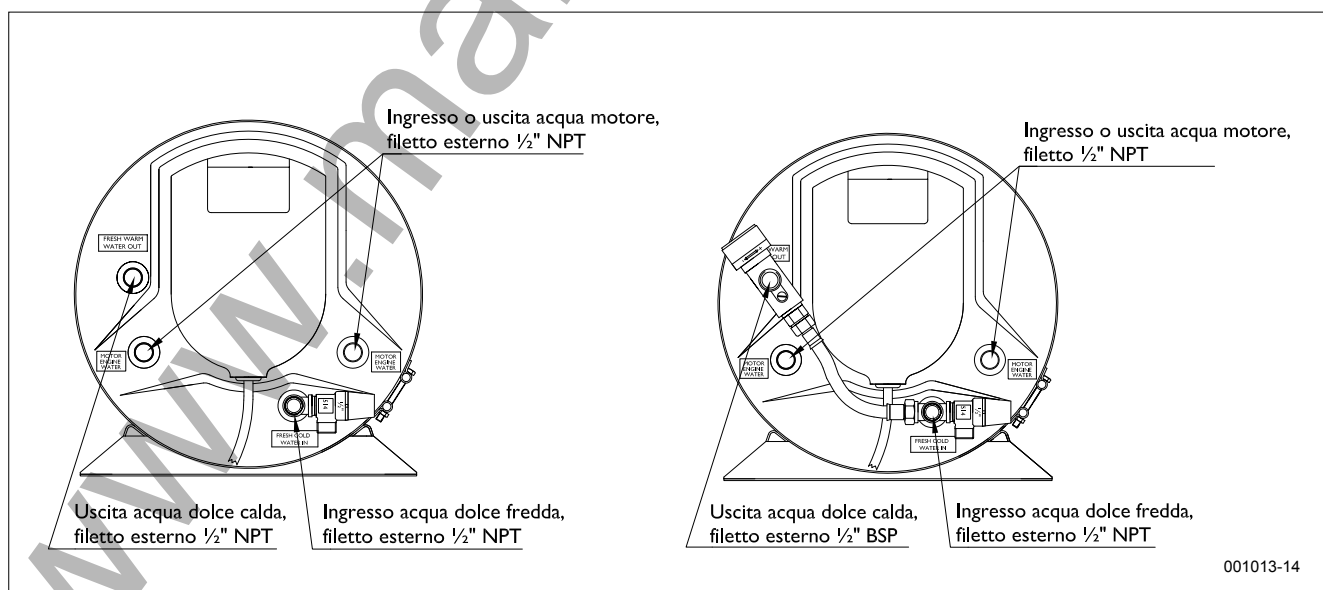


Fig. 3

Isotemp Basic con doppie bobine, senza e con miscelatore termostatico

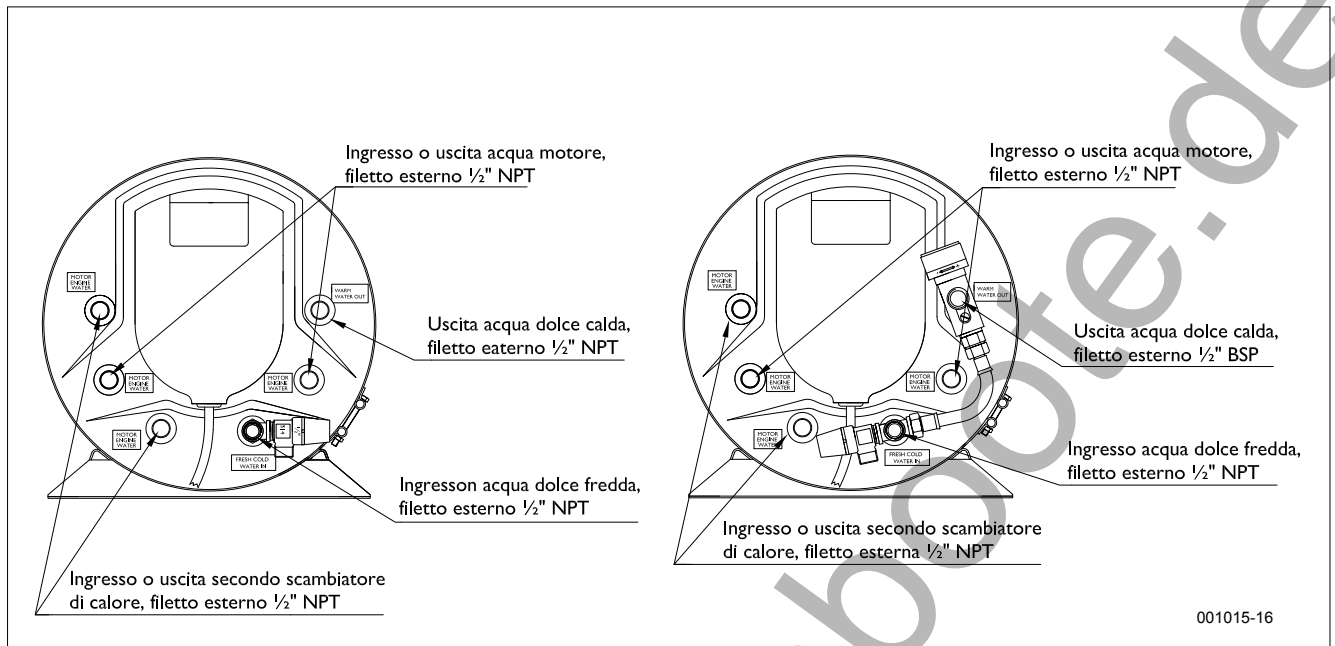


Fig. 4

Isotemp Slim senza e con miscelatore termostatico

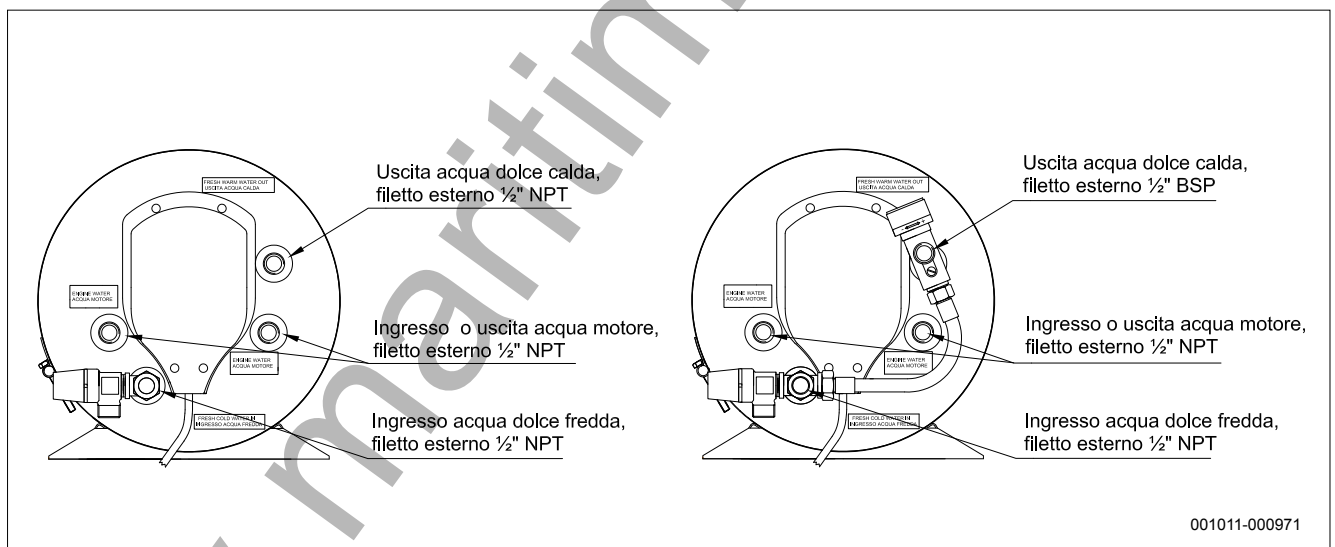


Fig. 5

Nota:

I raccordi per flessibili con filetti dritti 1/2" BSP possono essere utilizzati anche per i filetti esterni 1/2" NPT.

Slim Square senza e con miscelatore termostatico

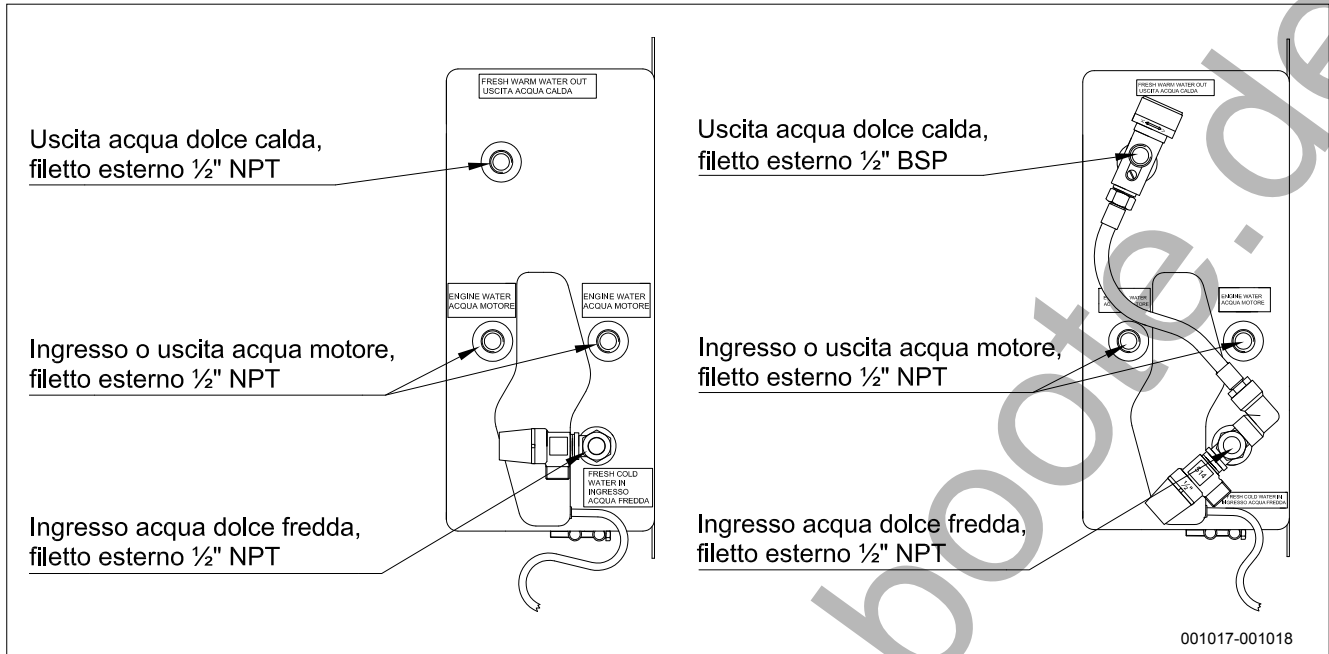


Fig. 6

Slim Square

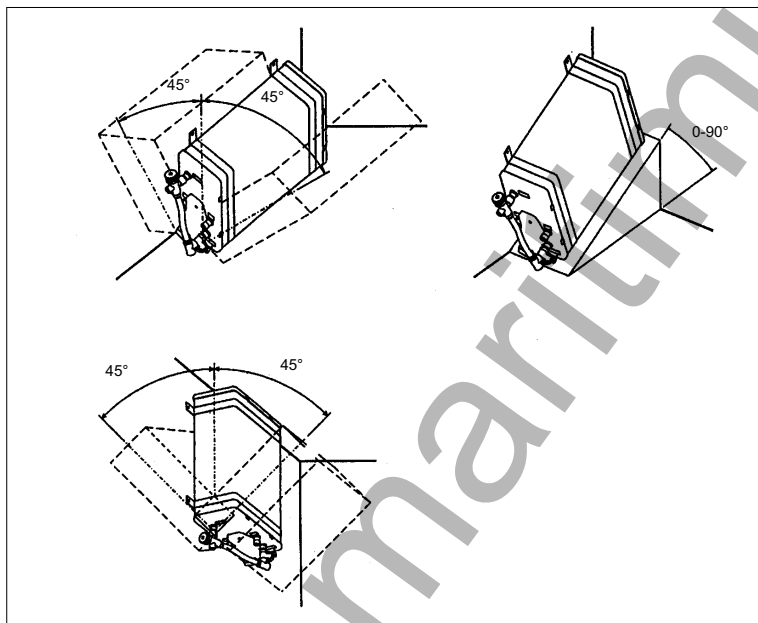


Fig. 7

Posizioni di montaggio alternative di Slim Square.

Nota: la valvola di sicurezza deve sempre trovarsi nel punto più basso.

4. Collegamenti

4.1 Materiale: Utilizzare esclusivamente raccordi e accessori in materiale resistente alla corrosione, ad es. ottone o acciaio inox. Evitare i raccordi in plastica, a meno che non siano appositamente progettati per temperature elevate. Infatti, una perdita in quest'area può provocare il surriscaldamento del motore o la fuoriuscita di acqua bollente.

4.2 Flessibili: Per i collegamenti al motore, utilizzare flessibili in gomma rinforzata resistenti al gelo e al

calore (100°C, omologati per una pressione di 5 bar. Per l'ingresso dell'acqua fredda e l'uscita dell'acqua calda, Fig. 7, utilizzare flessibili per acqua dolce resistenti al calore (approvati per uso alimentare), omologati per una pressione di 8 bar. Fissare accuratamente i flessibili con fascette stringitubo. Sigillare i raccordi filettati ad es. con Loctite 577 o Bondline T777.

I raccordi con filetto G1/2" (1/2" BSP) devono essere collegati ai connettori sullo scaldabagno.

4.3 Collegamenti al motore (vedere lo schema di collegamento, Fig. 1):

Lo scaldabagno può essere collegato a motori raffreddati con acqua dolce. La portata dell'acqua di raffreddamento dal motore allo scaldabagno deve essere almeno 2 litri/min. Se l'imbarcazione è dotata di due motori, collegare lo scaldabagno soltanto a uno di essi. In caso di montaggio di due scaldabagno, collegarli in parallelo. Per evitare strozzature, utilizzare flessibili e adattatori da almeno 16 mm (5/8"). Fare riferimento al manuale istruzioni del motore per i punti di collegamento dei flessibili.

In caso di utilizzo dello scaldabagno su piccoli motori, ad es. da 10-15 CV, può essere necessario ridurre la portata nello scaldabagno per assicurare la capacità di raffreddamento necessaria al motore.

4.4 Collegamenti dell'acqua dolce (vedere lo schema di collegamento, Fig. 1):

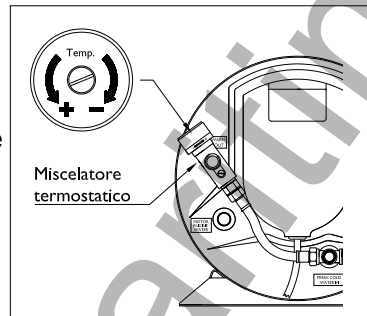
Lo scaldabagno viene alimentato con acqua dolce dalla pompa elettrica nell'impianto dell'acqua.

Pressione max di esercizio della pompa: 3,8 bar.

Nota: la valvola di scarico di sicurezza sullo scaldabagno è impostata su 7,0 bar. L'acqua dolce entra attraverso la valvola di sicurezza. L'uscita dell'acqua calda, che funge anche da sfiato per lo scaldabagno, deve essere collegata al miscelatore del lavabo/lavandino.

Avvertenza! Ricordare che l'acqua presenta la stessa temperatura del motore. Pericolo di ustioni! Miscelare l'acqua fredda con i miscelatori. Se lo scaldabagno è dotato di miscelatore termostatico è possibile impostare una temperatura dell'acqua calda adeguata per evitare il rischio di ustioni.

La temperatura può essere impostata tra 38 e 65°C.



Il flessibile di scarico dell'acqua deve sempre essere libero. Non deve essere collegato a valvole, raccordi passanti ecc. Lo scarico deve sempre essere libero. Durante il riscaldamento può sempre fuoriuscire una piccola quantità d'acqua dalla valvola di scarico in quanto l'acqua si espande. È una situazione normale e indica che il sistema funziona correttamente.

4.5 Collegamenti elettrici

Vedere lo schema elettrico, Fig. 8

Tutti i collegamenti interni sono effettuati in fabbrica. Il cavo di alimentazione è dotato di spina standard UE e deve essere collegato a una presa a muro adeguata. Il collegamento, come tutti quelli ad "alta tensione" a bordo, deve essere effettuato da un elettricista autorizzato in conformità alle norme di sicurezza vigenti. Lo scaldabagno è progettato in conformità a tutte le norme vigenti in materia. La rete di alimentazione presente a terra deve essere dotata di salvavita.

Prima di lasciare incustodita l'imbarcazione per un certo periodo di tempo, scollegare sempre il connettore del cavo dalla presa anche se è disinserita la rete di alimentazione presente a terra in quanto può sussistere una differenza di tensione tra le masse presenti a terra e sull'imbarcazione. Questo può provocare gravi danni allo scaldabagno oppure alla resistenza.

L'installazione di un trasformatore di isolamento nell'impianto di alimentazione elimina qualsiasi rischio di corrosione attraverso il collegamento a terra.

Scollegare sempre lo scaldabagno e/o disinserire tutti gli interruttori e scollegare i collegamenti a terra prima di rimuovere il coperchio del quadro elettrico. Il circuito elettrico è controllato da un termostato di servizio impostato su 75°C e da una doppia termica impostata su 96°C. In caso di scatto, la termica deve essere ripristinata manualmente premendo il piccolo pomello sopra la termica.

Vedere la sezione 6:2.

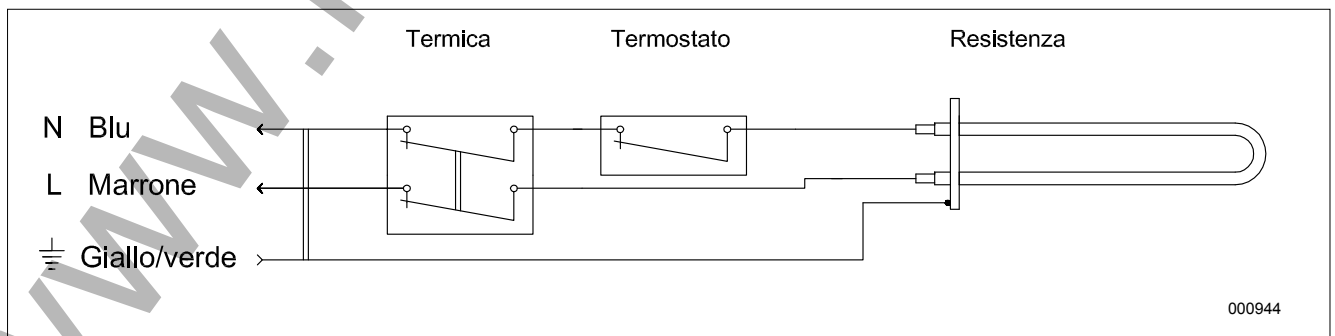


Fig. 8

5. Avviamento/prova

Riempire lo scaldabagno avviando la pompa dell'acqua e aprendo un rubinetto dell'acqua calda per consentire all'aria di fuoriuscire da flessibili e/o condutture.

Controllare la valvola di spurgo e scarico della pressione premendo la leva. L'acqua scorrerà attraverso il flessibile di scarico. Accertarsi che il flessibile di scarico non sia chiuso o intasato. Riportare la leva in posizione di chiusura. Avviare il

motore per controllare il ricircolo del refrigerante. Può essere necessario aggiungere refrigerante nell'impianto per compensare il volume aggiuntivo di scambiatore di calore e flessibili. Controllare che non vi siano sacche d'aria nei flessibili di collegamento; all'occorrenza, sollevarli e abbassarli per far uscire l'aria prima di fissarli in posizione. Collegare infine lo scaldabagno e inserire l'interruttore. Controllare che funzioni correttamente.

6. Manutenzione

6:1 Scarico invernale: qualora sussista il rischio di congelamento, lo scaldabagno deve essere spurgato.

A tal scopo, scollegare il flessibile dell'acqua calda o allentare la vite di sfiato sull'eventuale valvola di miscelazione. Sfiatare completamente l'aria, quindi aprire la valvola di scarico girando il pomello nero sulla valvola di sicurezza di uno scatto in senso antiorario. Richiudere la valvola girando il pomello di un altro scatto in senso antiorario.

Se il motore è raffreddato con acqua non trattata è necessario anche spurgare lo scambiatore di calore scollegando i flessibili e soffiando aria al loro interno. A questo punto, lo scaldabagno può rimanere montato sull'imbarcazione durante l'inverno. In caso di inutilizzo prolungato dell'imbarcazione, si raccomanda di scollegare il cavo di alimentazione per evitare danni conseguenti a eventuali sbalzi di tensione attraverso la rete di alimentazione presente a terra.

6:2 Sostituzione/reimpostazione del termostato:

Avvertenza: Disinserire prima l'alimentazione!

La resistenza a immersione è da 230 V - 750 W. Il gruppo termostato è costituito da un termostato di servizio incorporato e da una doppia termica che deve essere ripristinata manualmente premendo il pomello sopra la termica.

(Vedere Fig. 10). Prima di ricollegare l'alimentazione, verificare la causa di scatto della termica.

Disinserire l'alimentazione! Scollegare il cavo. Estrarre il coperchio anteriore in plastica (Basic e Slim 4 viti, Square 3 viti).

Ripristinare la termica.

Sostituzione dei termostati: Scollegare i cavi annotandone le rispettive posizioni. I terminali del sensore del termostato sono inseriti in un tubo sulla flangia di fissaggio della resistenza. Estrarli. Svitare le viti di fissaggio dei termostati. Montare i nuovi termostati nell'ordine inverso. Accertarsi che i terminali del sensore siano inseriti correttamente nel tubo.

In caso di inutilizzo prolungato dell'imbarcazione, si raccomanda di scollegare il cavo di alimentazione anche se è disinserita la rete di alimentazione presente a terra in quanto può sussistere una differenza di tensione tra le masse presenti a terra e sull'imbarcazione. Questo può provocare gravi danni allo scaldabagno e/o al sistema di propulsione del motore.

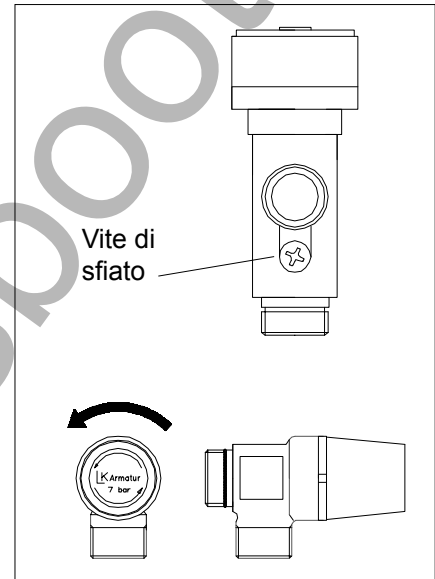


Fig. 9

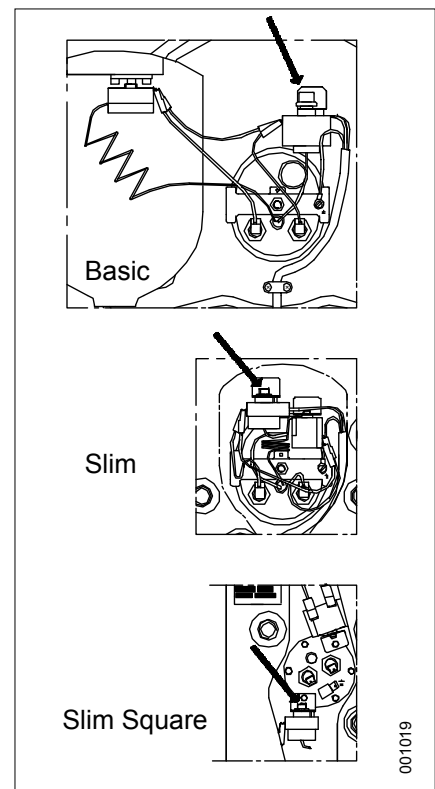


Fig. 10

6:3 Sostituzione della resistenza:

**Avvertenza! Disinserire prima l'alimentazione!
Spurgare l'acqua dallo scaldabagno.**

Basic e Slim

Estrarre il coperchio in plastica, svitare le due viti ai lati e premere il coperchio verso il basso. Smontare il termostato e la termica dalle rispettive staffe per agevolare l'accesso sul modello Slim.

Sul modello Basic, possono essere lasciati in posizione durante l'operazione.

Estrarre i cavi dalle linguette della resistenza.

Allentare il dado centrale, Fig. 11-A, ed estrarre il supporto, Fig. 11-B. Riavvitare il dado sul bullone centrale per agevolare l'operazione.

Premere la flangia di montaggio e la guarnizione in gomma verso l'interno, usciranno insieme al gruppo resistenza. Girare il gruppo resistenza di 90° verso sinistra, le linguette dovranno trovarsi sul lato destro.

Girare il gruppo finché l'estremità interna non urta lo

scaldabagno sul lato sinistro. Estrarre prima la resistenza attraverso il foro sul lato sinistro.

Svitare la resistenza dalla flangia di montaggio. Montare la nuova resistenza con nuovi anelli di tenuta e una nuova guarnizione grande in gomma procedendo nell'ordine inverso. L'estremità interna della resistenza deve puntare leggermente verso il basso dopo il montaggio.

Slim Square

Sul modello Square, il gruppo resistenza è fissato con 6 viti su una flangia nello scaldabagno.

Inoltre, è dotato di una guarnizione in gomma. Vedere Fig. 11.

Estrarre innanzitutto i cavi dalle linguette della resistenza.

Allentare le 6 viti, quindi estrarre il gruppo resistenza con la flangia. Notare la posizione della flangia. La resistenza è fissata alla flangia con dadi. Svitare la resistenza dalla flangia di montaggio. Montare la nuova resistenza con nuovi anelli di tenuta e una nuova guarnizione grande in gomma nella stessa posizione.

7. Doppio scambiatore di calore, Basic 40 e 75 litri.

Gli scaldabagno con doppio scambiatore di calore sono dotati di collegamenti standard per il secondo scambiatore di calore situati anch'essi sul lato anteriore.

Vedere Fig. 4.

La sostituzione della resistenza si effettua come descritto sopra.

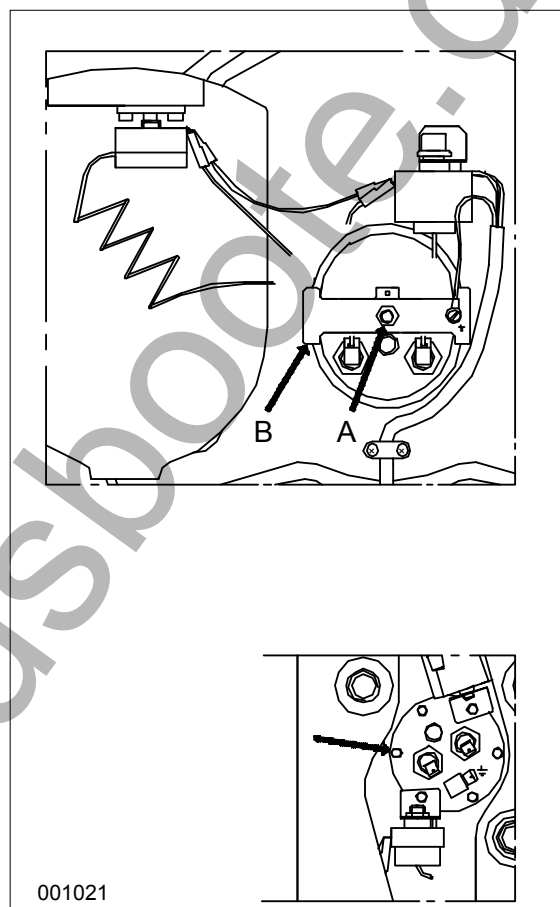


Fig. 11

8. Dati tecnici

8.1 Basic

Tipo	Volume litri	Peso kg	Resistenza	Opzioni resistenza	Miscelatore termostatico
602431B000000	24	14	230V-750W	115V-750W	-
602431B000003	24	14	230V-750W	115V-750W	X
603031B000000	30	17	230V-750W	115V-750W	-
603031B000003	30	17	230V-750W	115V-750W	X
604031B000000	40	20	230V-750W	115V-750W 230V-1200W	-
604031B000003	40	20	230V-750W	115V-750W 230V-1200W	X
604031BD00000 (Doppie bobine)	40	22	230V-750W	115V-750W 230V-1200W	-
604031BD00003 (Doppie bobine)	40	22	230V-750W	115V-750W 230V-1200W	X
605031B000000	50	23	230V-750W	115V-750W 230V-1200W 230V-2000W	-
605031B000003	50	23	230V-750W	115V-750W 230V-1200W 230V-2000W	X
607531B000000	75	29	230V-750W	115V-750W 230V-1200W 230V-2000W 230V-3000W	-
607531B000003	75	29	230V-750W	115V-750W 230V-1200W 230V-2000W 230V-3000W	X
607531BD00000 (Doppie bobine)	75	31	230V-750W	115V-750W 230V-1200W 230V-2000W 230V-3000W	-
607531BD00003 (Doppie bobine)	75	31	230V-750W	115V-750W 230V-1200W 230V-2000W 230V-3000W	X

Dimensioni:

Vedere fig 12

Materiale:

Bobina, serbatoio e raccordi dello scambiatore di calore: acciaio inox AISI 316.
Coperchio esterno e staffe di montaggio: Acciaio inox AISI 304

Resistenza:

Rame nichelato

Isolamento:

Poliuretano

Valvola di sicurezza:

7 bar

Dimensioni, Basic

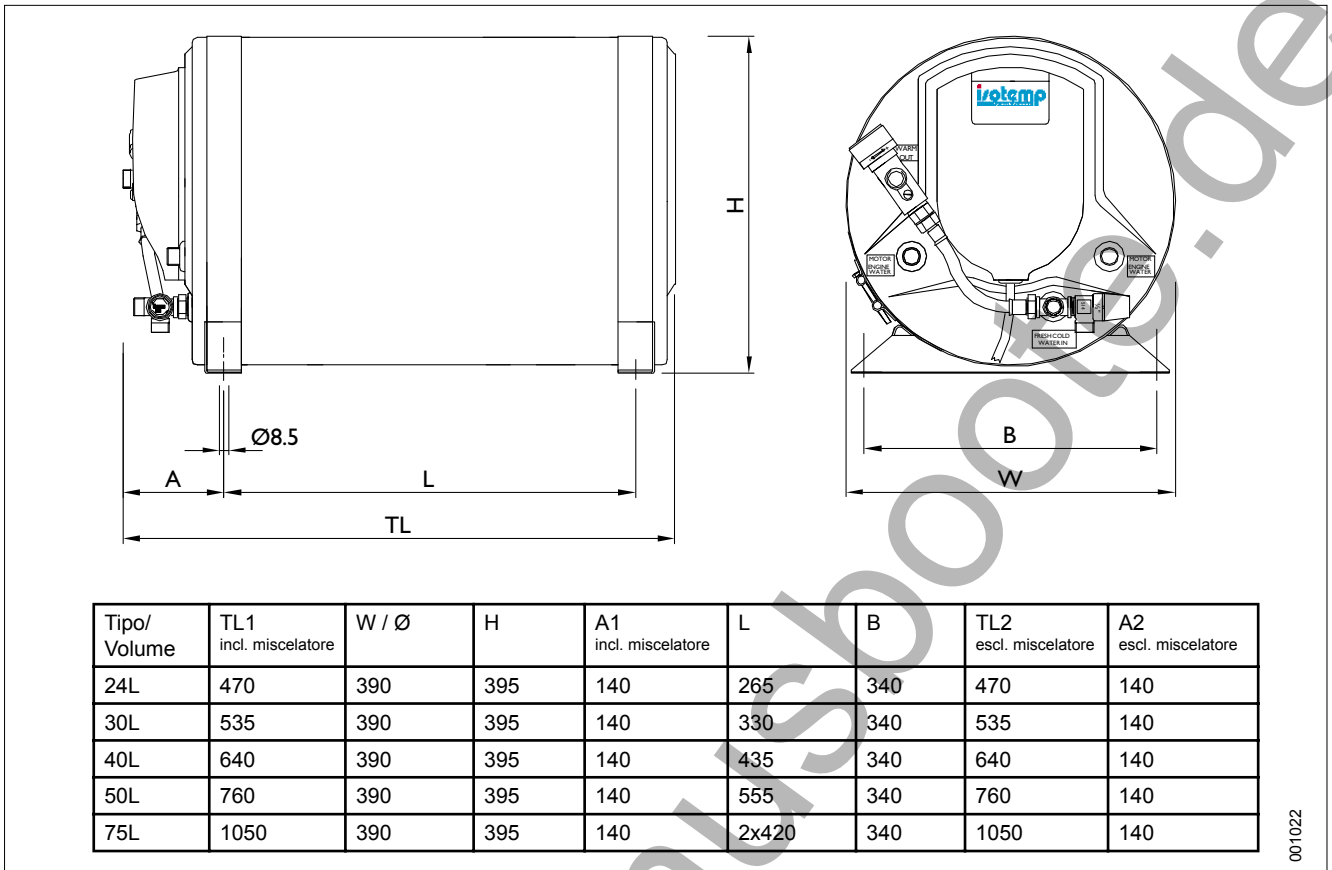


Fig. 12

8.2 Slim/B

Tipo	Volume litri	Peso kg	Resistenza	Opzioni resistenza	Miscelatore termostatico
601531S000000	15	10.5	230V-750W	115V-750W	-
601531S000003	15	10.5	230V-750W	115V-750W	X
602031S0000000	20	12	230V-750W	115V-750W	-
602031S000003	20	12	230V-750W	115V-750W	X
602531S0000000	25	13.5	230V-750W	115V-750W	
602531S000003	25	13.5	230V-750W	115V-750W	X

Dimensioni:

Vedere fig 13

Materiale:

Bobina, serbatoio e raccordi dello scambiatore di calore: acciaio inox AISI 316
Coperchio esterno e staffe di montaggio: Acciaio inox AISI 304

Resistenza:

Rame nichelato

Insolamento:

Poliuretano

Valvola di sicurezza:

7 bar

Dimensioni, Slim/B

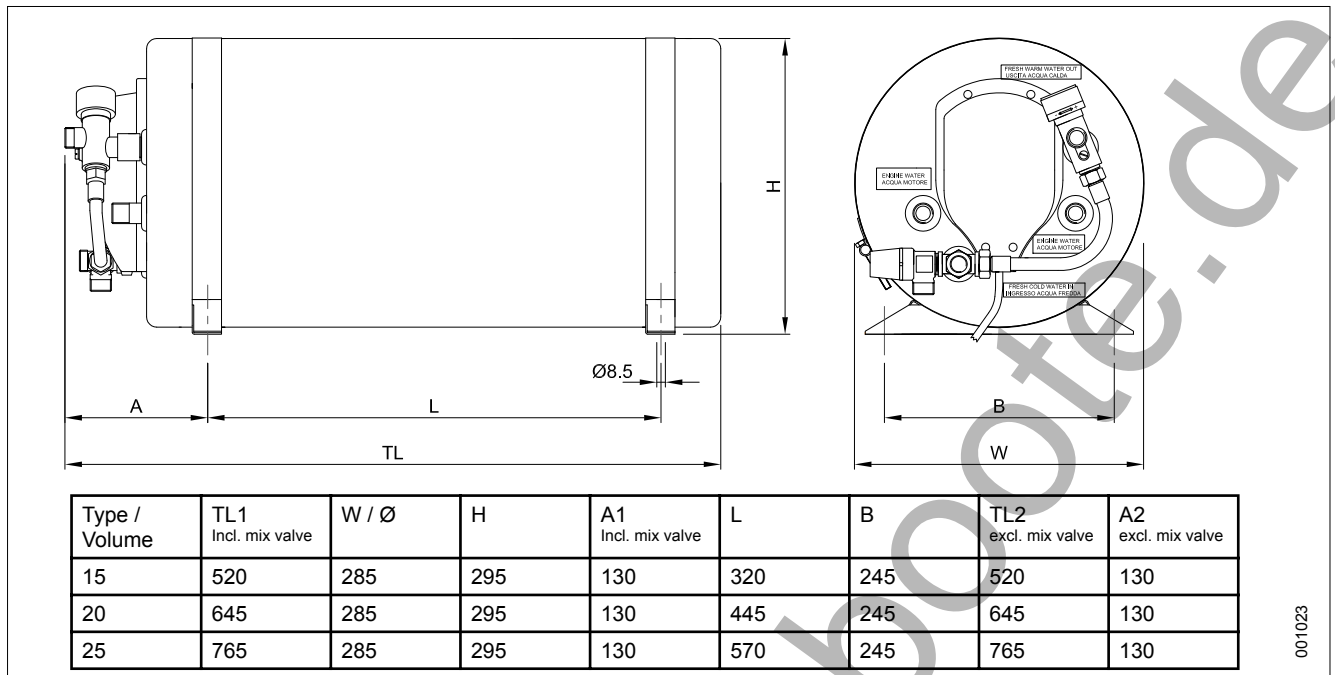


Fig. 13

8.3 Slim Square

Tipo	Volume litri	Peso kg	Resistenza	Opzioni resistenza	Miscelatore termostatico
601631Q000000	16	16	230V-750W	115V-750W	-
601631Q000003	16	16	230V-750W	115V-750W	X

Dimensioni: Vedere fig 14
 Materiale: Bobina, serbatoio e raccordi dello scambiatore di calore: acciaio inox AISI 316
 Coperchio esterno e staffe di montaggio: Acciaio inox AISI 304
 Resistenza: Rame nichelato
 Isolamento: Poliuretano
 Valvola di sicurezza: 5.5 bar

Dimensioni, Slim Square

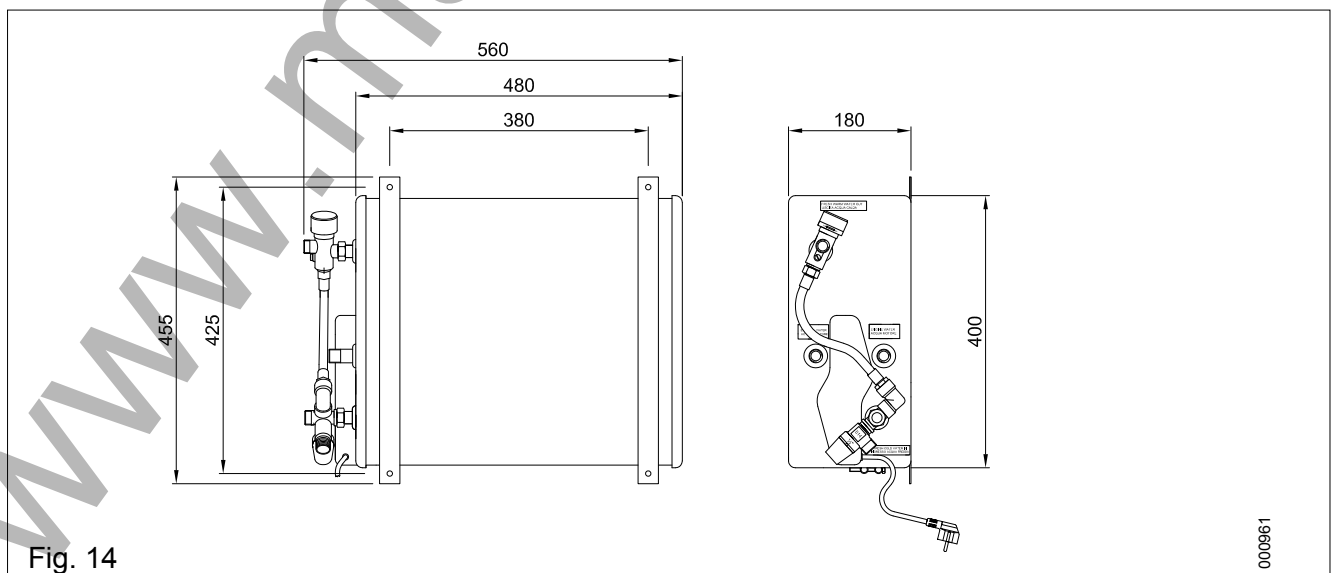


Fig. 14

Inhaltsverzeichnis

1. Sicherheitsanweisungen
2. Platzierung des Warmwasserbereiters
3. Montage
4. Anschlüsse
 - 4.1 Material
 - 4.2 Schläuche
 - 4.3 Anschluss an den Motor
 - 4.4 Frischwassersystem
 - 4.5 Elektroanschlüsse
5. Anlauf / Probelauf
6. Wartung
 - 6.1 Winterentleerung
 - 6.2 Austausch von Thermostaten
 - 6.3 Austausch von Heizstäben
7. Doppelter Motorwasser-Wärmetauscher
8. Technische Daten
 - 8.1 Basic
 - 8.2 Slim/B
 - 8.3 Slim Square

1 - Sicherheitsanweisungen

Diese Bedienungsanweisung wurde als Anleitung zu einer sicheren Anwendung dieses Warmwasserbereiters zusammengestellt. Sie enthält Informationen zur Anwendung und Wartung.

Bitte lesen Sie die Bedienungsanweisung gründlich durch, damit Sie das Produkt gut kennen lernen, und verwahren Sie die Anweisung an einem geeigneten Platz an Bord.

Es ist wichtig, dass der Warmwasserbereiter richtig montiert und gepflegt wird. Im Winter, wenn der Warmwasserbereiter nicht benutzt wird, muss das Frischwasser sorgfältig entleert werden, um Gefrierschäden an Tank und Ventilen zu vermeiden. Jeder Warmwasserbereiter wird vor Lieferung in der Herstellung getestet und hat zwei Jahre Werksgarantie auf Material- und/oder Herstellungsfehler.

Indel Marine S.r.l. übernimmt keine Haftung für Schäden am Produkt oder Personenschäden, die aufgrund unsachgemäßer Installation oder Handhabung entstehen.



Gefahr!

Sämtliche 230 V Elektroinstallationen an Bord müssen von befugtem Personal ausgeführt werden. Der Warmwasserbereiter ist an eine Schutzerdung anzuschließen.



Gefahr!

Verwenden Sie immer die richtigen Kabelmaße, richtig ausgelegte Sicherheitsausrüstungen und Fehlerstrom-schutzschalter.



Warnung!

Schließen Sie den Heizstab des Warmwasserbereiters nicht an das Netz an, bevor das Gerät mit Wasser gefüllt ist.



Warnung!

Das Wasser im Warmwasserbereiter wird ebenso warm wie der Motor – Verbrühungsgefahr!

Achtung!

Lesen Sie das Kapitel 4.5 über Korrosionsgefahr bei Landstromanschluss gründlich.

Achtung!


Befolgen Sie sorgfältig die Empfehlungen des Motorherstellers zum Anschluss des Warmwasserbereiters an das Kühlsystem des Motors.

Umwelt:

Dieses Produkt ist gemäß der EG-Direktive 2002/96/EEC für elektrischen und elektronischen Abfall gekennzeichnet (Waste Electrical and Electronic Equipment, WEEE).

Indem Sie eine korrekte Entsorgung dieses Produkts sicherstellen, tragen Sie zur Verhinderung von möglichen negativen Konsequenzen für unsere Umwelt und unsere Gesundheit bei, die bei nicht sachgerechter Handhabung des Produkts entstehen könnten.



Das Symbol  auf dem Produkt oder in der mitgelieferten Dokumentation zeigt an, dass dieses Produkt nicht als gewöhnlicher Haushaltsabfall behandelt werden darf. Stattdessen ist es in einer geeigneten Sammelstelle zur Wiederaufbereitung von elektrischer und elektronischer Ausrüstung abzugeben.

Das Produkt muss gemäß den örtlichen Umweltbestimmungen zur Abfallentsorgung entsorgt werden.

Für weitere Informationen zur Handhabung, Rückgewinnung und Wiederverwertung dieses Produktes wenden Sie sich bitte an die örtlichen Behörden, das örtliche Entsorgungsunternehmen oder das Geschäft, in dem Sie das Produkt erworben haben.

2. Platzierung des Warmwasserbereiters

Der Warmwasserbereiter kann überall im Boot platziert werden, solange er so montiert ist, dass der Motorwasser-Wärmetauscher nicht höher liegt als das Expansionsgefäß des Motors (Abb.1). Es ist von Vorteil, wenn die Schläuche zwischen Motor und Warmwasserbereiter so kurz wie möglich sind, um Wärmeverlust und Strömungswiderstand zu minimieren. Der Wärmetauscher des Warmwasserbereiters kann entweder parallel oder in Reihe zum Kühlwasserkreislauf des Motors angeschlossen werden.

Die Wahl ist abhängig von der Angabe des Motorherstellers dazu, wie der Warmwasserbereiter angeschlossen werden soll.

Wenden Sie sich bitte an den Motorhersteller oder dessen Repräsentanten für Empfehlungen zu Montage und Anschluss von Motorwasserschläuchen an Motor und Warmwasserbereiter.

Falls der Warmwasserbereiter höher als das Expansionsgefäß des Motors platziert werden muss, müssen die Motorwasserschläuche am höchsten Punkt mit einem Entlüftungsnippel versehen sein, damit das System effektiv entlüftet werden kann. Diese Ausrüstung ist als Zubehör erhältlich.

Anschlußschema

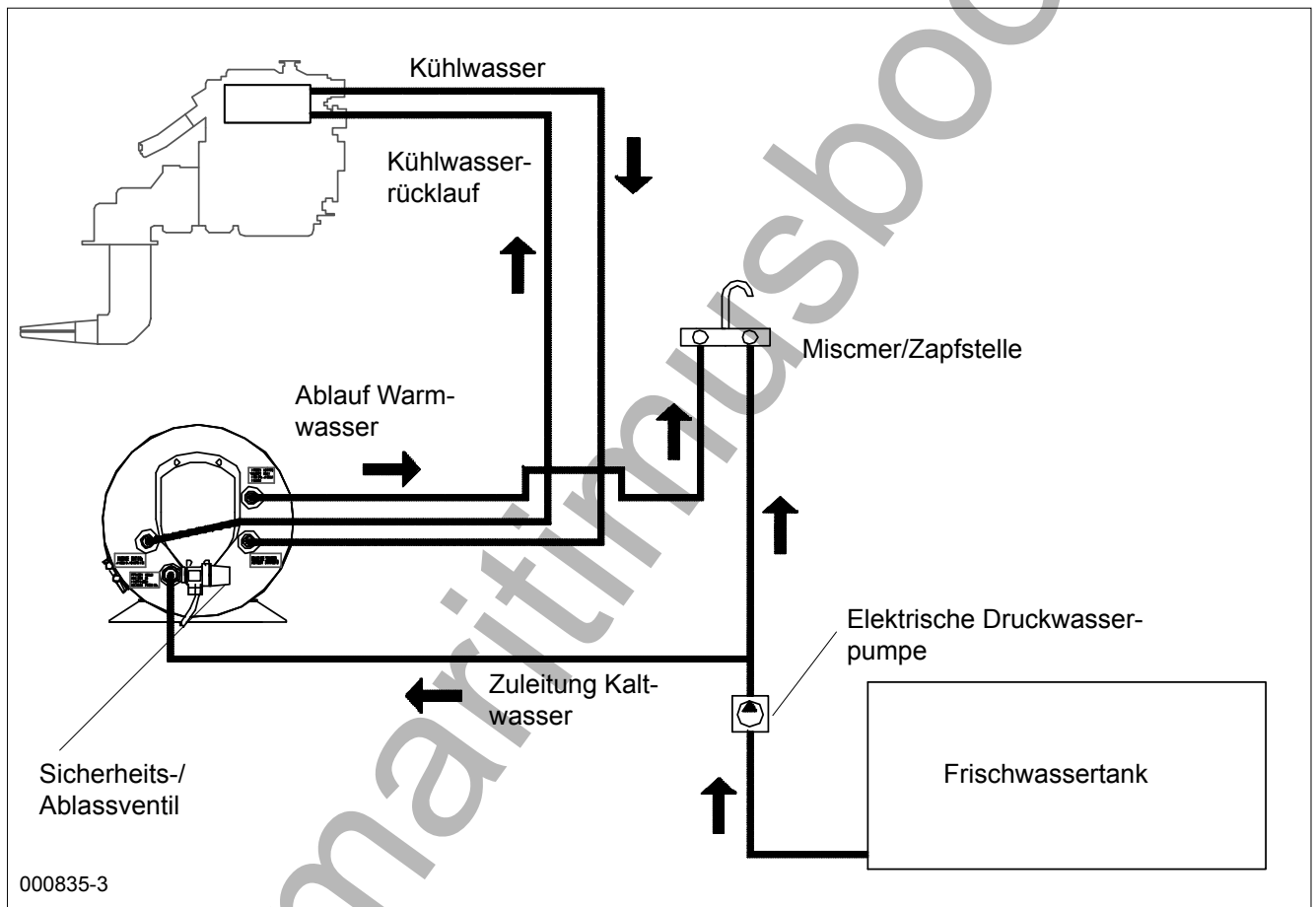


Abb. 1

3. Montage

Isotemp Basic, Slim & Slim Square sind so gestaltet, dass sie waagrecht oder senkrecht montiert werden können, sicher verankert in ihren Haltefüßen. Sie sind immer mit den Anschlüssen nach unten gerichtet anzubringen, damit der Warmwasserbereiter entleert werden kann. Bei Basic und Slim lassen sich die Füße um das Gerät drehen, um die Montage auch an einem Schott zu erleichtern. Das Gerät ist immer so zu montieren, dass das Sicherheitsventil mit Entleerfunktion den niedrigsten Punkt des Warmwasserbereiters darstellt.

Denken Sie daran, dass sich das Gewicht des Gerätes erhöht, wenn Wasser eingefüllt ist. Montieren Sie den Warmwasserbereiter so, dass vor bzw. unter dem Gerät ausreichend Platz für Servicearbeiten ist, wie Austausch von Heizstab, Thermostaten usw. Siehe Abb. 2. Slim Square kann stehen, liegen oder in alle möglichen Positionen gedreht werden, wie in Abb. 7 zu sehen ist.

Abb. 3 zeigt die Wasseranschlüsse am Basic, Abb. 4 Basic mit doppeltem Wärmetauscher, Abb. 5 Slim und Abb. 6 Slim Square.

Es sollten mindestens 30 cm vor / unter dem Gerät frei gehalten werden, um den Service zu erleichtern. 3

Isotemp Basic & Slim

Montagemöglichkeiten, waagrecht oder senkrecht.

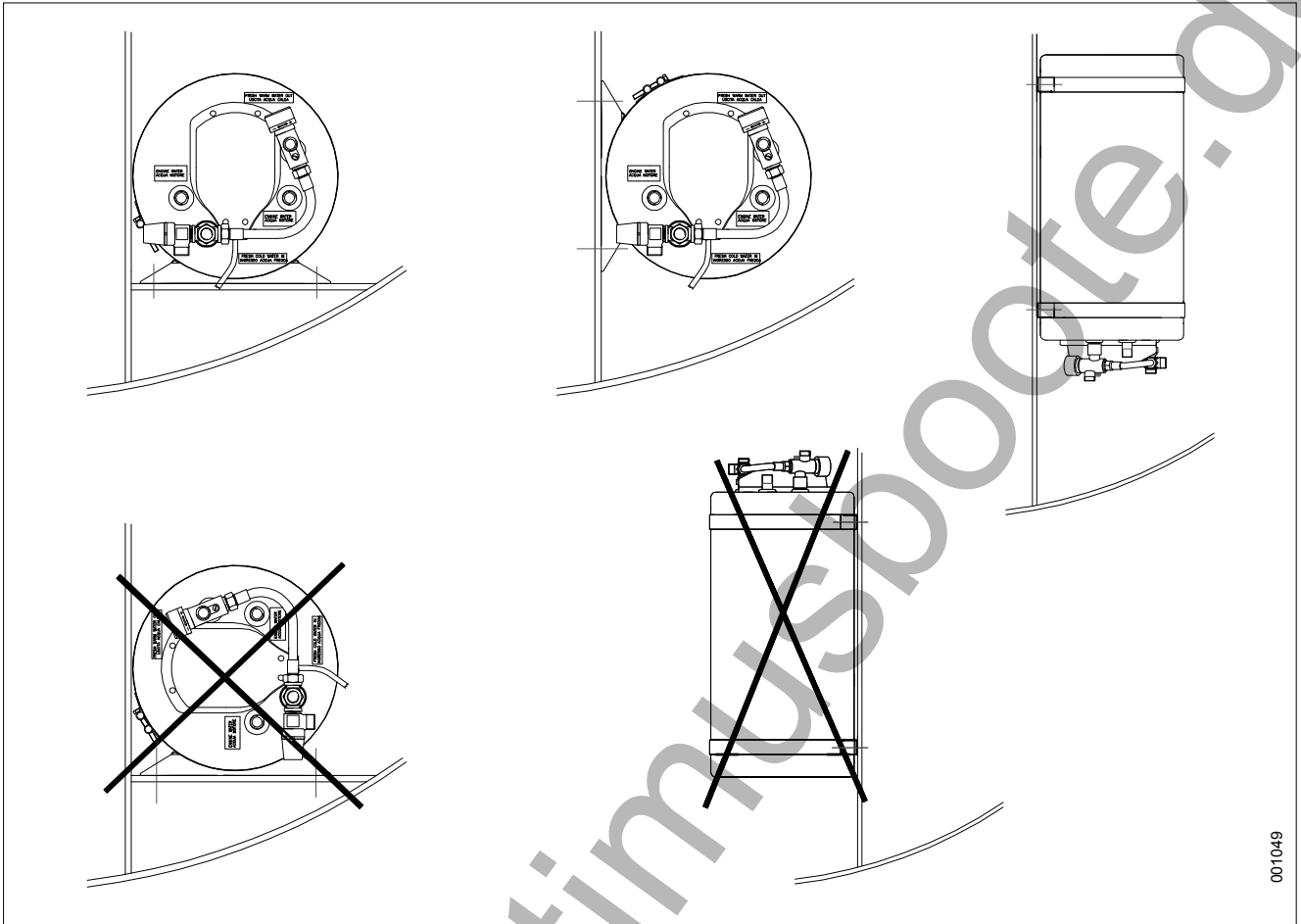


Abb. 2

Isotemp Basic ohne und mit Thermostatmischer

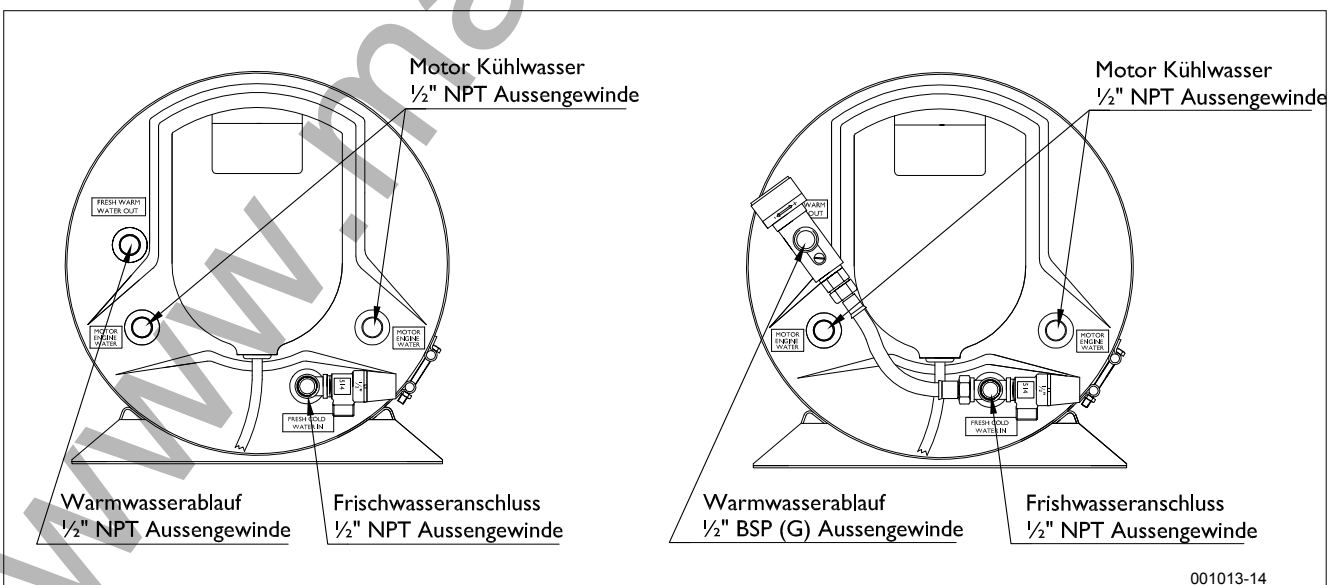


Abb. 3

Isotemp Basic mit doppeltem Motorwasser-Wärmetauscher,
ohne und mit Thermostatmischer

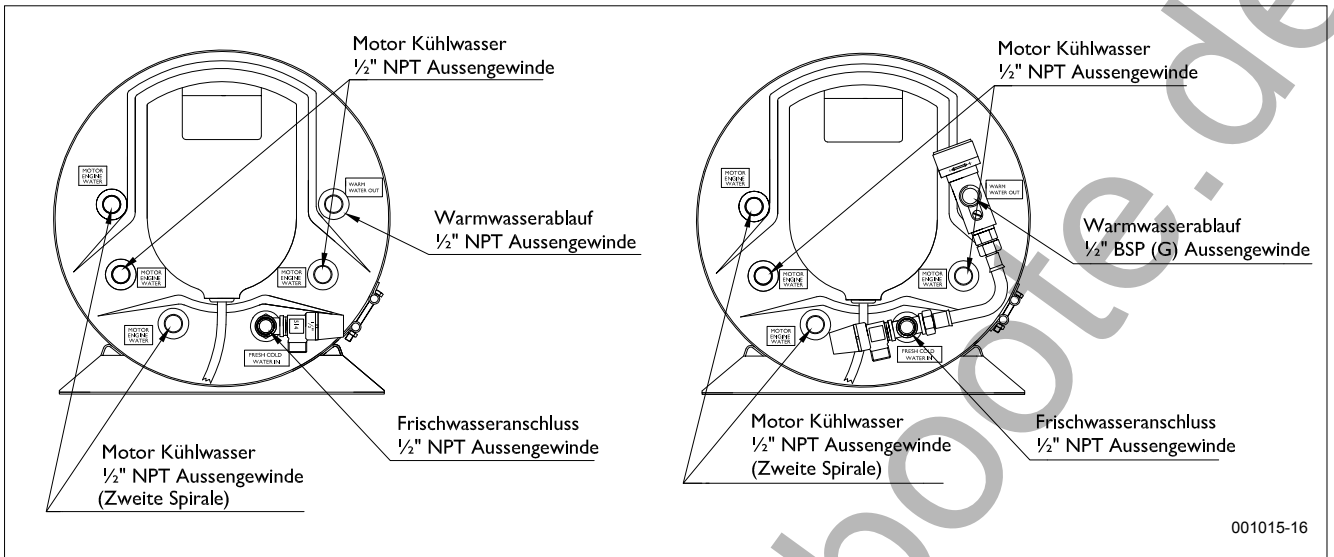


Abb.4

Isotemp Slim ohne und mit Thermostatmischer

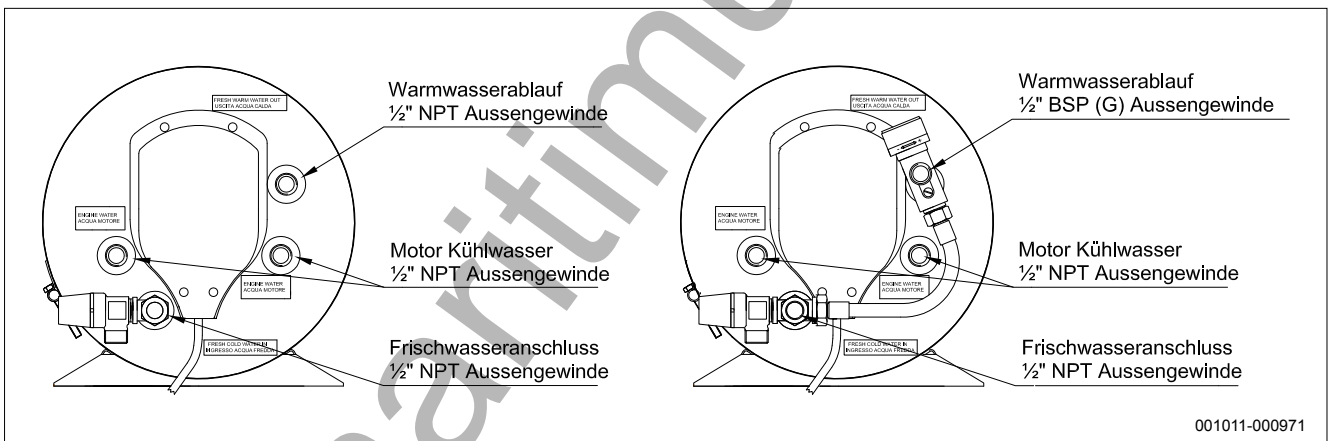


Abb. 5

Bemerkten:

Schlauchanschlusstüllen mit gerade G1/2" (BSP) Gewinde passen zusammen mit konische 1/2" NPT Gewinde.

Slim Square ohne und mit Thermostatischer

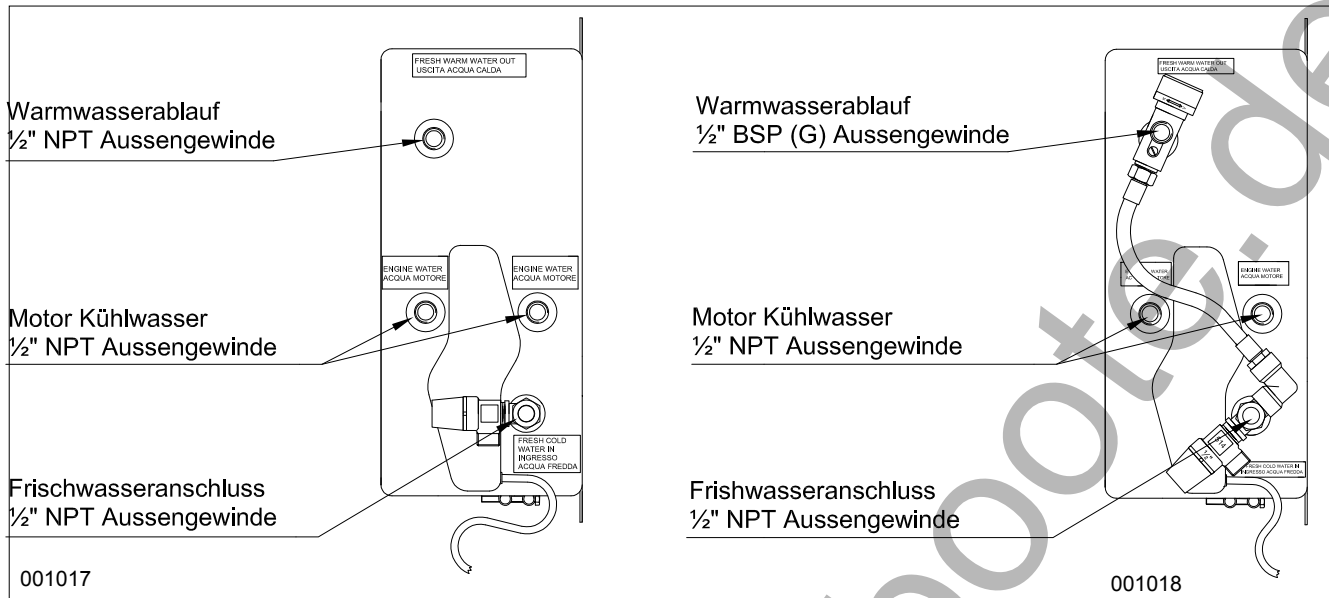


Abb. 6

Slim Square

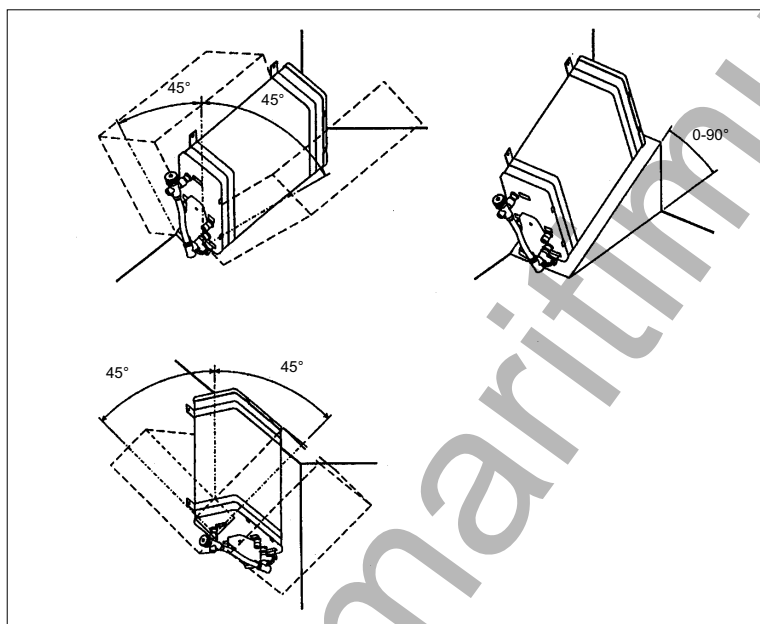


Abb. 7

Slim Square Alternative Montagepositionen. Denken Sie daran, dass das Sicherheitsventil mit seiner Entleerungsfunktion immer den niedrigsten Punkt des Warmwasserbereiters darstellen muss.

4. Wasseranschlüsse

4.1 Material: Verwenden Sie nur Nippel, Rohrkrümmer usw. aus rostbeständigem Material, wie Messing oder Edelstahl. Ein Nippelsatz für die Schlauchanschlüsse ist als Zubehör erhältlich.

Kunststoffnippel sollten aus Festigkeitsgründen vermieden werden. Bei einem plötzlichen großen Leck kann die Motorkühlung ausbleiben und heißes Wasser verspritzt werden.

4.2 Schläuche: Verwenden Sie für die Kühlflüssigkeitsschläuche nur wärmebeständige (mind. 100°C), gewebeverstärkte Gummischläuche, die resistent gegen Kühlflüssigkeit sind und 5 bar Druck

standhalten. Für die Frischwasseranschlüsse müssen Schläuche verwendet werden, die wärmebeständig sind, 8 bar Druck standhalten und keinen Geschmack abgeben (Lebensmittelqualität). Dies gilt auch für die Kaltwasserzuleitung.

Alle Schläuche werden sorgfältig mit Schlauchklemmen gesichert.

Anschlüsse mit Gewinde werden mit einer Gewindedichtung/Versiegelung vom Typ Loctite 577, Bondline T 777 oder ähnlichem abgedichtet. Schlauchnippel mit Gewinde G $\frac{1}{2}$ " (1/2" BSP) passen auf die Gewindeanschlüsse des Warmwasserbereiters.

4.3 Motoranschlüsse (siehe Anschlusschema, Abb. 1):

Die Warmwasserbereiter sind für den Anschluss an Motoren mit Frischwasserkühlung vorgesehen.

Folgen Sie den Angaben des Motorherstellers zu geeigneten Ausgängen am Kühlsystem des Motors, an denen die Schlauchnippel montiert werden sollen. Die Ausgänge müssen über einen solchen Druckunterschied verfügen, dass die Kühlwasserzirkulation zum Warmwasserbereiter ausreichend ist (mind. 2 L/min). Wenn das Boot zwei Motoren hat, wird der Warmwasserbereiter an einen von ihnen angeschlossen. Wenn zwei Warmwasserbereiter montiert werden, werden diese parallel angeschlossen. Schläuche, Nippel und Rohre dürfen nicht schwächer dimensioniert sein als die Anschlüsse des Warmwasserbereiters (16 mm / 5/8"), um Drosselungen zu verhindern.

Beim Anschluss an kleine Dieselmotoren von 10-15 PS kann es jedoch notwendig sein, die Durchflussmenge durch den Warmwasserbereiter zu verringern, um die Kühlkapazität des Motors beizubehalten.

4.4 Frischwasseranschluss (siehe Anschlusschema, Abb. 1):

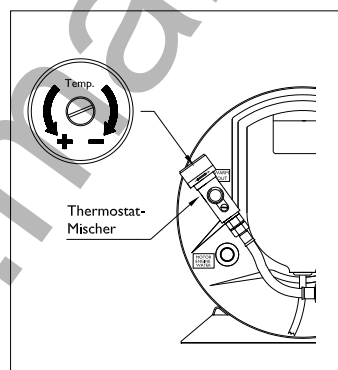
Der Warmwasserbereiter ist so anzuschließen, dass er von einer elektrischen Druckwasserpumpe mit Frischwasser vom Wassertank versorgt wird. Die elektrische Druckwasserpumpe darf maximal 3,8 bar Druck erzeugen (2,9 bar für Slim Square), wobei eine Pumpe mit mehreren Membranen einen gleichmäßigeren Förderstrom und weniger Druckstöße erzeugt.

Bei höherem Druck löst das Sicherheitsventil beim Erwärmen des Wassers eventuell bei 7,0 bar aus, beziehungsweise bei 5,5 bar für Slim Square.

Der Warmwasserablauf, der auch den Warmwasserbereiter entlüftet, sollte am jeweiligen Spülbecken an Mischhähne angeschlossen werden, damit immer Kaltwasser zum Erreichen der geeigneten

Temperatur zugemischt werden kann.

Warnung! Denken Sie daran, dass das Wasser Motortemperatur hält – Verbrühungsgefahr!



Stellen Sie eine geeignete Temperatur, zwischen 38 und 65°C, am Thermostatmischer des Warmwasserbereiters ein, wenn ein solcher montiert ist.

Wenn ein Schlauchnippel mit Schlauch am Ablauf des Sicherheitsventils, G1/2", montiert wird, muss auch dieser wärmebeständig sein und mit einer Schlauchklemme fixiert werden. Der Schlauch muss immer einen freien Ablauf haben und darf nicht an einen Hahn oder eine Borddurchführung angeschlossen werden. Beim Erwärmen dehnt sich das Wasser aus, und eine kleinere Menge kann durch den Ablauf des Sicherheitsventils austreten. Dies ist normal.

4.5 Elektroanschlüsse

Siehe Schema Abb. 8

Alle Anschlüsse sind fertig zum Heizstab des Warmwasserbereiters verlegt, und dieser ist mit einem Kabel und einem geerdeten Stecker versehen. Das kurze Kabel markiert, dass sich die Wandsteckdose direkt im Anschluss an den Warmwasserbereiter befinden sollte. Die Wandsteckdose wird mit Doppelsicherung und Fehlerstromschutzschalter an die Landstromeinheit angeschlossen, die sich an Bord befinden muss. Diese Einheiten wie auch die sonstige feste Elektroinstallation im Boot für den Anschluss ans Netz müssen gemäß den geltenden Bestimmungen ausgeführt werden. Der Warmwasserbereiter und seine Installation sind so ausgelegt, dass die geltenden EU-Anforderungen auf diesem Gebiet erfüllt werden.

Achtung! Wenn das Boot für längere Zeit verlassen wird, muss immer der Stecker des Warmwasserbereiters herausgezogen werden, so dass auch die Schutzerdung unterbrochen ist. Dies gilt auch, wenn der Landstromanschluss des Bootes abgeschaltet ist (in einigen Gebieten kann im Elektrosystem ein Potentialunterschied zwischen Schutzleitung und Seewasser = Erdung des Bootes entstehen. Dies kann auf Dauer den Heizstab, Warmwasserbereiter und andere Metallteile an Bord beschädigen).

Die Installation eines Isolationstransformators eliminiert die Gefahr der galvanischen Korrosion bei Landstromanschluss.

Ziehen Sie immer den Stecker des Heizstabes heraus oder unterbrechen Sie auf andere Weise die Landstromverbindung vollständig, bevor Sie die Schutzhaube vor dem Heizstab und den Thermostaten entfernen. Der Elektroschaltkreis enthält einen Betriebsthermostat von 75°C und einen Überhitzungsschutz von 96°C. Wenn der Überhitzungsschutz aktiviert wurde, muss er manuell durch Drücken der Rückstelltaste zurückgestellt werden. Siehe Abschnitt 6:2 - Abb. 10.

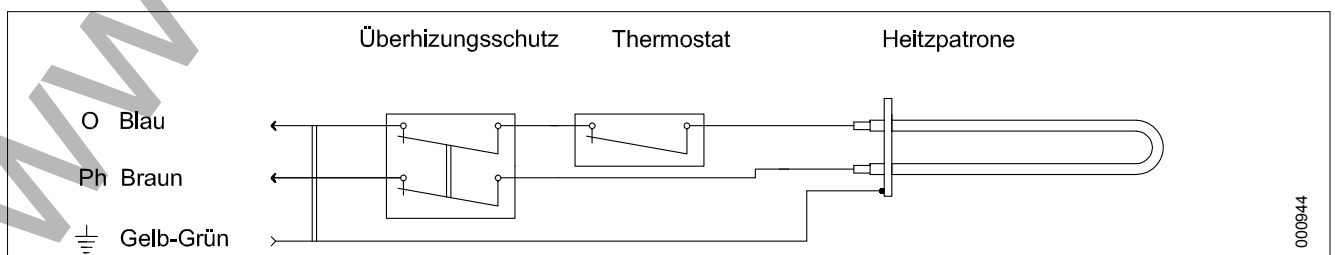


Abb. 8

5. Anlauf / Probelauf

Füllen Sie Frischwasser auf, indem Sie die Druckwasserpumpe starten und den Warmwasserhahn offen lassen, so dass Luft und später Wasser herausströmt. Kontrollieren Sie, dass kein Wasserleck vorhanden ist. Schalten Sie den Elektroanschluss erst ein, wenn der Warmwasserbereiter vollständig mit Wasser gefüllt ist. Die Abwasserleitung vom Sicherheitsventil muss immer freien Auslauf haben. Starten Sie den Bootmotor und kontrollieren Sie, ob der Kühlwasserkreislauf durch den Motorwasser-Wärmetauscher des Warmwasserbereiters anläuft.

6. Wartung

6:1 Winterentleerung: Wenn Gefriergefahr besteht, muss das Frischwasser aus dem Warmwasserbereiter abgelassen werden.

Nehmen Sie den Schlauch für den Warmwasserablauf vom Warmwasserbereiter ab oder öffnen Sie die Lüftungsschraube (M5 Kreuzschraube) am Mischventil. Entfernen Sie die Schraube vollständig, um sicherzustellen, dass Luft in den Warmwasserbereiter gelangen kann. Öffnen Sie die Ablassfunktion des Sicherheitsventils, indem Sie den schwarzen Griff am Sicherheitsventil etwas gegen den Uhrzeigersinn drehen. Das Wasser läuft nun über die Ablassöffnung am Sicherheitsventil ab.

Wenn das Kühlwassersystem des Motors nicht über eine Frostschutzmischung verfügt, müssen auch Kühlsystem, Schläuche und der Wärmetauscher im Warmwasserbereiter gründlich entleert werden. Danach kann der Warmwasserbereiter den Winter über auf dem Boot bleiben. Ziehen Sie den Stecker heraus, damit das Gerät bei Anschluss des Bootes an das Netz nicht trocken läuft.

6:2 Austausch/Rückstellung von Thermostaten:

Warnung: Schalten Sie erst den Strom ab, und ziehen Sie den Stecker heraus!

Der Heizstab hat als Standard 750 Watt. Wenn ein Heizstab mit höherer Leistung verwendet wird, besteht bei vielen Landstromanlagen die Gefahr der Überbelastung. Der Warmwasserbereiter hat einen Betriebs- und einen Überhitzungsthermostat, die den Strom bei 75°C beziehungsweise 96°C unterbrechen. Wenn der Überhitzungsschutz ausgelöst hat, muss er durch Eindrücken der Kontrolltaste manuell zurückgestellt werden. Siehe Abb. 10.

Überprüfen Sie auch, warum der Überhitzungsschutz ausgelöst hat. Funktioniert der Betriebsthermostat nicht? Ist kein Wasser im Warmwasserbereiter?

Austausch der Thermostate: Nehmen Sie die Kunststoffhaube ab. Ziehen Sie die Kabelschuhe von dem Thermostat ab, der ausgewechselt werden soll. Notieren Sie zuvor die Kabelpositionen!

Die Fühler des Thermostats stecken in einer Tauchhülse mitten im Warmwasserbereiter, ziehen Sie sie heraus. Lösen Sie die Befestigungsschraube des Thermostats und entfernen Sie den Thermostat. Montieren Sie den neuen Thermostat in umgekehrter Reihenfolge. Drücken Sie die Fühlerenden so tief in die Tauchhülse wie möglich.

Achtung! Wenn das Boot für längere Zeit verlassen wird, muss immer der Stecker des Warmwasserbereiters herausgezogen werden, so dass auch die Schutzerdung unterbrochen ist. Dies gilt auch, wenn der Landstromanschluss des Bootes abgeschaltet ist. In einigen Gebieten kann im Elektrosystem ein Potentialunterschied zwischen Schutzleitung und Seewasser = Erdung des Bootes entstehen. Dieser kann den Heizstab, Warmwasserbereiter, Motor und/oder Propeller und Antrieb beschädigen).

Wenn die Schläuche so verlegt wurden, dass sich Lufteinschlüsse gebildet haben, kann es notwendig sein, die Schläuche durch Heben und Senken zu entlüften. Achten Sie darauf, dass die Schläuche richtig fixiert werden. Gleichen Sie bei Bedarf die Kühlflüssigkeit im Kühlsystem des Motors mit der Menge aus, die vom Motorwasser-Wärmetauscher und den Schläuchen des Warmwasserbereiters aufgenommen wird.

Stecken Sie den Stecker des Heizstabes ein, schalten Sie den Hauptschalter ein und kontrollieren Sie, ob der Heizstab das Wasser erwärmt. Kontrollieren Sie, ob alle Schlauchanschlüsse dicht sind.

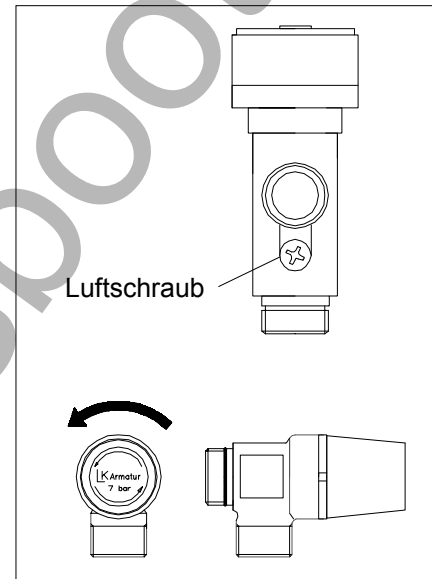


Abb. 9

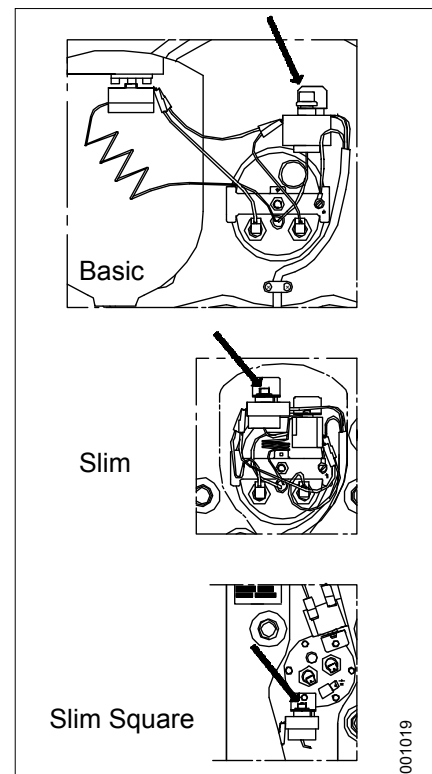


Abb. 10

6:3 Austausch des Heizstabes:

Warnung! Schalten Sie vorher den Strom ab!

Ziehen Sie den Stecker heraus. Lassen Sie das Wasser aus dem Tank ab.

Basic und Slim

Schrauben Sie die Kunststoffhaube ab. Lösen Sie den Thermostat (Slim) und den Überhitzungsschutz aus ihren Halterungen, damit Sie den Heizstab mit Halteplatte leichter erreichen. Nehmen Sie die Stromkabel vom Heizstab ab. Schrauben Sie den Schließbügel ab, Abb. 11B, der Heizstab mit Halteplatte fällt eventuell in den Warmwasserbereiter. Setzen Sie die Mutter, Abb. 11A, wieder auf den Mittelbolzen mit Gewinde. Die gesamte Einheit lässt sich so besser halten. Drehen Sie die Halteplatte mit Heizstab innen im Tank um 90° nach links, so dass die Kabelhalterungen nach rechts zeigen. Drehen Sie die ganze Einheit so, dass sie innen im Tank an die Wand zur Linken stößt, über dem Rohr des Motorwasser-Wärmetauschers. Fädeln Sie die gesamte Einheit mit der linken Seite zuerst durch die Öffnung. Dies wird erleichtert, indem man zuvor die Gummidichtung nach innen abzieht. Lösen Sie den Heizstab von der Halteplatte, (NV 19 mm), montieren Sie dann einen neuen Heizstab mit neuen Stützringen und Gummidichtungen.

Montieren Sie die gesamte Einheit wieder in umgekehrter Reihenfolge, aber setzen Sie zuerst die große Gummidichtung auf. Der Heizstab soll nach der Montage leicht nach unten in den Tank zeigen und parallel zur Tauchhülse sitzen.

Slim Square

Der Heizstab im Slim Square ist an einer runden Scheibe befestigt, die mit sechs Schrauben an einem Flansch am Warmwasserbereiter verschraubt ist. Siehe Abb. 11. Der Heizstab ist mit einer glatten Gummidichtung ausgestattet. Notieren Sie, in welcher Position die Haltescheibe mit Heizstab montiert ist. Ziehen Sie zunächst die Elektrokabel vom Heizstab ab. Lösen Sie die sechs Schrauben. Der Heizstab kann nun mit Scheibe herausgezogen werden. Schrauben Sie den Heizstab von der Scheibe ab (NV 19 mm), montieren Sie einen neuen Heizstab mit neuen Stützringen und Gummidichtungen. Montieren Sie den Heizstab mit Haltescheibe zusammen mit einer neuen Gummidichtung in derselben Position wie zuvor.

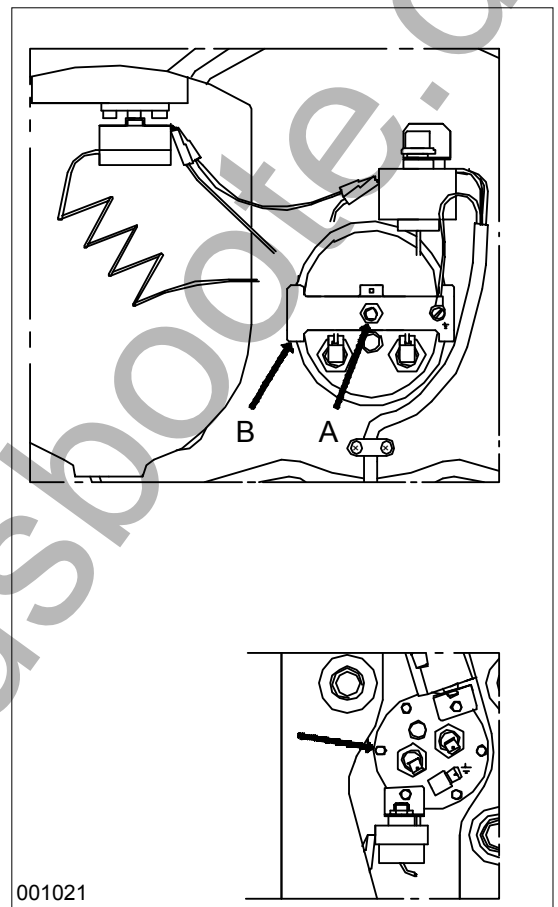


Abb. 11

7. Basic 40 & 75 L mit doppeltem Motorwasser-Wärmetauscher

Die Anschlüsse der beiden Motorwasser-Wärmetauscher gehen aus Abb. 4 hervor. Beide Wärmetauscher haben Anschlüsse an der vorderen Schmalseite des Warmwasserbereiters. Der Austausch des Heizstabes wird ausgeführt wie oben für Basic beschrieben. Siehe Abb. 4.

8. Technical data

8.1 Basic

Type	Volumen Lit.	Gewicht kg	Heizstab	Heizstab Zuwahl	Thermostat-Mischer
602431B000000	24	14	230V-750W	115V-750W	-
602431B000003	24	14	230V-750W	115V-750W	X
603031B000000	30	17	230V-750W	115V-750W	-
603031B000003	30	17	230V-750W	115V-750W	X
604031B000000	40	20	230V-750W	115V-750W 230V-1200W	-
604031B000003	40	20	230V-750W	115V-750W 230V-1200W	X
604031BD00000 (Doppelter Motorwas- ser-Wärmetauscher)	40	22	230V-750W	115V-750W 230V-1200W	-
604031BD00003 (Doppelter Motorwas- ser-Wärmetauscher)	40	22	230V-750W	115V-750W 230V-1200W	X
605031B000000	50	23	230V-750W	115V-750W 230V-1200W 230V-2000W	-
605031B000003	50	23	230V-750W	115V-750W 230V-1200W 230V-2000W	X
607531B000000	75	29	230V-750W	115V-750W 230V-1200W 230V-2000W 230V-3000W	-
607531B000003	75	29	230V-750W	115V-750W 230V-1200W 230V-2000W 230V-3000W	X
607531BD00000 (Doppelter Motorwas- ser-Wärmetauscher)	75	31	230V-750W	115V-750W 230V-1200W 230V-2000W 230V-3000W	-
607531BD00003 (Doppelter Motorwas- ser-Wärmetauscher)	75	31	230V-750W	115V-750W 230V-1200W 230V-2000W 230V-3000W	X

Maße: Siehe Abb. 12

Material: Wärmetauscherrohr, Innentank und Anschlüsse: Edelstahl AISI 316

Außenhülle und Haltefüße: Edelstahl AISI 304

Heizstab: Nickelplattiertes Kupfer

Dämmung: Polyurethan

Sicherheitsventil: 7 bar

Maße Basic

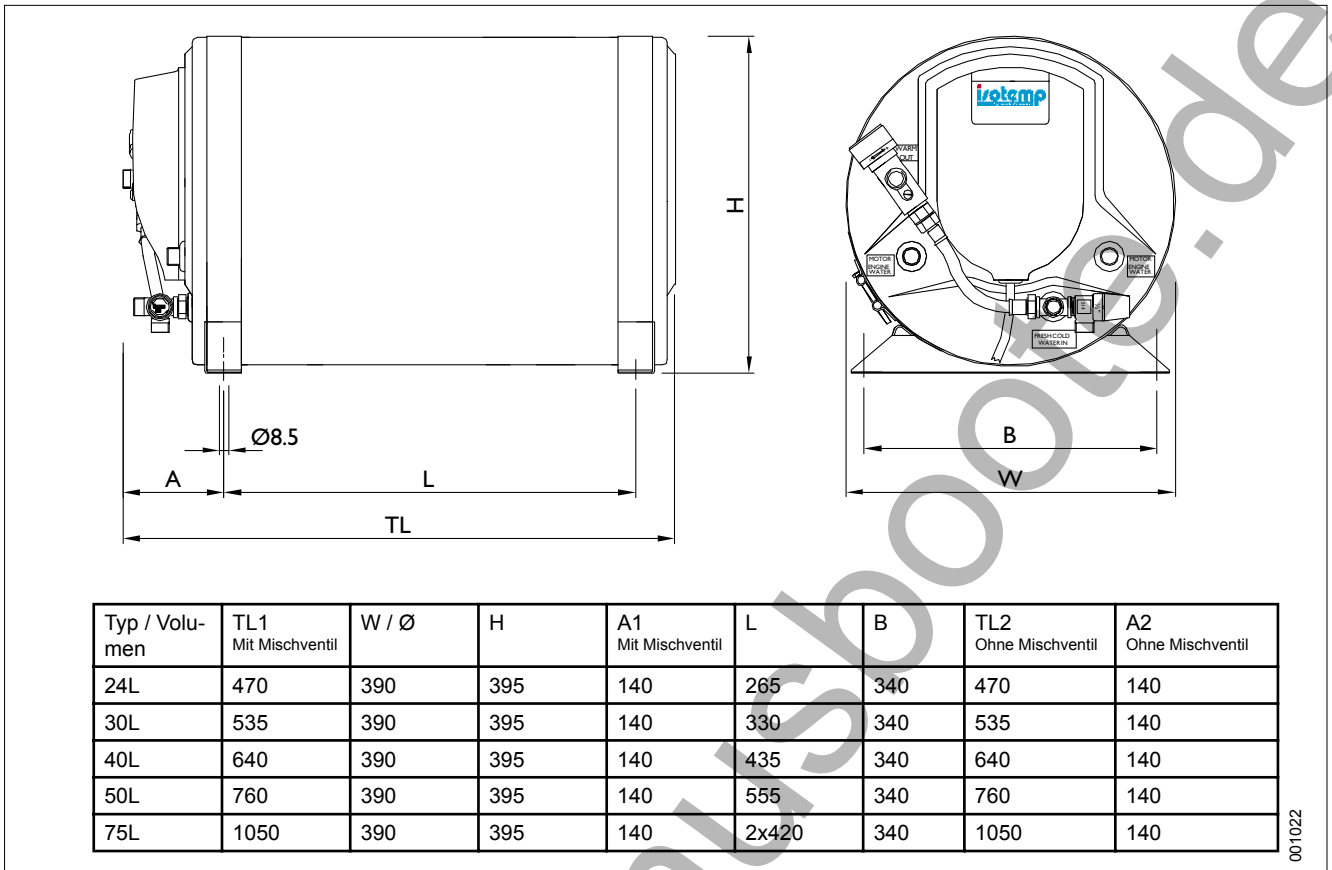


Abb. 12

8.2 Slim/B

Typ	Volumen Lit.	Gewicht kg	Heizstab	Heizstab Zuwahl	Thermostatmischer
601531S000000	15	10.5	230V-750W	115V-750W	-
601531S000003	15	10.5	230V-750W	115V-750W	X
602031S000000	20	12	230V-750W	115V-750W	-
602031S000003	20	12	230V-750W	115V-750W	X
602531S000000	25	13.5	230V-750W	115V-750W	
602531S000003	25	13.5	230V-750W	115V-750W	X

Maße: Siehe Abb. 13
 Material: Wärmetauscherrohr, Innentank und Anschlüsse: Edelstahl AISI 316
 Außenhülle und Haltefüße: Edelstahl AISI 304
 Heizstab: Nickelplattiertes Kupfer
 Dämmung: Polyurethan
 Sicherheitsventil: 7 bar

Maße Slim/B

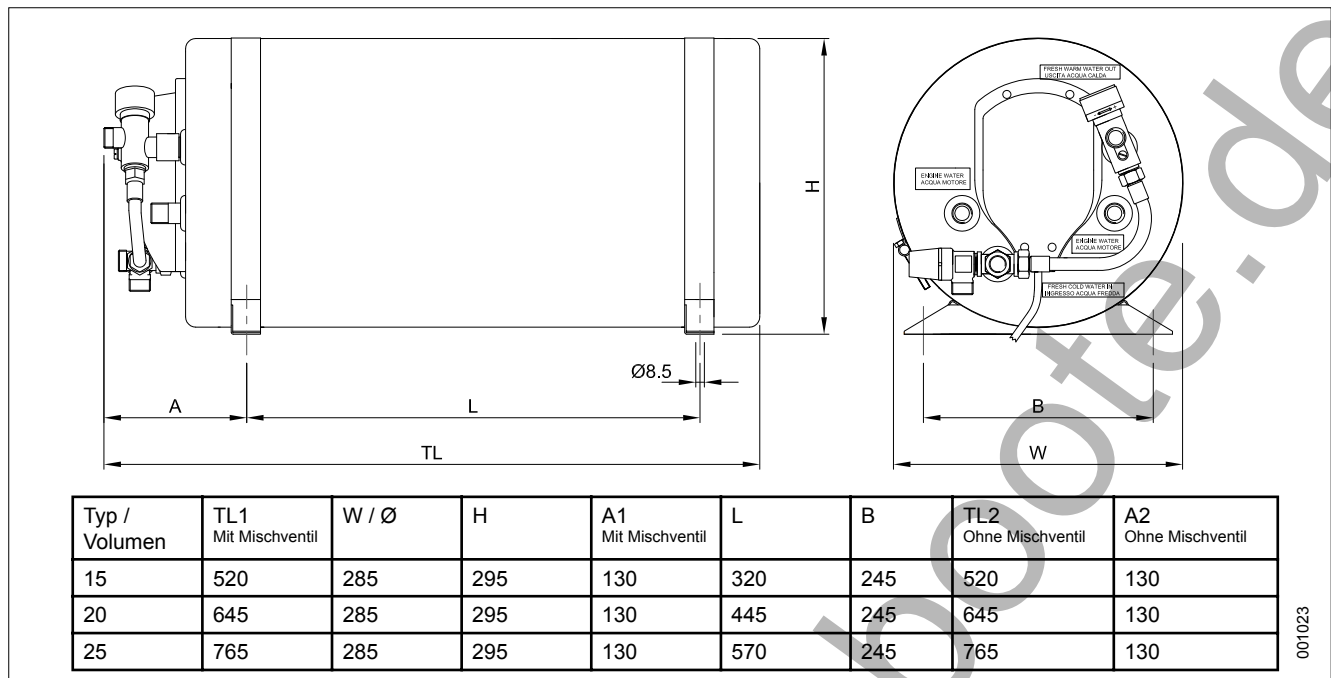


Abb. 13

8.3 Slim Square

Typ	Volumen Lit.	Gewicht kg	Heizstab	Heizstab zuwahl	Thermostat- micher
601631Q000000	16	16	230V-750W	115V-750W	-
601631Q000003	16	16	230V-750W	115V-750W	X

Maße: Siehe Abb. 13
 Material: Wärmetauscherrohr, Innentank und Anschlüsse: Edelstahl AISI 316
 Außenhülle und Haltefüße: Edelstahl AISI 304
 Heizstab: Nickelplattiertes Kupfer
 Dämmung: Polyurethan
 Sicherheitsventil: 5,5 bar

Maße Slim Square

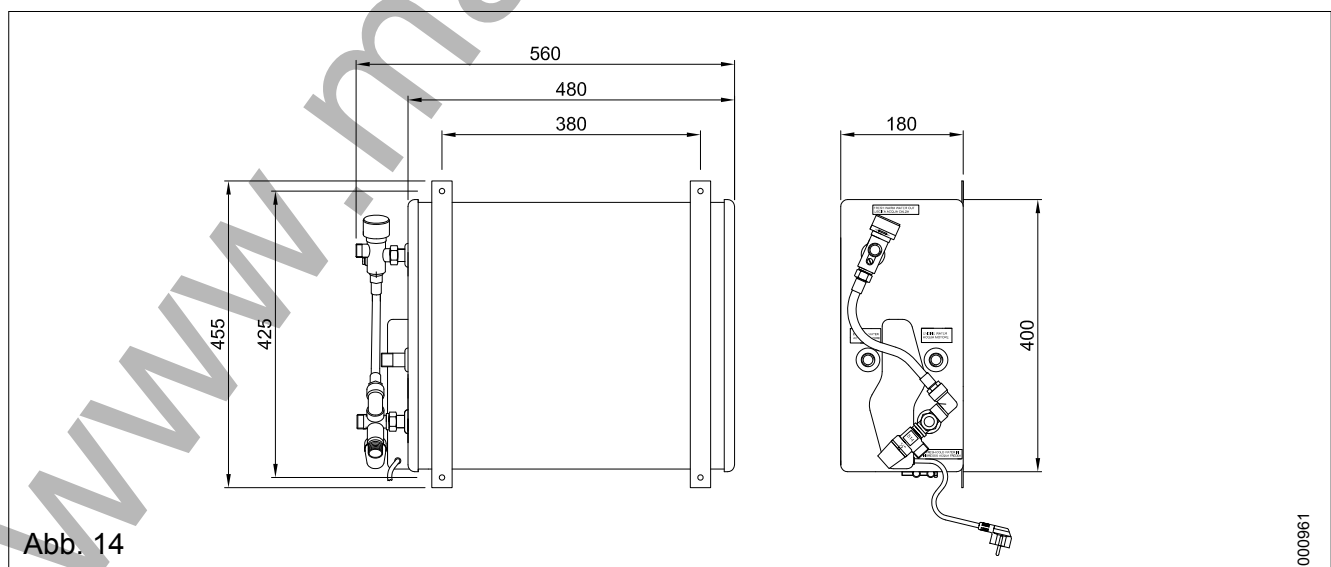


Abb. 14

Sommaire

1. Consignes de sécurité
2. Emplacement du réservoir
3. Installation
4. Raccordements
 - 4.1 Raccords
 - 4.2 Tuyaux
 - 4.3 Raccordements au moteur
 - 4.4 Raccordements de l'eau douce
 - 4.5 Raccordements électriques
5. Démarrage /Essai de fonctionnement
6. Entretien
 - 6.1 Protection contre le froid
 - 6.2 Remplacement du thermostat
 - 6.3 Remplacement du corps de chauffe
7. Double échangeur de chaleur
8. Caractéristiques techniques
 - 8.1 Basic
 - 8.2 Slim/B
 - 8.3 Slim Square

1 – Consignes de sécurité

Le présent manuel a été élaboré pour vous aider à utiliser votre chauffe-eau agréablement et en toute sécurité. Il contient des informations sur le fonctionnement et l'entretien.

Veillez lire ce manuel attentivement de façon à vous familiariser avec l'appareil, et le conserver en lieu sûr à bord.

Il est important que votre chauffe-eau soit correctement installé et entretenu. Durant la période hivernale, lorsque l'appareil n'est pas utilisé, il est essentiel de le vidanger afin d'éviter tout dégât dû au gel. Chaque chauffe-eau est soumis individuellement à une épreuve de pression avant livraison et est garanti par le fabricant contre les défauts de matériel et/ou de fabrication.

Indel Marine S.r.l. décline toute responsabilité en cas de dégâts occasionnés à l'appareil ou de lésions corporelles encourues suite à une installation ou utilisation incorrecte de l'appareil.



Danger!

Toutes les installations électriques présentes à bord doivent être réalisées par des spécialistes agréés. Le chauffe-eau doit être correctement mis à la terre sur le réseau de courant alternatif.



Danger!

Il est impératif de toujours utiliser des fils électriques de la dimension recommandée ainsi que des fusibles / disjoncteurs et un disjoncteur de fuite à la terre conformes aux recommandations.



Avertissement!

Ne branchez le corps de chauffe sur l'alimentation électrique qu'une fois le réservoir du chauffe-eau rempli d'eau.



Avertissement!

Risque de s'ébouillanter : l'eau chaude dans le chauffe-eau sera à la même température que le moteur.

Attention!

Votre attention est attirée sur le chapitre 4.5 Raccordements électriques en ce qui concerne le risque de corrosion lors du raccordement à l'alimentation électrique de quai.

Attention!


Pour le raccordement au circuit de refroidissement du moteur, il y a lieu de suivre scrupuleusement les consignes du fabricant du moteur.

Environnement:

Cet appareil est marqué en conformité avec la Directive Européenne 2002/96/CE sur les Déchets d'Équipements Électriques et Électroniques (DEEE).

En veillant à ce que ce produit soit éliminé correctement, vous contribuerez à éviter d'éventuelles conséquences néfastes pour l'environnement et la santé qui pourraient résulter d'un traitement inapproprié des déchets provenant de cet appareil.



Le symbole  apposé sur l'appareil ou sur les documents qui l'accompagnent indique que cet appareil ne peut en aucun cas être traité comme déchet domestique.

Il y a lieu de le remettre pour recyclage au point de ramassage d'équipement électrique et électronique approprié. L'élimination de l'appareil doit être effectuée conformément aux réglementations environnementales locales en matière d'élimination des déchets.

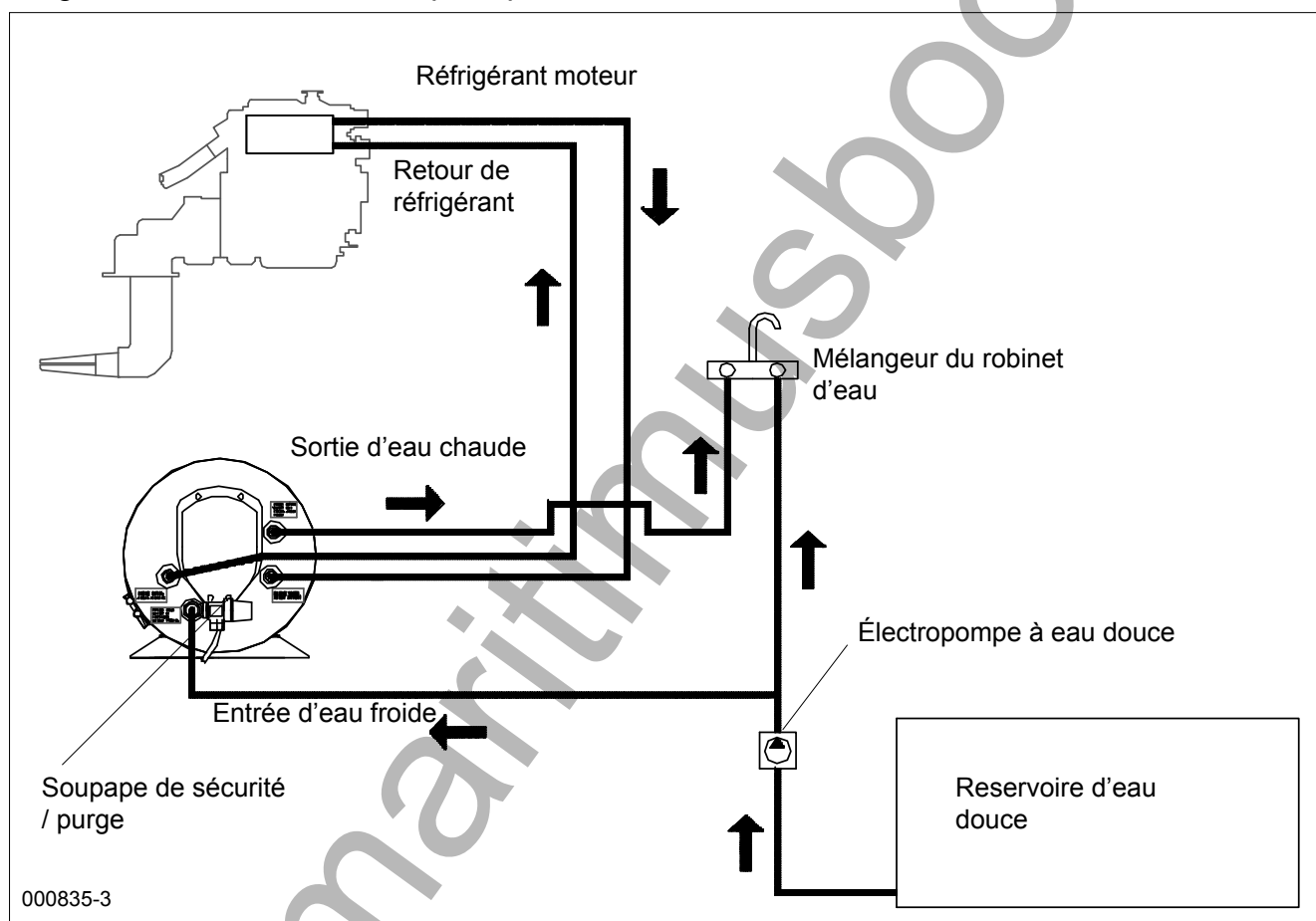
Pour plus ample information sur le traitement, la récupération et le recyclage de ce produit, veuillez contacter votre administration communale, votre service d'élimination de déchets domestiques ou le magasin où vous avez acheté l'appareil.

2. Emplacement du réservoir

Le chauffe-eau peut être placé en principe n'importe sur le bateau pour autant que ses raccordements avec l'échangeur de chaleur du moteur soient à un niveau situé sous le vase d'expansion du moteur (Fig. 1). Il est préférable que les tuyaux flexibles entre le chauffe-eau et l'échangeur de chaleur du moteur soient aussi courts que possible pour réduire au maximum les pertes de charge et de chaleur. Dans beaucoup d'installations, l'échangeur de chaleur du réservoir est simplement raccordé en série au circuit de réfrigérant du moteur.

Dans certaines installations, toutefois, il est raccordé en parallèle avec un limiteur ou dérivateur de débit. Le choix dépend des recommandations spécifiques du fabricant et/ou de l'installateur du moteur. Veuillez consulter le fabricant ou revendeur du moteur quant à leurs recommandations éventuelles pour le raccordement au circuit de refroidissement du moteur. Au cas où il faudrait installer le réservoir au-dessus du vase d'expansion du moteur, le circuit d'eau du moteur doit être équipé d'un robinet de purge d'air en son point haut (disponible en option).

Diagramme de raccordement principal



3. Installation

Les chauffe-eau Isotemp Basic, Slim & Slim Square sont conçus pour un fonctionnement optimal lorsqu'ils sont montés horizontalement et verticalement. La purge / soupape de sécurité doit toujours se trouver au point le plus bas. Dans les versions Basic et Slim, les supports de fixation peuvent être ajustés latéralement pour montage du chauffe-eau sur une cloison. Ne montez le réservoir que sur une étagère ou une cloison appropriée, **en gardant toujours à l'esprit que le poids du chauffe-eau est plus important lorsqu'il est rempli d'eau.**

Voir les variantes de montage en fig. 2.

Slim Square peut être monté verticalement ou horizontalement à plat, ou encore placé dans d'autres positions comme représenté à la fig. 7. La Fig. 3 illustre les raccordements d'eau du modèle Basic, fig. 4 le Basic à double serpentin (double échangeur de chaleur), fig. 5 le Slim et fig. 6 le Slim Square. Il est recommandé de prévoir un espace libre d'environ 30 cm devant le chauffe-eau pour faciliter les interventions de maintenance.

Isotemp Basic & Slim

Variantes de montage, horizontal ou vertical.

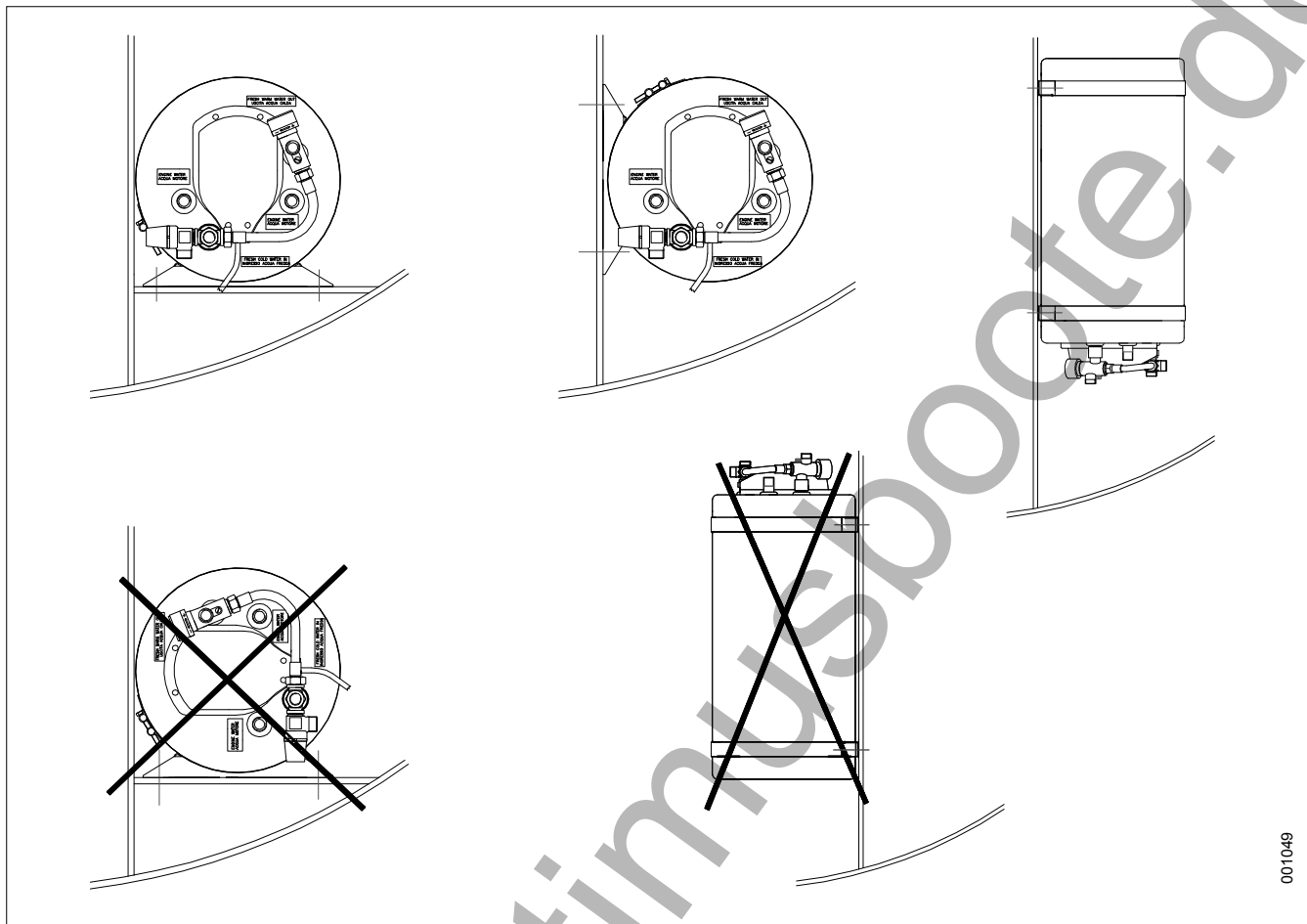


Fig. 2

Isotemp Basic sans et avec mitigeur thermostatique

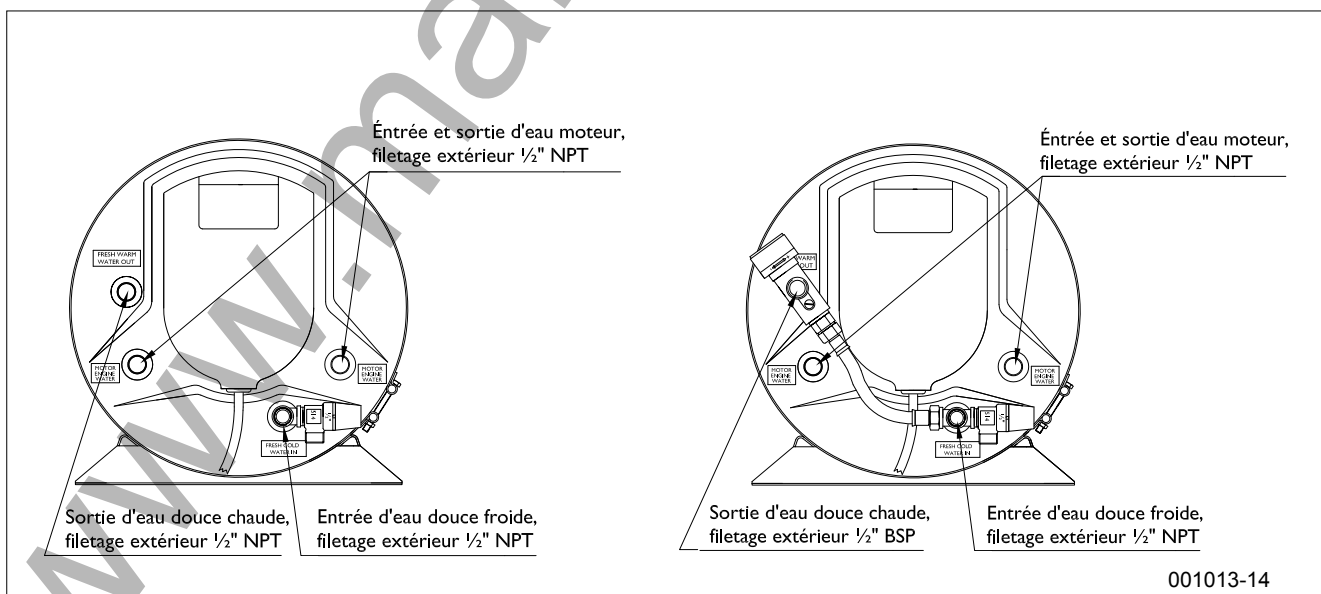


Fig. 3

Isotemp Basic à double serpentin, sans et avec mitigeur thermostatique

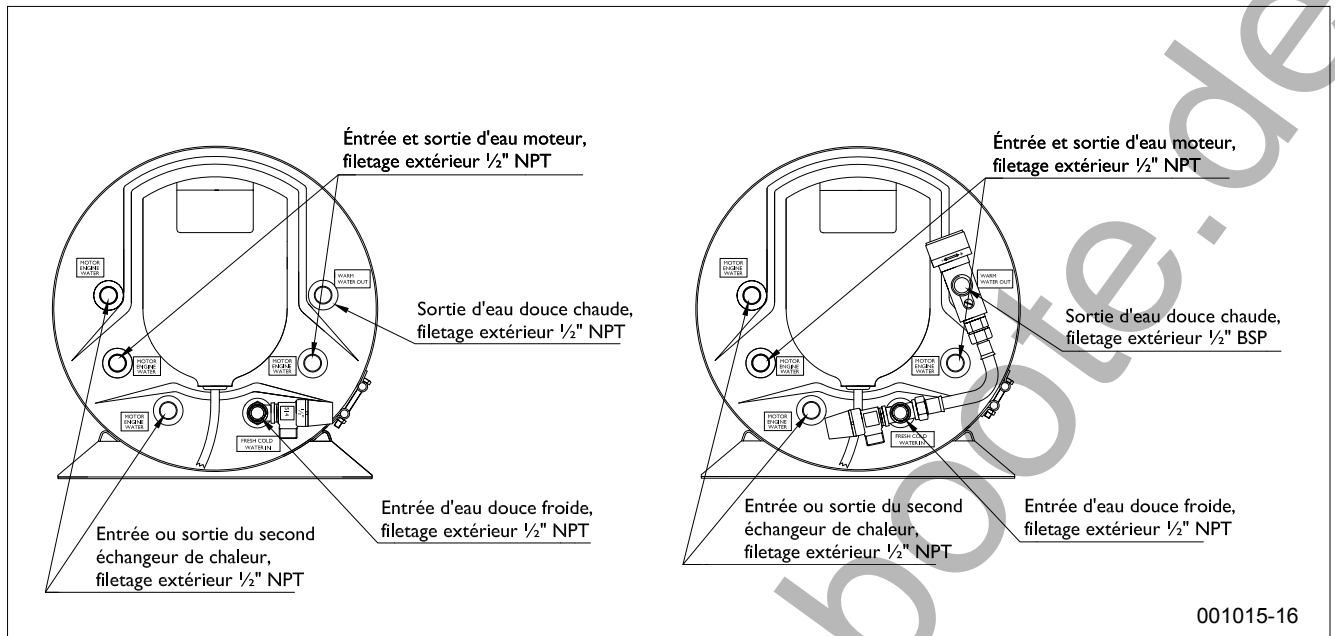


Fig. 4

Isotemp Slim sans et avec mitigeur thermostatique

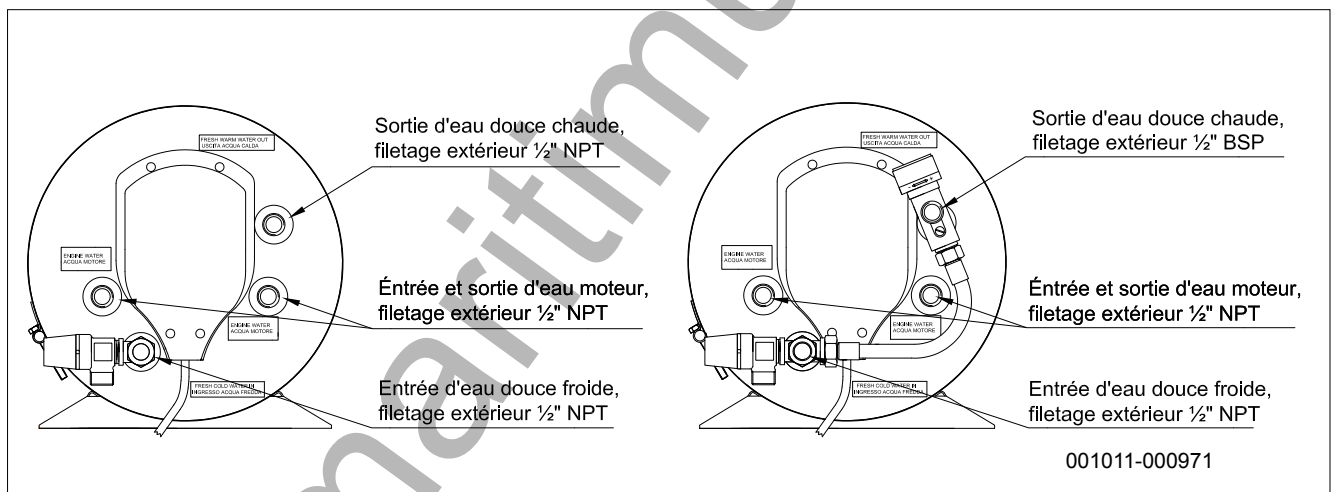


Fig. 5

NB:

Les raccords de flexible G1/2" BSP s'adaptent aussi sur les filetages extérieurs 1/2" NPT.

Slim Square sans et avec mitigeur thermostatique

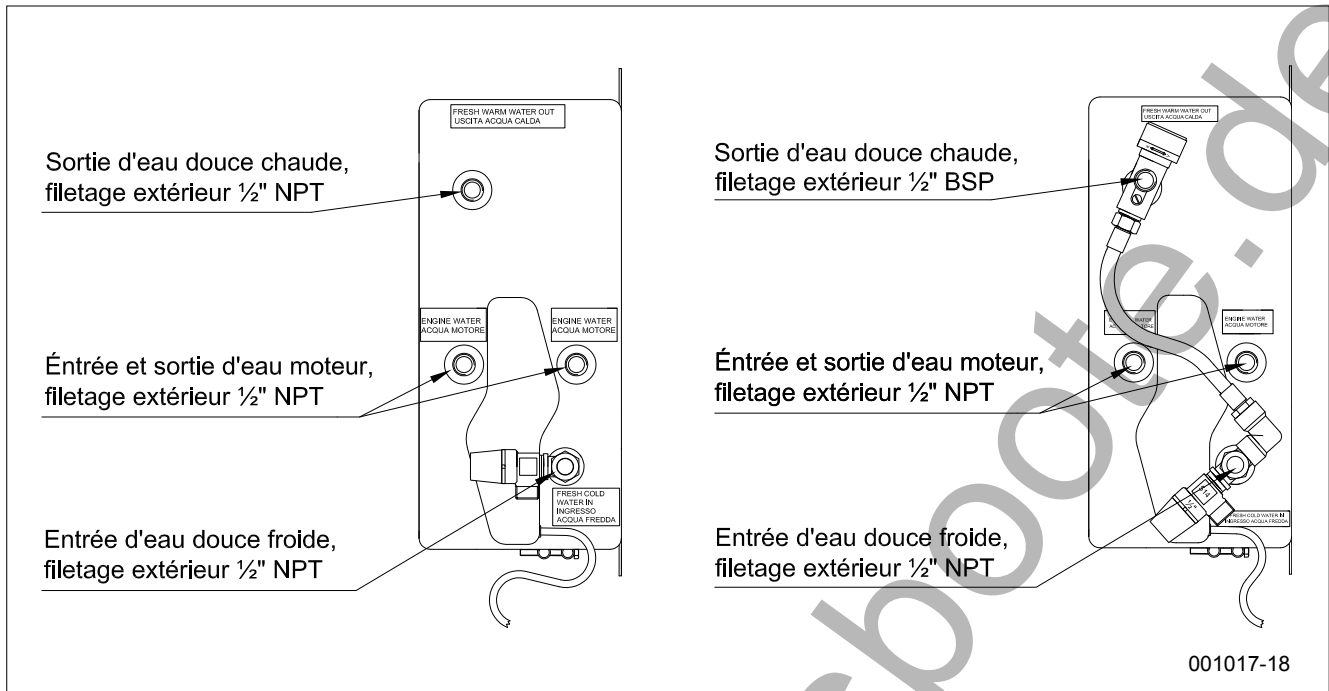


Fig. 6

Slim Square

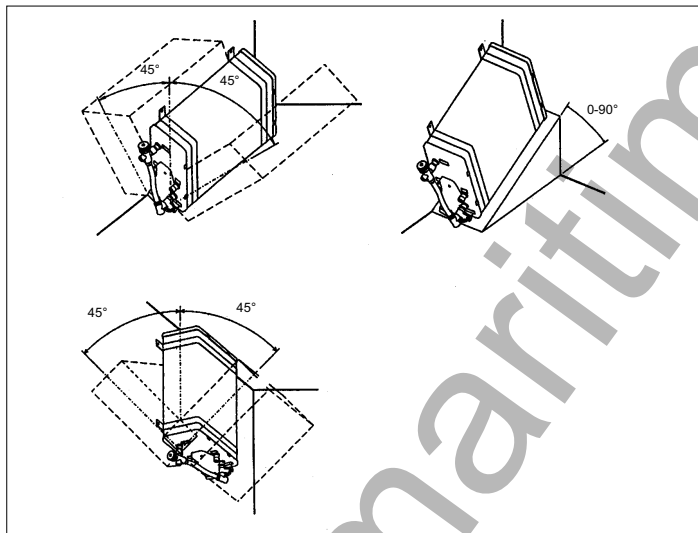


Fig. 7

Variantes de montage du modèle Slim Square.

Ne pas oublier que la soupape de sécurité doit toujours se trouver au point le plus bas.

4. Raccordements

4.1 Matériaux : Utiliser exclusivement des raccords et accessoires fabriqués dans des matériaux inoxydables tels que le laiton ou l'acier inoxydable. Pour des raisons liées à la chaleur, éviter les raccords en plastique pour le chauffe-eau, à moins qu'ils n'aient été spécialement conçus pour ce type d'application. Ceci est important car une fuite à ce niveau peut provoquer une surchauffe subite du moteur ainsi qu'une dangereuse projection d'eau très chaude.

flexibles soigneusement avec des colliers de serrage. Étanchéfier les raccords filetés avec un produit approprié (Loctite 577 ou Bondline T777 par exemple). Les raccords de flexible G $\frac{1}{2}$ » ($\frac{1}{2}$ »BSP) s'adaptent sur

les raccords du chauffe-eau.

4.2 Flexibles : pour les raccordements moteur, utiliser exclusivement des tuyaux flexibles en caoutchouc renforcé à l'épreuve de la chaleur (100°C), résistant au liquide anti-gel et prévus pour une pression nominale de 5 bar. Pour le branchement d'eau douce froide et la sortie d'eau chaude illustrée à la fig. 7, utiliser des flexibles pour eau douce résistant à la chaleur et de qualité alimentaire. Ils seront prévus pour une pression nominale de 8 bar. Fixer les flexibles soigneusement avec des colliers de serrage. Étanchéfier les raccords filetés avec un produit approprié (Loctite 577 ou Bondline T777 par exemple).

Les raccords de flexible G $\frac{1}{2}$ » ($\frac{1}{2}$ »BSP) s'adaptent sur les raccords du chauffe-eau.

4.3 Raccordements au moteur (voir schéma de raccordement, fig.1)

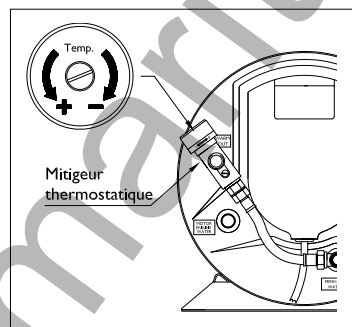
Le chauffe-eau est prévu pour être utilisé avec des moteurs refroidis par eau douce. Le débit d'eau de refroidissement provenant du moteur et qui passe à travers le chauffe-eau doit être d'au moins 2 litres/min. Si le bateau est équipé de deux moteurs, ne raccorder le chauffe-eau qu'à l'un d'eux. Si deux chauffe-eau doivent être installés, les raccorder en parallèle. Le raccordement au moteur se fera au moyen de tuyaux flexibles et raccords de 16 mm minimum afin d'éviter tout risque d'étranglement. En ce qui concerne les points de raccordement des flexibles, se référer aux instructions reprises dans le manuel du moteur.

Lorsque le chauffe-eau est utilisé sur de petits moteurs diesel de 10 à 15 CV, il peut être nécessaire de réduire le débit passant à travers le chauffe-eau de façon à conserver une capacité de refroidissement suffisante pour le moteur.

4.4 Raccordements d'eau douce (voir schéma de raccordement, fig. 1):

Le chauffe-eau est alimenté en eau douce par l'électropompe du circuit d'eau. Pression maximale de fonctionnement pour la pompe: 3.8 bar. Veuillez noter que la soupape de surpression sur le réservoir est réglée sur 7.0 bar. L'eau douce est captée au niveau de la soupape de sécurité. La sortie d'eau chaude, qui fait aussi office de purgeur d'air pour le chauffe-eau, doit être raccordée à un robinet mélangeur sur l'évier ou le lavabo.

Attention! Ne pas oublier que l'eau chaude est à la température du moteur, d'où risque d'ébouillantage ! Il faut dès lors mélanger de l'eau froide au niveau des robinets. Si le chauffe-eau est muni d'un mitigeur thermostatique, vous pouvez vous en servir pour régler la température de l'eau chaude de façon à éviter les risques de brûlure. La température peut être réglée entre 38 et 65 °C.



Le flexible d'eau usée doit toujours avoir un orifice de sortie dégagé. Aucun robinet ou raccordement ne doit être monté sur ce tuyau. Lors du réchauffage du réservoir, il se peut qu'une petite quantité d'eau s'échappe par la soupape de sécurité. Ceci est dû au fait que l'eau se dilate en chauffant. Cette situation est normale et indique un fonctionnement correct du système.

4.5 Raccordements électriques

Voir le schéma de câblage fig. 8

Tous les raccordements internes sont réalisés en usine. Le câble d'alimentation électrique est muni d'une fiche standard UE, qui doit être branchée sur une prise correctement installée. Cette prise, comme d'ailleurs toutes les installations électriques «à haute tension» en poste à bord, doit être réalisée par un électricien agréé de façon à être conforme aux réglementations de sécurité en vigueur. Le chauffe-eau lui-même est conçu pour satisfaire aux normes en ce domaine. L'installation du chargeur de quai monté à bord doit comporter un disjoncteur de fuite à la terre.

Lorsque le bateau reste inoccupé durant des périodes prolongées, la fiche du chauffe-eau doit toujours être débranchée, même si le chargeur de quai est débranché. En effet, dans le circuit électrique, une différence de potentiel peut quelquefois se créer entre le fil de terre et l'eau de mer qui forme la masse du bateau, ce qui peut occasionner de sérieux dégâts au chauffe-eau ou au corps de chauffe.

L'installation d'un transformateur d'isolation dans le système de chargeur de quai élimine tout risque de corrosion galvanique via le raccordement à l'alimentation électrique de quai.

Il faut toujours débrancher le chauffe-eau et/ou couper tous les disjoncteurs et déconnecter les raccordements au chargeur de quai avant d'ôter le couvercle de raccordement. Le circuit électrique est contrôlé par un thermostat de service réglé sur 75°C / 167°F ainsi que par une double sécurité anti-surchauffe dont la valeur de consigne est fixée à 96°C / 205°F. En cas de déclenchement de la sécurité anti-surchauffe, il faut la réarmer manuellement. Pour ce faire, presser le petit bouton situé au-dessus de cette sécurité anti-surchauffe.

Voir section 6:2.

Schéma de câblage

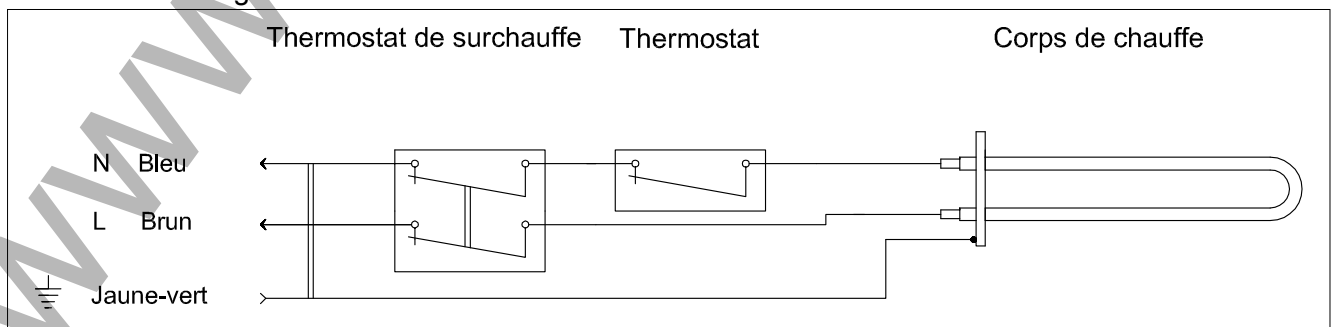


Fig. 8

5. Démarrage/Essai de fonctionnement

Remplir le réservoir d'eau chaude en enclenchant la pompe à eau et en ouvrant un robinet d'eau chaude de façon à laisser sortir l'air des tuyaux flexibles et de la plomberie.

Contrôler la purge et la soupape de sécurité en actionnant le levier. De l'eau entrera dans le tuyau de purge. S'assurer que le tuyau de purge n'est pas bloqué ou obstrué. Ramener le levier en position en position fermée. Mettre le moteur en marche pour vérifier la circulation du réfrigérant.

6. Maintenance

6:1 Vidange avant l'hiver: en cas de risque de gel, le chauffe-eau doit être vidé de l'eau qu'il contient.

À cet effet, enlever le tuyau flexible d'eau chaude ou dévisser la vis de purge du robinet mélangeur si un tel robinet est prévu. Enlever complètement la vis de purge d'air et ouvrir le robinet de purge en tournant le bouton noir sur la soupape de sécurité dans le sens anti-horlogique jusqu'à entendre un clic. Refermer le robinet en le tournant d'un degré supplémentaire, toujours dans le sens anti-horlogique.

Si le moteur est refroidi à l'eau non traitée, l'échangeur de chaleur doit également être vidé en retirant les tuyaux flexibles et en soufflant de l'air dans les serpentins afin de les purger de l'eau résiduelle. Le chauffe-eau peut ensuite rester à poste pendant l'hiver. Lorsque le bateau reste inoccupé durant une période prolongée, il est recommandé de débrancher le câble d'alimentation pour éviter le risque d'une intrusion de courants vagabonds par les raccordements de mise à la terre du chargeur de quai.

Attention: toujours commencer par couper l'alimentation électrique !

L'appareil comporte un thermoplongeur de 230V-750W. L'équipement thermostatique se compose d'un thermostat intégré et d'un double thermostat de sécurité anti-surchauffe. Ce dernier peut être réarmé manuellement en pressant la goupille située au-dessus du thermostat (voir fig. 10). Rechercher l'origine du déclenchement de la sécurité anti-surchauffe avant de rebrancher l'alimentation.

Couper le courant ! Retirer la fiche électrique. Démontez le capot en plastique frontal (4 vis sur les modèles Basic et Slim, 3 vis sur le Square).

Réarmer le thermostat anti-surchauffe.

Remplacement des thermostats : retirer les cosses de câble après avoir repéré leurs positions respectives. Les extrémités du capteur thermostatique sont placées dans un tube sur la bride de fixation du corps de chauffe. Les en retirer.

Dévisser les vis de fixations des thermostats. Monter les nouveaux thermostats dans l'ordre inverse du démontage. Veiller à ce que les extrémités du capteur soient correctement placées dans le tube.

Lorsque le bateau doit rester inoccupé pendant des périodes prolongées, il est recommandé de débrancher la fiche du câble d'alimentation. Cette mesure de précaution doit toujours être prise, même si le chargeur de quai est débranché, car il peut se produire une différence de potentiel entre le fil de terre et l'eau de mer qui forme la masse du bateau, ce qui peut occasionner de sérieux dégâts au chauffe-eau et/ou au moteur avec ses éléments de propulsion.

Il y a lieu d'ajouter du réfrigérant dans le circuit de manière à compenser le volume supplémentaire représenté par l'échangeur et les tuyaux flexibles. Si des poches d'air se sont formées dans les tuyaux, purger cet air en relevant et abaissant les tuyaux tout à tour autant de fois que nécessaire avant de fixer les tuyaux en place.

Finalement, brancher le chauffe-eau et enclencher le disjoncteur. Vérifier le bon fonctionnement.

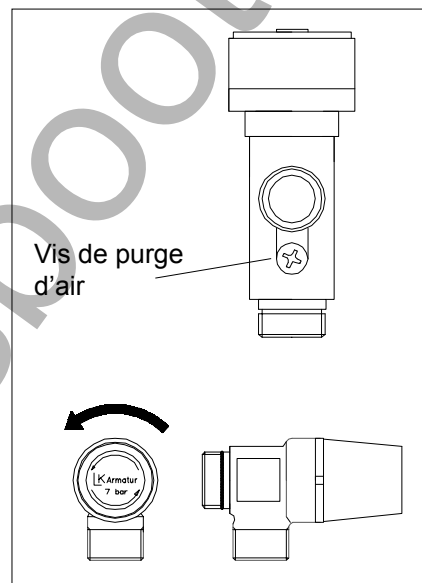


Fig. 9

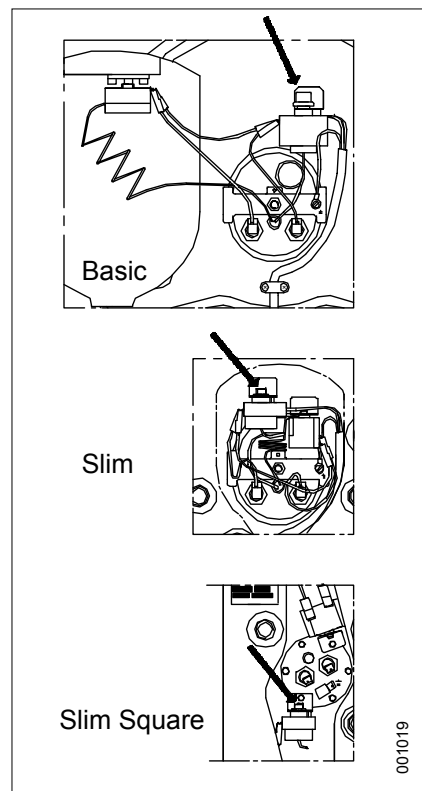


Fig. 10

6:3 Remplacement du corps de chauffe:

**Attention ! Veiller tout d'abord à couper le courant !
Vider le chauffe-eau de l'eau qu'il contient.**

Basic et Slim

Retirer le capot en plastique, dévisser les deux vis latérales et pousser le capot vers le bas. Sur le modèle Slim, démonter le thermostat et la sécurité anti-surchauffe de leurs supports pour faciliter l'accès.

Sur le Basic, ces deux dispositifs peuvent être laissés en place durant l'opération.

Retirer les fils électriques de leurs attaches sur le corps de chauffe.

Desserrer l'écrou central fig. 11-A et retirer les supports fig. 11-B. Replacer l'écrou sur le boulon central pour permettre un maniement plus facile (grâce à une meilleure prise).

Pousser la bride de montage avec son joint en caoutchouc vers l'intérieur ; cet ensemble sera extrait avec le corps de chauffe. Tourner le corps de chauffe de 90° vers la gauche, de sorte que les pattes des fils électriques pointent vers la droite.

Faire pivoter le corps de chauffe jusqu'à ce que l'extrémité intérieure bute contre le réservoir du côté gauche. Extraire le corps de chauffe à travers l'ouverture, côté gauche en premier. Dévisser le corps de chauffe de la bride de fixation. Monter le nouveau corps de chauffe avec de nouveaux joints toriques et un nouveau large joint en caoutchouc, en suivant l'ordre inverse du démontage. L'extrémité interne du corps de chauffe pointerait légèrement vers le bas après assemblage.

Slim Square

Sur le modèle Square, le corps de chauffe est assujéti au moyen de six vis sur une bride fixée à l'intérieur du réservoir. Il est équipé d'un joint plat en caoutchouc. Voir fig. 11.

En premier lieu, retirer les fils électriques de leurs attaches sur le corps de chauffe. Desserrer les six vis, ensuite l'ensemble du corps de chauffe peut être extrait avec la bride. Repérer au préalable la position de la bride. Le corps de chauffe est fixé sur la bride par des écrous. Dévisser le corps de chauffe et le désolidariser de la bride de fixation. Monter le nouveau corps de chauffe avec de nouveaux joints toriques et un nouveau gros joint en caoutchouc dans la même position qu'à l'origine.

7. Double échangeur de chaleur, Basic 40 & 75 litres.

Sur les chauffe-eau à double échangeur de chaleur, le raccordement du deuxième échangeur de chaleur est également situé sur le devant, côte à côte avec le raccordement d'échangeur de chaleur classique.

Voir fig. 4

Le remplacement du corps de chauffe s'effectue comme décrit ci-dessus.

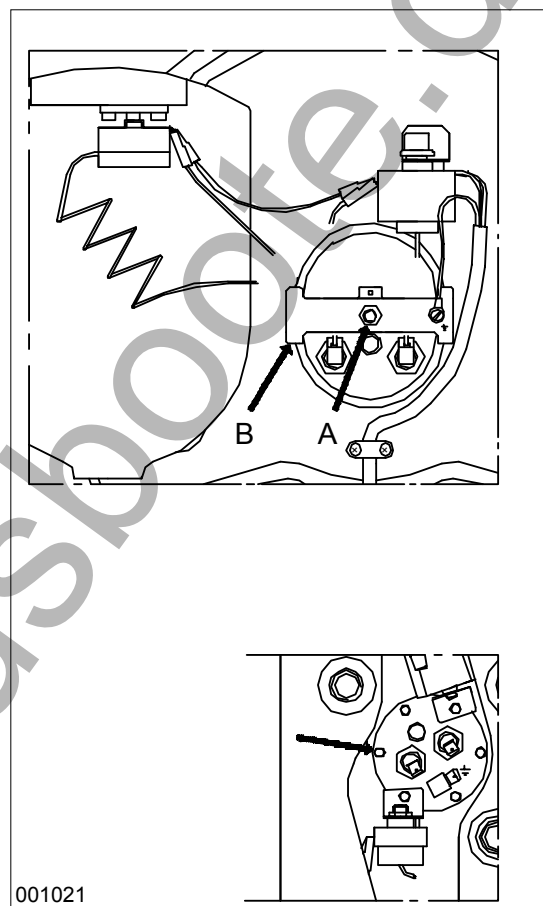


Abb. 11

8. Caractéristiques techniques

8.1 Basic

Type	Volume lit.	Poids kg	Corps de chauffe	Options du corps de chauffe	Mitigeur thermostatique
602431B000000	24	14	230V-750W	115V-750W	-
602431B000003	24	14	230V-750W	115V-750W	X
603031B000000	30	17	230V-750W	115V-750W	-
603031B000003	30	17	230V-750W	115V-750W	X
604031B000000	40	20	230V-750W	115V-750W 230V-1200W	-
604031B000003	40	20	230V-750W	115V-750W 230V-1200W	X
604031BD00000 (Double serpentin)	40	22	230V-750W	115V-750W 230V-1200W	-
604031BD00003 (Double serpentin)	40	22	230V-750W	115V-750W 230V-1200W	X
605031B000000	50	23	230V-750W	115V-750W 230V-1200W 230V-2000W	-
605031B000003	50	23	230V-750W	115V-750W 230V-1200W 230V-2000W	X
607531B000000	75	29	230V-750W	115V-750W 230V-1200W 230V-2000W 230V-3000W	-
607531B000003	75	29	230V-750W	115V-750W 230V-1200W 230V-2000W 230V-3000W	X
607531BD00000 (Double serpentin)	75	31	230V-750W	115V-750W 230V-1200W 230V-2000W 230V-3000W	-
607531BD00003 (Double serpentin)	75	31	230V-750W	115V-750W 230V-1200W 230V-2000W 230V-3000W	X

Dimensions :

voir fig. 12

Matériaux :

Serpentin d'échangeur de chaleur, réservoir et raccords : acier inox AISI 316 ;
enveloppe extérieure et supports de fixation : acier inox AISI 304 ;

Corps de chauffe :

cuivre nickelé

Isolation :

polyuréthane

Soupape de sécurité :

7 bar

Dimensions Basic

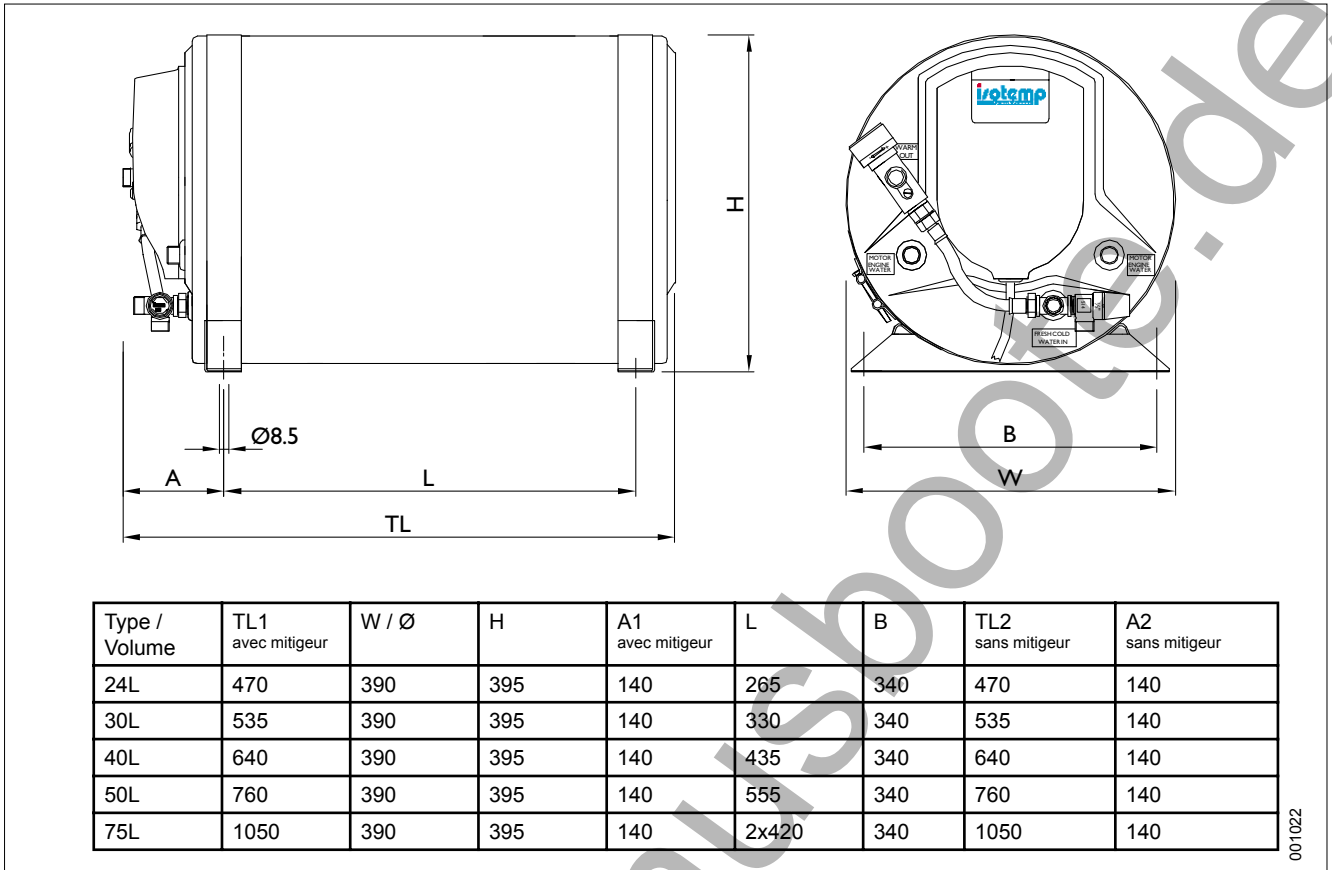


Fig. 12

8.2 Slim/B

Typ	Volume lit.	Poids kg	Corps de chauffe	Options du corps de chauffe	Mitigeur thermostatique
601531S000000	15	10.5	230V-750W	115V-750W	-
601531S000003	15	10.5	230V-750W	115V-750W	X
602031S000000	20	12	230V-750W	115V-750W	-
602031S000003	20	12	230V-750W	115V-750W	X
602531S000000	25	13.5	230V-750W	115V-750W	
602531S000003	25	13.5	230V-750W	115V-750W	X

Dimensions :

voir fig. 13

Matériaux :

serpentin d'échangeur de chaleur, réservoir et raccordement : acier inox AISI 316;
 enveloppe extérieure et supports de fixation : acier inox AISI 304;

Corps de chauffe :

cuiivre nickelé

Isolation :

polyuréthane

Soupape de sécurité :

7 bar

Dimensions Slim/B

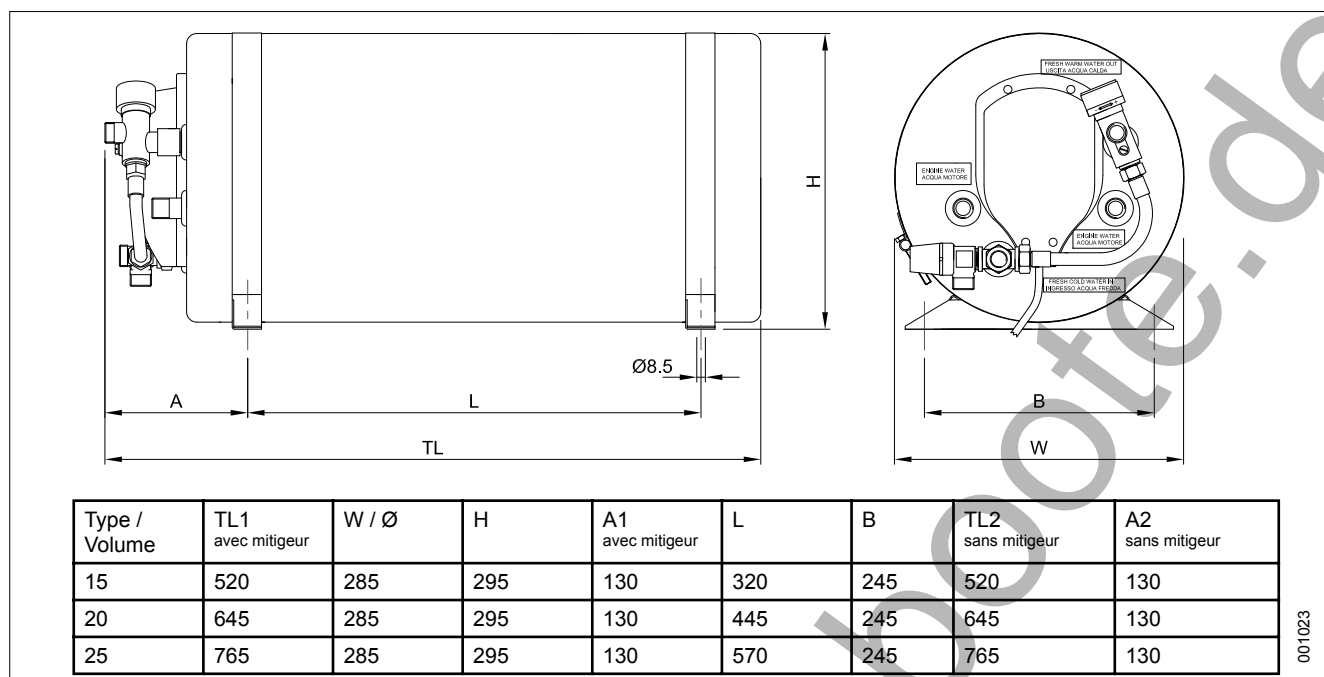


Fig. 13

8.3 Slim Square

Type	Volume lit.	Poids kg	Corps de chauffe	Options du corps de chauffe	Mitigeur thermostatique
601631Q000000	16	16	230V-750W	115V-750W	-
601631Q000003	16	16	230V-750W	115V-750W	X

Dimensions: voir fig. 14
 Matériaux : serpentín d'échangeur de chaleur, réservoir et raccords : acier inox AISI 316 ;
 enveloppe extérieure et supports de fixation : acier inox AISI 304 ;
 Frontons externes : plastique.
 Corps de chauffe : cuivre nickelé
 Isolation : polyuréthane
 Soupape de sécurité : 5,5 bar

Plan d'encombrement du modèle Slim Square

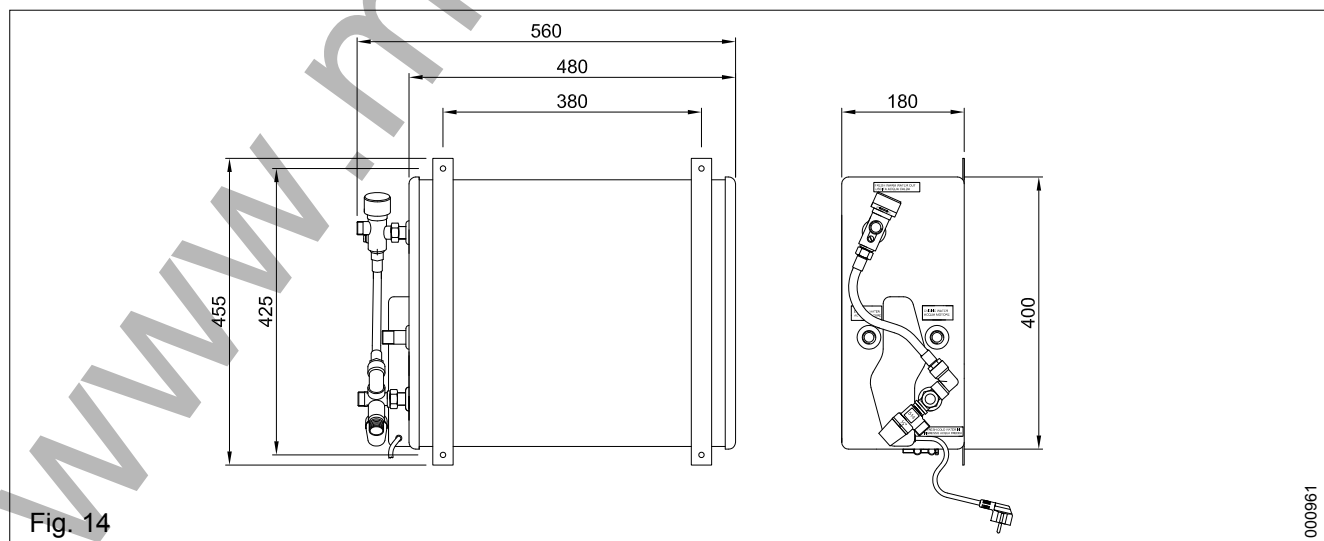


Fig. 14

Innehållsförteckning

1. Säkerhetsanvisningar
2. Placering tank
3. Montering
4. anslutningar
 - 4.1 Nipplar
 - 4.2 Slangar
 - 4.3 Anslutning till motorn
 - 4.4 Färskvattensystem
 - 4.5 Elanslutningar
5. Uppstart/test
6. Underhåll
 - 6.1 Vintertömning
 - 6.2 Byte termostater
 - 6.3 Byte elpatron
7. Dubbla motorvattenslingor
8. Tekniska data
 - 8.1 Basic
 - 8.2 Slim/B
 - 8.3 Slim Square

1 - Säkerhetsinstruktioner

Denna bruksanvisning är sammanställd för att vara vägledning till användandet av denna varmvattenberedare på ett säkert sätt.

Den innehåller information om användande och underhåll.

Läs igenom bruksanvisningen ordentligt så att du lär känna produkten på ett bra sätt och förvara denna bruksanvisning på ett lämpligt ställe ombord.

Det är viktigt att varmvattenberedaren monteras och sköts på rätt sätt. Under vintertid då beredaren inte användes måste den tömmas ordentligt på färskvatten så att frysskador på tank och ventiler undviks.

Varje varmvattenberedare är testad i produktion före leverans och har två års fabriksgaranti när det gäller felaktigheter i material och/eller tillverkning.

Indel Marine S.r.l. har inget ansvar för skador som uppstått på produkten eller personskador som kan ha uppstått i samband felaktig installation eller felaktigt handhavande.



Fara!

All 230V elinstallation ombord ska utföras av behörig personal. Varmvattenberedaren måste var ansluten till skyddsjord.



Fara!

Använd alltid rätt kabeldimension, rätt dimensionerad säkringsutrustning och jordfelsbrytare.



Varning!

Anslut inte varmvattenberedarens elpatron till nätström förrän beredaren är fylld med vatten.



Varning!

Vattnet i varmvattenberedaren blir lika varmt som motorn, risk för skållning!

OBS!

Läs noggrant igenom kapitel 4.5 om korrosionsrisker i samband med landströmsanslutning.

OBS!


Följ noggrant motortillverkarens rekommendationer vad gäller anslutning av beredaren till motorns kylsystem.

Miljö:

Denna produkt är märkt enligt EG direktiv 2002/96/EEC beträffande elektriskt och elektroniskt avfall (Waste Electrical and Electronic Equipment, WEEE).

Genom att säkerställa en korrekt kassering av denna produkt bidrar du till att förhindra potentiella, negativa konsekvenser för vår miljö och vår hälsa, som annars kan bli följden om produkten inte hanteras på rätt sätt.



Symbolen  på produkten, eller i medföljande dokumentation, indikerar att denna produkt inte får behandlas som vanligt hushållsavfall. Den skall i stället lämnas in på en lämplig uppsamlingsplats för återvinning av elektrisk och elektronisk utrustning. Produkten måste kasseras enligt lokala miljöbestämmelser för avfallshantering.

För mer information om hantering, återvinning och återanvändning av denna produkt, var god kontakta de lokala myndigheterna, ortens sophanteringstjänst eller butiken där produkten inhandlades.

2. Placering av beredaren

Varmvattenberedaren kan monteras var som helst i båten så länge den sitter monterad så att motorvattenslingan inte hamnar över nivån på motorns expansionskärl. (Fig. 1). Det är en fördel att hålla slangarna mellan motorn och beredaren så korta som möjligt för lägsta värmeförlust och minsta strömingsmotstånd. Varmvattenberedarens värmeväxlare kan anslutas antingen parallellt eller i serie med motorns kylvattenkrets. Valet avgörs av hur motortillverkaren anger att beredaren ska anslutas.

Konsultera motortillverkaren eller dess representant för att få rekommendationer beträffande montering och anslutning av motorvattenslangar till motor och varmvattenberedare.

I fall varmvattenberedaren måste placeras högre än motorns expansionskärl, måste motorvattenslangarna vara försedda med en avluftningsnippel på högsta punkten så att systemet kan avluftas på ett effektivt sätt. denna utrustning finns som tillbehör.

Anslutningsschema

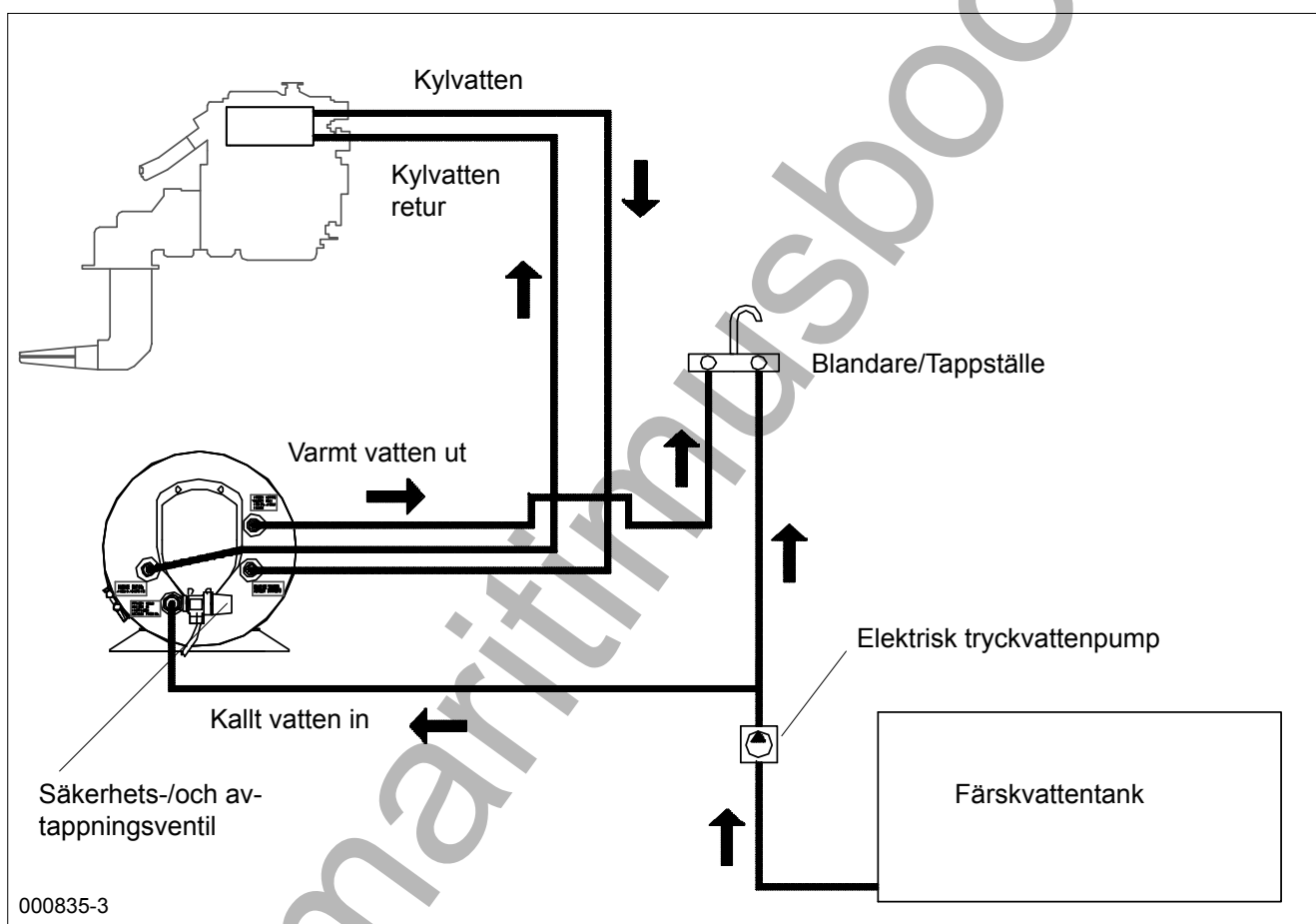


Fig. 1

3. Montering

Isotemp Basic, Slim & Slim Square är designade så att de kan monteras horisontellt eller vertikalt stadigt fastsatta i sina fästfötter. De ska alltid monteras så att anslutningarna är riktade neråt så att beredaren kan tömmas på sitt innehåll. Fötterna kan vridas runt beredaren på Basic och Slim för att underlätta montering även på ett skott. Beredaren ska alltid monteras så att säkerhetsventilen med avtappningsfunktion alltid sitter som lägsta punkt på beredaren. **Tänk på att beredarens vikt ökar med påfylld vattenvolym.** Montera varmvattenberedaren på ett sådant sätt att

tillräcklig plats finns framför alternativt under densamma för servicearbeten, som byte av elpatron, termostater, etc. Se fig. 2

Slim Square kan stå upp, ligga ner, eller vridas i alla möjliga lägen som kan ses i fig. 7.

Fig 3 visar vattenanslutningarna på Basic, fig. 4 Basic med dubbla slingor, fig. 5 Slim och fig. 6 Slim Square. Min. 30 cm fritt utrymme framför/under beredaren är att föredra för att underlätta service.

Isotemp Basic & Slim

Monteringsalternativ, horisontellt eller vertikalt.

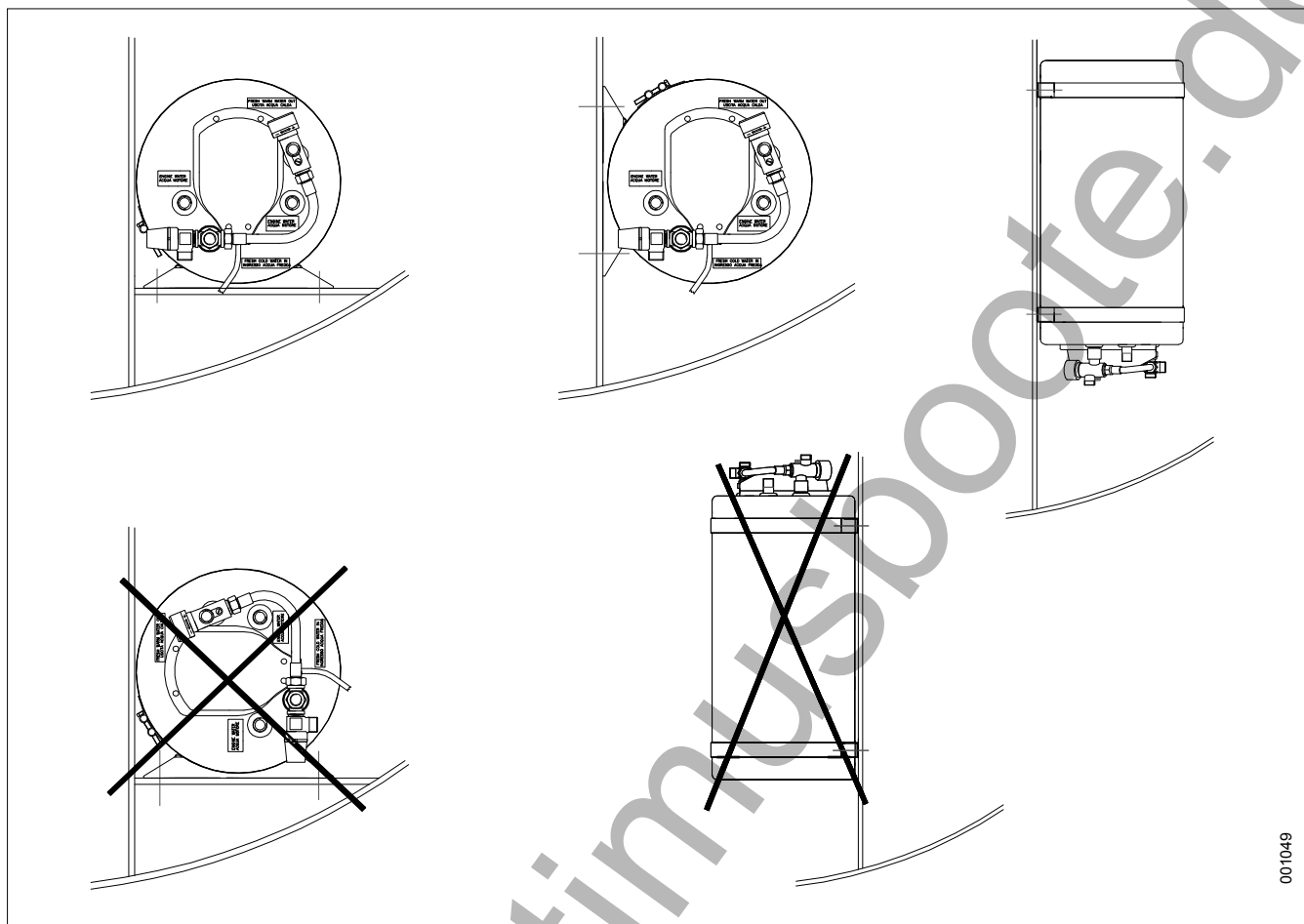


Fig. 2

Isotemp Basic med och utan termostatblandare

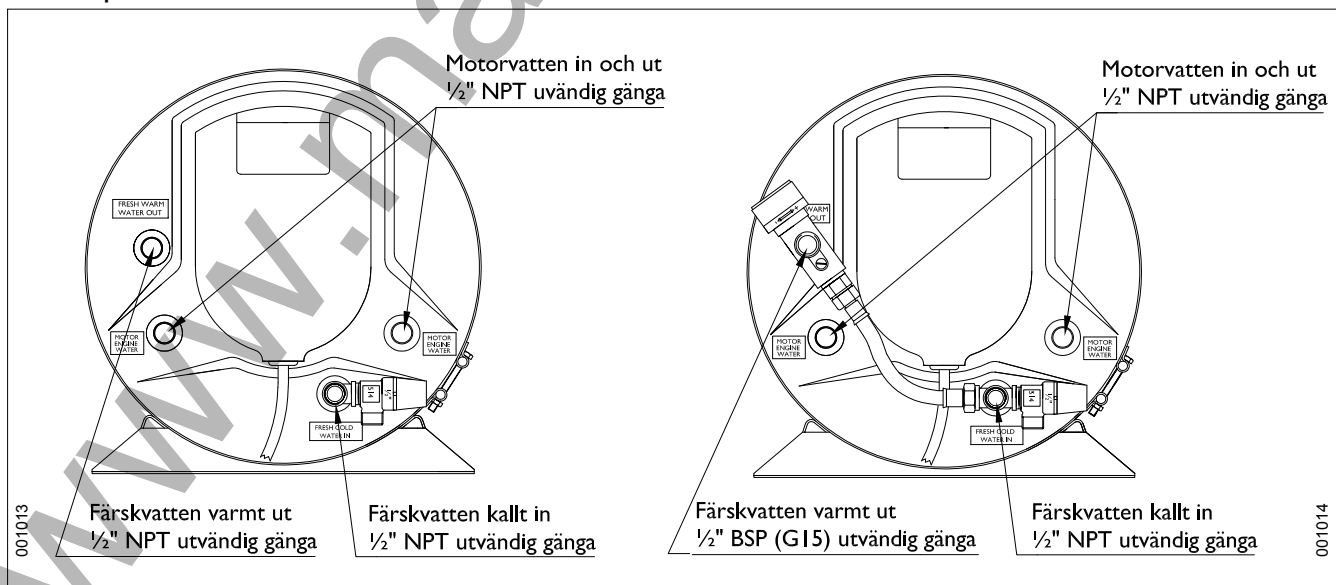


Fig. 3

Isotemp Basic med dubbla motorvattenslingor, utan och med blandningstermostat

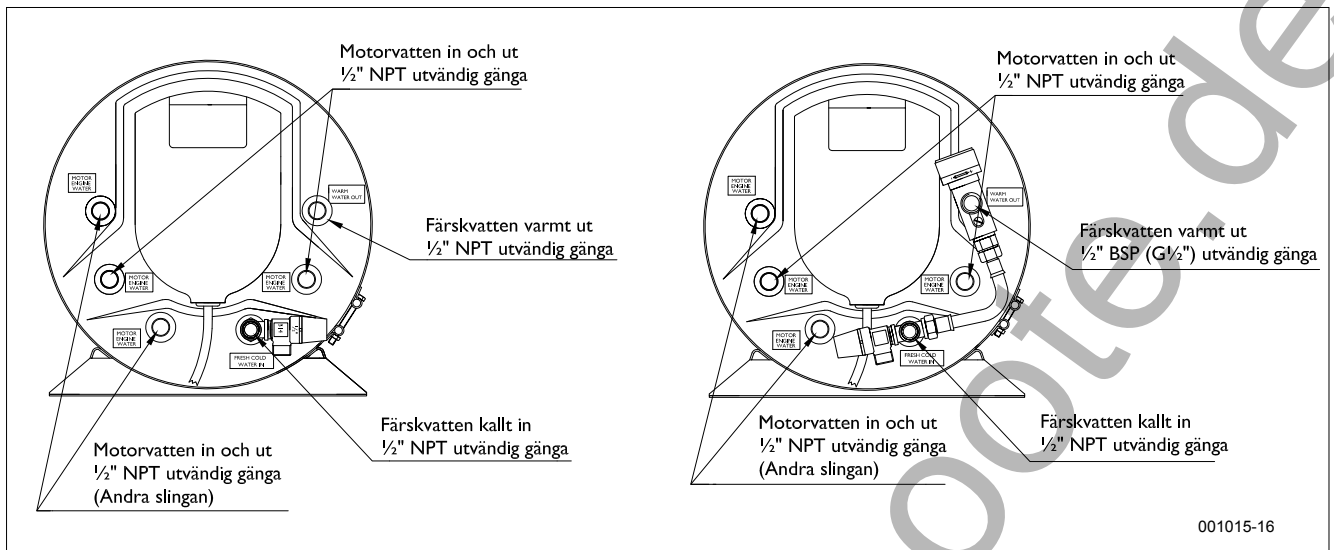


Fig.4

Isotemp Slim utan och med blandningstermostat

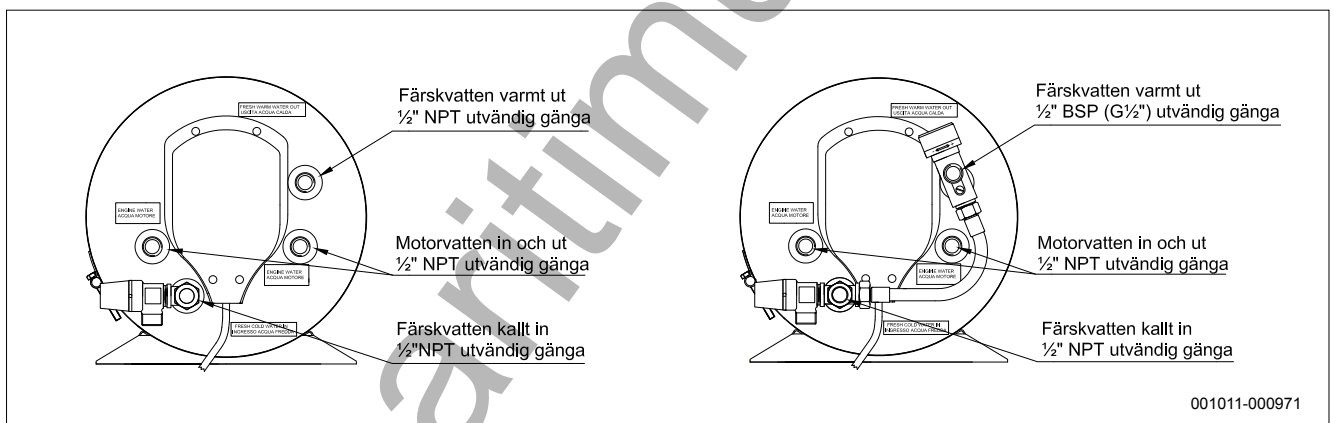


Fig. 5

Notera:

Slangnipplar med parallell G15 gänga (1/2" BSP) passar också på utvändig 1/2" NPT konisk gänga.

Slim Square utan och med blandningstermostat

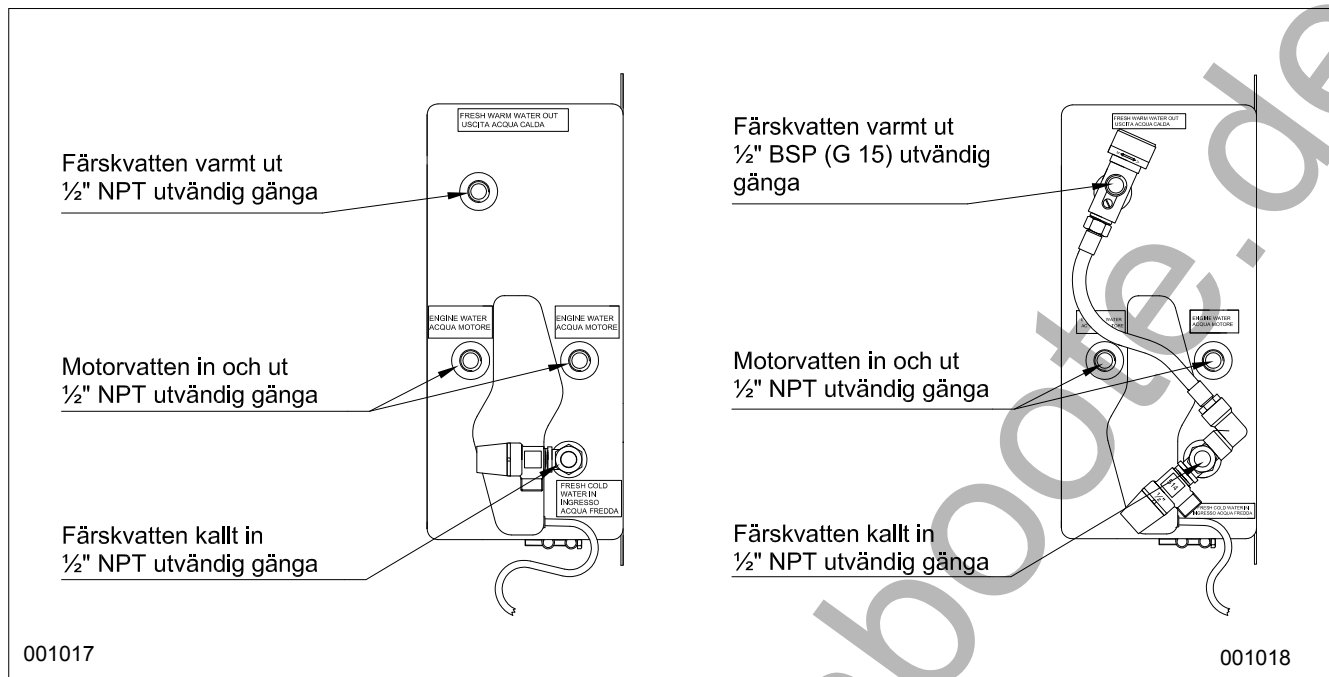


Fig. 6

Slim Square

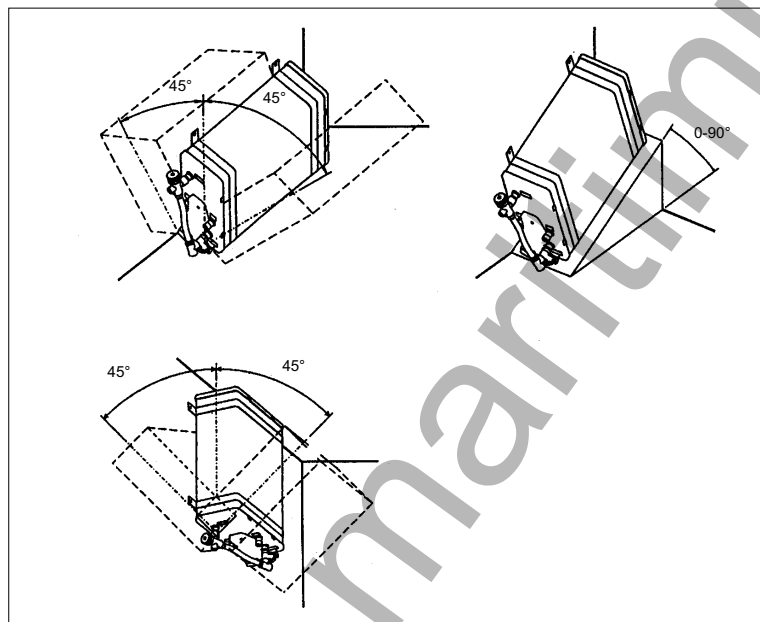


Fig. 7

4. Vattenanslutningar

4.1 Material: Använd enbart niplar, rörkrökar etc i korrosionsbeständigt material, som mässing eller rostfritt. Nippelsats för slanganslutningarna finns som tillbehör. Plastniplor ska undvikas av hållfasthetsskäl. ett plötsligt stort läckage kan orsaka utebliven motorkylning och utsprutande hett vatten.

4.2 Slangar: Använd enbart värmebeständig (min 100°C) vävförstärkt gummislang, resistent mot kylväska och som klarar 5 bars tryck,

till kylvätskeslangarna. För färskvattenanslutningarna skall även slang användas som tål värme, 8 bars tryck och inte avger smak (livsmedelskvalitet). Detta gäller även anslutning för kallvatten in. Alla slangar säkras ordentligt med slangklämmor. Gängade anslutningar tätas med gänglåsning/tätning typ Loctite 577, Bondline T777 eller liknande. Slangniplor med gänga G15 (1/2" BSP) passar på beredarens gängade anslutningar.

4.3 Motoranslutningar (se anslutningsschema, fig. 1):

Beredarna är avsedda att anslutas till färskvattenkylda motorer. Följ motortillverkarens uppgifter på lämpliga uttag på motors kylvattensystem, där slangnipplarna ska monteras. Uttagen ska ha sådan tryckskillnad, att god (minst 2 l/min) kylvattencirkulation till beredaren erhålles. Om båten har två motorer, ansluts beredaren till en av dem. Om två beredare monteras, ansluts dessa parallellt. Slangar, nipplar och rör skall ej vara av klenare dimension än beredarens anslutningar (16 mm / 5/8") för att förhindra strypningar.

Vid anslutning till små dieselmotorer på 10-15 hk kan det dock vara nödvändigt att minska flödet genom beredaren för att bibehålla motors kylkapacitet.

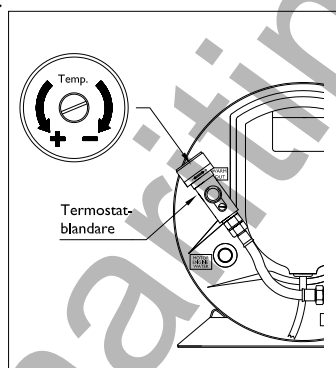
4.4 Anslutning färskvatten (se anslutningsschema, fig 1):

Beredaren är avsedd att kopplas in så att den förses med färskvatten av en elektrisk tryckvattenpump från vattentanken. Den elektriska vattentanken får ge max. 3,8 bar tryck, 2,9 bar för Slim Square, där en flermembranpump ger jämnare flöde och mindre tryckstötter. Vid högre tryck kommer säkerhetsventilen eventuellt att lösa ut vid 7,0 bar respektive 5,5 bar, vid uppvärmning av vattnet.

Varmvattenutloppet, som även avluftar beredaren, bör anslutas till blandarkranar vid respektive vask, så att alltid kallvatten kan blandas in för lämplig temperatur.

Varning! Tänk på att vattnet håller motortemperatur, risk för skällning!

Ställ in lämplig temperatur på beredarens termostatblandare, mellan 38 och 65°C, när en sådan finns monterad.



Om en slangnippel och slang monteras på säkerhetsventilens avlopp, G1/2", skall också denna vara värmebeständig och låsas med slangklammer. Slangen måste alltid ha ett fritt utlopp och ska inte anslutas kran och bordgenomföring.

Vid uppvärmning av vattnet expanderar detta, trycket stiger, och en mindre mängd kan spilla ut genom säkerhetsventilens avlopp. Det är normalt.

4.5 Elanslutningar

Se schema fig. 8

Allt är färdigkopplat till beredarens elpatron och den är försedd med sladd och jordad stickpropp. Sladden är kort för att markera att ett vägguttag skall finnas i direkt anslutning till beredaren. Vegguttaget ansluts till landströmsenhet med dubbelsäkring och jordfelsbrytare som skall finnas ombord. Dessa enheter liksom övrig fast elinstallation i båten avsedd att anslutas till elnätet, skall utföras enligt gällande bestämmelser. Varmvattenberedaren och dess elinstallation är utförd så att de uppfyller gällande EU-krav på detta område.

OBS! När båten lämnas en längre tid skall alltid beredarens stickpropp tas ur, så att även skyddsjord är bruten, detta även om båtens landströmsanslutning är frånslagen (inom vissa områden kan det i elsystemet uppstå en potentialskillnad mellan skyddsledningen och sjövattnet = båtens jord. Detta kan på sikt skada elpatronen, beredaren och andra metalldelar ombord). Installation av en isolationstransformator eliminerar risken för galvanisk korrosion vid landströmsanslutning.

Ta alltid ur stickproppen till elpatronen, eller på annat sätt bryt landströmsförbindelsen helt och hållet innan skyddskåpan framför elpatron och termostater tas bort. Elkretsen innehåller en driftstermostat på 75°C och ett överhettningsskydd på 96°C. Om överhettningsskyddet aktiverats måste det återställas manuellt genom att trycka ner återställarknappen. Se avsnitt 6:2 - Fig. 10.

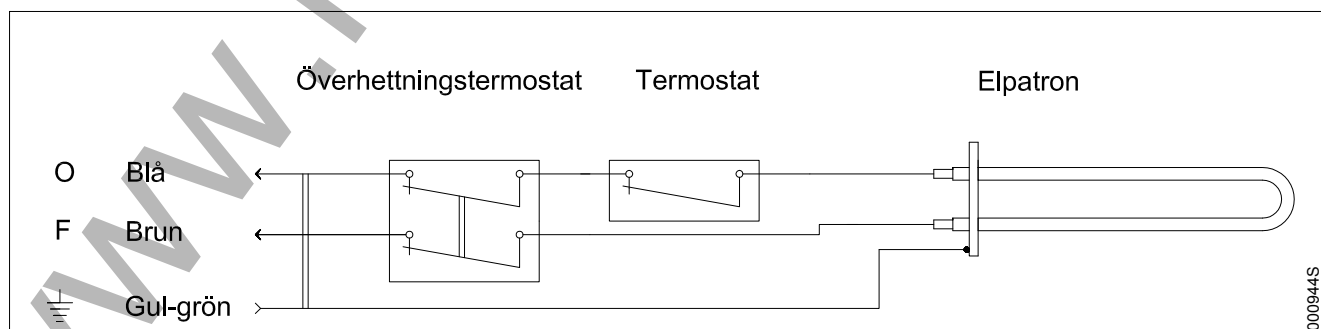


Fig. 8

000944S

5. Uppstart / provkörning

Fyll på färskvatten, genom att starta tryckvattenpumpen och låta varmvattenkranen vara öppen, så att luft och senare vatten strömmar ut. Kontrollera att inget vattenläckage förekommer. Koppla in elkontakten först sedan beredaren är helt fylld med vatten. Spillvattenledningen från säkerhetsventilen måste alltid ha fritt utlopp.

Starta båtmotorn och kontrollera att kylvatten-cirkulationen kommer igång genom beredarens motorvattenslinga.

Om slangarna dragits, så att luffickor bildats, kan det bli nödvändigt att avlufta dessa, genom att höja och sänka slangarna. Se till att slangarna blir riktigt fixerade. Kompensera vid behov kylvåtskan i motorns kylsystem för den volym som beredarens motorslinga och slangar representerar.

Sätt i sladden till elpatronen, slå på huvudbrytaren och kontrollera att elpatronen värmer vattnet.

Kontrollera att alla slanganslutningar är täta.

6. Underhåll

6:1 Vintertömning: Då frysrisk föreligger måste beredaren tömmas på färskvatten.

Ta av slangen för varmvatten ut på beredaren eller öppna luftskruven (M5 stjärnskruv) på blandningsventilen. Ta bort skruven helt och hållet för att säkerställa att luft kan komma in i beredaren.

Öppna säkerhetsventilens avtappningsfunktion genom att vrida det svarta vredet på säkerhetsventilen ett snäpp motsols. Vattnet kommer nu rinna ur via avtappningshålet i säkerhetsventilen.

Om motorns kylvattensystem inte har frostskyddsblandning, måste också kylsystem, slangar och rörslingan i beredaren tömmas ordentligt. Beredaren kan därefter sitta kvar ombord över vintern. Ta ur sladden så att beredaren inte kan torrkoras om båten anslutes till nätet.

6:2 Utbyte/återställning av termostat:

Varning: Bryt strömmen, ta ur sladden först!

Elpatronen är standard på 750 watt. Om elpatron med högre effekt användes finns risk för att många landströmsanläggningar överbelastas. Varmvattenberedaren har såväl drifts- som överhettningstermostater, som bryter strömmen vid 75°C respektive 96°C. Om överhettningsskyddet löst ut måste det manuellt återställas, genom att trycka in kontrollknappen. Se fig 10

Kontrollera också varför överhettningsskyddet löst ut, fungerar inte driftstermostaten? Inget vatten i beredaren?

Byte termostater: Ta av skyddskåpan i plast. Dra a kabelskorna från den termostat som ska bytas, notera kabelpositioner först!

Termostaternas känselkroppar är instuckna i ett dyrör mitt i beredaren, dra ut dem. Lossa termostatens (-ernas) fästskruv och ta bort termostaten. Montera nytt i motsatt ordning, tryck in känseländarna i dyrörret så långt det går.

OBS! när båten lämnas en lägre tid skall alltid beredarens stickpropp tas ur, så att även skyddsjord är bruten, detta även om landströmsanslutningen är fränslagen. Inom vissa områden kan det uppstå en potentialskillnad i elsystemet mellan landjord och sjövattnet=båtens jord, som kan skada elpatron, varmvattenberedare, motor och/eller propeller och drev.

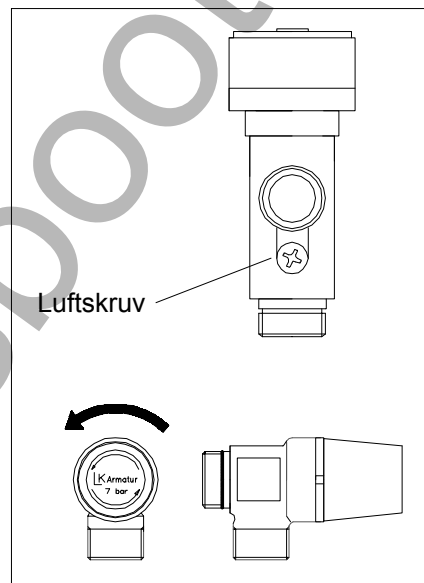


Fig. 9

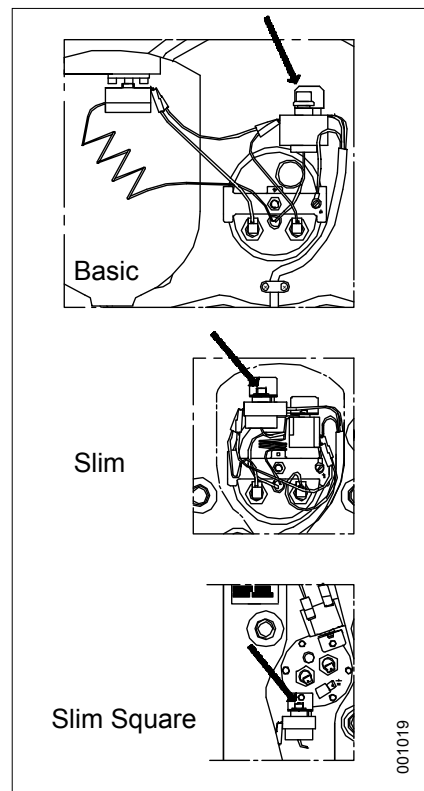


Fig. 10

6:3 Utbyte av elpatron:

**Varning! Stäng av strömmen först!
Dra ur sladden. Töm tanken på vatten.**

Basic och Slim

Skruva loss plastkåpan. Lossa termostaten (Slim) och överhettningsskyddet från sina fästen för att lättare komma åt elpatron med fästbricka. Ta loss elkablarna från elpatronen. Skruva loss låsbygeln, fig. 11B, elpatronen med fästbricka faller eventuellt in i beredaren. Sätt på muttern, fig. 11A, igen på den gängade centrumbulten, det blir lättare att hålla i hela enheten då.

Vrid fästplattan med elpatron inne i tanken 90° till vänster så att sladdfästena sitter åt höger, sväng hela enheten så att den tar i väggen inne i tanken till vänster, över motorvattenslingans rör. Trä ut hela enheten genom hålet med vänstersidan först, det kan vara lättare om gummipackningen först har krängts av inåt.

Lossa elpatronen från fästplattan, (NV 19 mm), montera sedan ny elpatron med nya styrningar och gummipackningar. Montera tillbaka hela enheten i omvänd ordning, men sätt på den stora gummitätningen först.

Elpatronen ska efter montering peka lite nedåt i tanken, sitta parallell med dykröret.

Slim Square

Elpatronen på Slim Square sitter fast i en rund bricka som är fastsatt med sex skruvar mot en fläns på beredaren. Se fig. 11. Den har en slät gummipackning.

Notera i vilket läge fästbricka med elpatron är monterad.

Först, dra av elkablarna från elpatronen. Lossa de sex skruvarna, elpatronen med bricka kan nu dras ut.

Skruva loss elpatronen från brickan (NV 19 mm), montera ny elpatron med nya stödringar och gummitätningar. Montera elpatron med fästbricka tillsammans med ny gummitätning i samma position som tidigare.

7. Basic 40 & 75 L med dubbla motorvattenslingor

Den båda motorvattenslingornas anslutningar framgår av fig. 4. Båda slingorna har anslutningar på beredarens framgavel. Utbyte av elpatron utföres som beskrivs ovan för Basic. Se fig. 4.

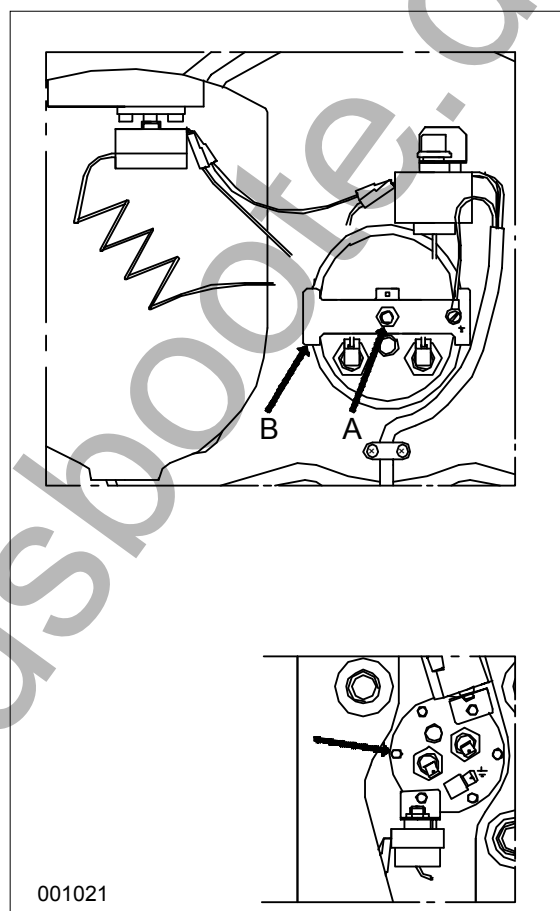


Fig. 11

8. Tekniska data

8.1 Basic

Typ	Volym lit.	Vikt kg	Elpatron	Elpatron tillval	Termostatblandare
602431B000000	24	14	230V-750W	115V-750W	-
602431B000003	24	14	230V-750W	115V-750W	X
603031B000000	30	17	230V-750W	115V-750W	-
603031B000003	30	17	230V-750W	115V-750W	X
604031B000000	40	20	230V-750W	115V-750W 230V-1200W	-
604031B000003	40	20	230V-750W	115V-750W 230V-1200W	X
604031BD00000 (Dubbla slingor)	40	22	230V-750W	115V-750W 230V-1200W	-
604031BD00003 (Dubbla slingor)	40	22	230V-750W	115V-750W 230V-1200W	X
605031B000000	50	23	230V-750W	115V-750W 230V-1200W 230V-2000W	-
605031B000003	50	23	230V-750W	115V-750W 230V-1200W 230V-2000W	X
607531B000000	75	29	230V-750W	115V-750W 230V-1200W 230V-2000W 230V-3000W	-
607531B000003	75	29	230V-750W	115V-750W 230V-1200W 230V-2000W 230V-3000W	X
607531BD00000 (Dubbla slingor)	75	31	230V-750W	115V-750W 230V-1200W 230V-2000W 230V-3000W	-
607531BD00003 (Dubbla slingor)	75	31	230V-750W	115V-750W 230V-1200W 230V-2000W 230V-3000W	X

Dimensioner:

Se fig 12

Material:

Värmeväxlarrör, innertank och anslutningar: Rostfritt syrafast stål SIS2343

Ytterskal och fästfötter: Rostfritt stål SIS2333

Elpatron:

Nickelpläterad koppar

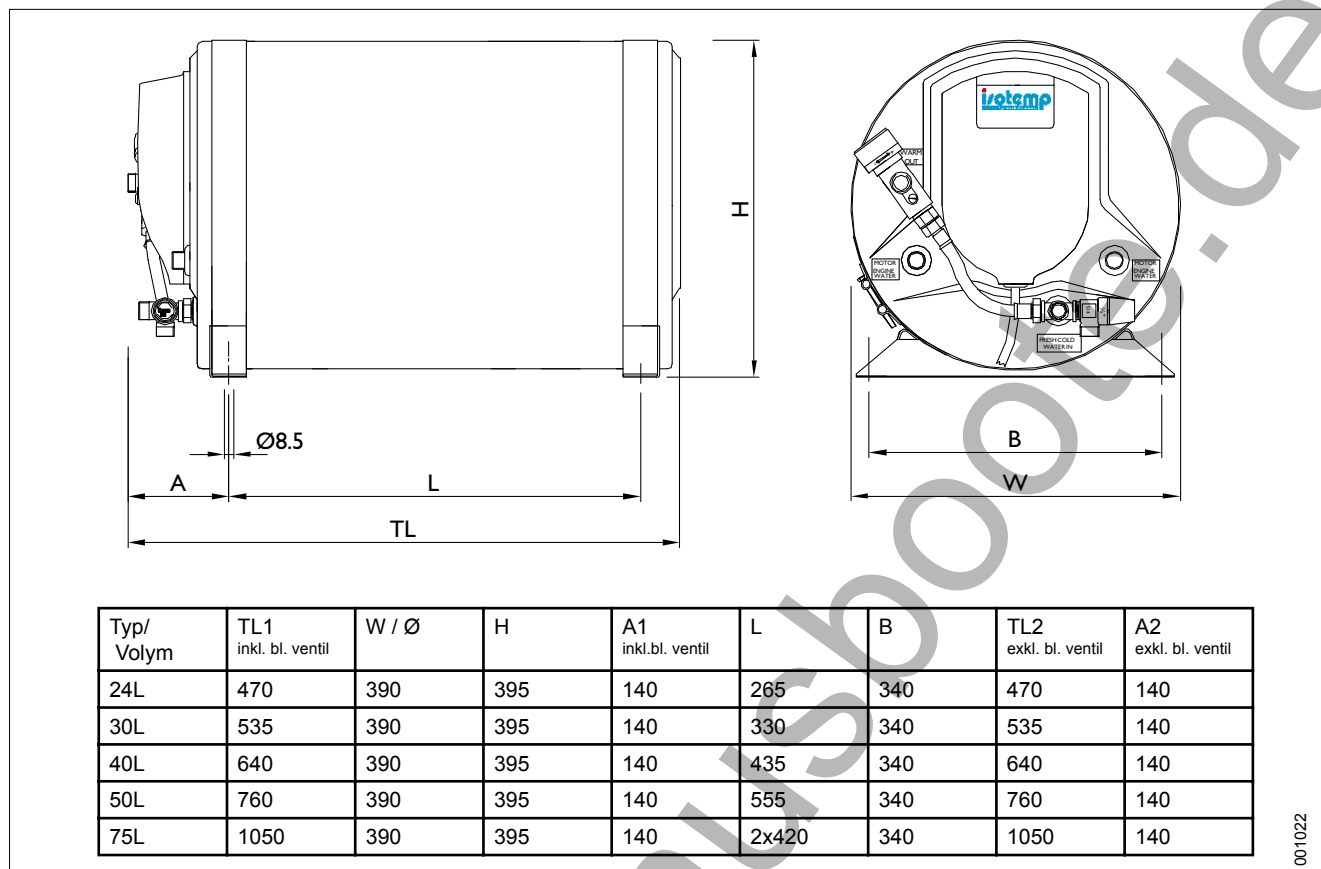
Isolering:

Polyuretan

Säkerhetsventil:

7 bar

Dimensioner Basic



001022

Fig. 12

8.2 Slim/B

Typ	Volym lit.	Vikt kg	Elpatron	Elpatron tillval	Termostat-blandare
601531S000000	15	10.5	230V-750W	115V-750W	-
601531S000003	15	10.5	230V-750W	115V-750W	X
602031S000000	20	12	230V-750W	115V-750W	-
602031S000003	20	12	230V-750W	115V-750W	X
602531S000000	25	13.5	230V-750W	115V-750W	
602531S000003	25	13.5	230V-750W	115V-750W	X

Dimensioner:

Se fig 13

Material:

Värmeväxlarrör, innertank och anslutningar: Rostfritt syrafast stål SIS2343

Ytterskal och fästfötter: Rostfritt stål SIS2333

Elpatron:

Nickelpläterad koppar

Isolering:

Polyuretan

Säkerhetsventil:

7 bar

Dimensioner Slim/B

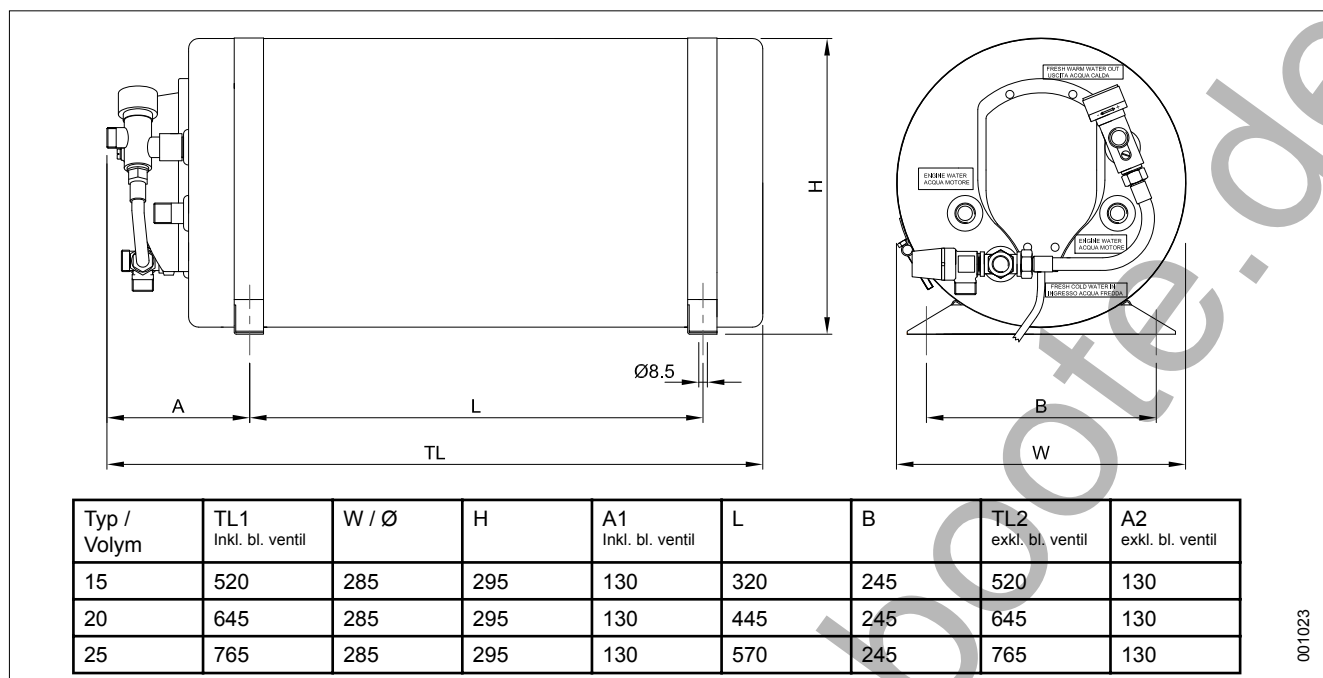


Fig. 13

8.3 Slim Square

Typ	Volym lit.	Vikt kg	Elpatron	Elpatron tillval	Termostatblandare
601631Q000000	16	16	230V-750W	115V-750W	-
601631Q000003	16	16	230V-750W	115V-750W	X

Dimensioner: Se fig 14
 Material: Värmeväxlarrör, innertank och anslutningar: Rostfritt syrafast stål SIS2343
 Yttersvep och fästfötter: Rostfritt stål SIS2333. Yttergavlar i plast.
 Elpatron: Nickelpläterad koppar
 Isolering: Polyuretan
 Säkerhetsventil: 5.5 bar

Slim Square Dimensioner

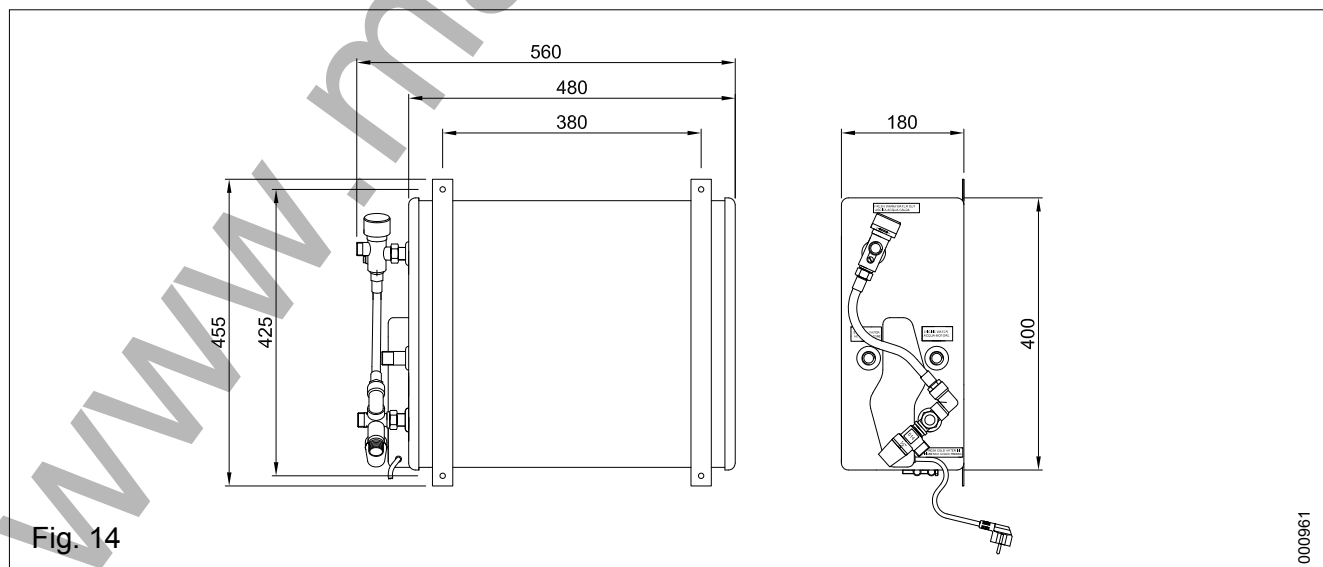


Fig. 14

Índice

ES

1. Reglas de seguridad
2. Ubicación del tanque
3. Montaje
4. Conexiones
 - 4.1 Accesorios
 - 4.2 Mangueras
 - 4.3 Conexiones al motor
 - 4.4 Conexiones del sistema de agua dulce
 - 4.5 Conexiones eléctricas
5. Puesta en marcha/Prueba
6. Mantenimiento
 - 6.1 Preparación para el invierno
 - 6.2 Cambio del termostato
 - 6.3 Cambio del elemento calentador
7. Intercambiador de calor doble
8. Especificaciones técnicas
 - 8.1 Basic
 - 8.2 Slim/B
 - 8.3 Slim Square

1 - Reglas de seguridad

Este manual ha sido redactado para ayudarle a utilizar su calentador de agua de una manera segura y agradable. El manual incluye información sobre la operación y el mantenimiento del calentador. Lea atentamente el manual, familiarícese con el producto y conserve el manual en un lugar seguro a bordo.

Es importante que su calentador de agua sea instalado y mantenido correctamente. Durante el período invernal, cuando la unidad está fuera de uso, es fundamental vaciar el agua para evitar el riesgo de daños por congelamiento.

Todos los calentadores son probados a presión antes de la entrega e incluyen una garantía de fabricación de 2 años por defectos de material o mano de obra.

Indel Marine S.r.l. no asume ninguna responsabilidad por daños en los equipos o lesiones del personal que puedan surgir de la instalación u operación inadecuada de este producto.



¡Peligro!

Todas las instalaciones eléctricas a bordo deben ser efectuadas por especialistas autorizados. El calentador de agua debe conectarse debidamente a tierra con el sistema de CA.



¡Peligro!

Usar siempre el tamaño de cable metálico recomendado, fusible/disyuntor automático y un interruptor accionado por corriente de pérdida a tierra.



¡Aviso!

No conectar el elemento calentador a la red eléctrica antes de que el tanque del calentador de agua esté lleno de agua.



¡Aviso!

Riesgo de quemaduras, el agua caliente en el calentador de agua estará tan caliente como el motor.

¡Precaución!

Tener en cuenta el capítulo 4.5 Conexiones eléctricas en cuanto al riesgo de corrosión vinculado con la alimentación exterior.


¡Precaución!

Seguir atentamente las instrucciones del fabricante del motor en cuanto a la conexión al sistema de refrigeración del motor.

Consideraciones ambientales:

Este artefacto está marcado conforme a la Directiva europea 2002/96/EC sobre residuos eléctricos y electrónicos (WEEE).

Asegurándose de que este producto sea eliminado correctamente, usted contribuye a evitar las consecuencias negativas potenciales para el medio ambiente y la salud humana, que, de lo contrario, podrían ser causadas por el tratamiento inadecuado de los residuos de este producto.

El símbolo  en el producto, o en los documentos que lo acompañan, indica que este artefacto no puede ser tratado como residuo doméstico.

En cambio, debe ser llevado hasta la planta de recolección aplicable para el reciclaje de equipos eléctricos y electrónicos. Su eliminación debe efectuarse de conformidad con las regulaciones ambientales locales para la eliminación de residuos.

Para una información más detallada sobre la manipulación, la recuperación y el reciclaje de este producto, póngase en contacto con su oficina municipal local, su servicio de eliminación de residuos domésticos o la tienda donde compró el producto.

2. Ubicación del tanque

El calentador de agua puede colocarse en cualquier lugar del barco, siempre y cuando las conexiones del intercambiador de calor del motor estén por debajo del depósito de agua de refrigeración del motor (Fig. 1). Es mejor si las mangueras entre el motor y el intercambiador de calor son lo más cortas posibles para que las pérdidas de calor y caudal sean mínimas. En muchas instalaciones, el intercambiador de calor del tanque se conecta simplemente en serie con el circuito de refrigerante del motor. En algunas instalaciones, se conecta en paralelo con un limitador/desviador de caudal.

La elección depende de las recomendaciones específicas del fabricante del motor o del instalador. Consulte al fabricante o distribuidor de su motor para más recomendaciones sobre la conexión con el sistema de refrigerante del motor.

Si el tanque debe colocarse por encima del depósito de agua de refrigeración del motor, el circuito de la manguera de agua del motor debe tener una válvula de purga en el punto más alto. La válvula está disponible como equipo adicional.

Esquema de circuito principal

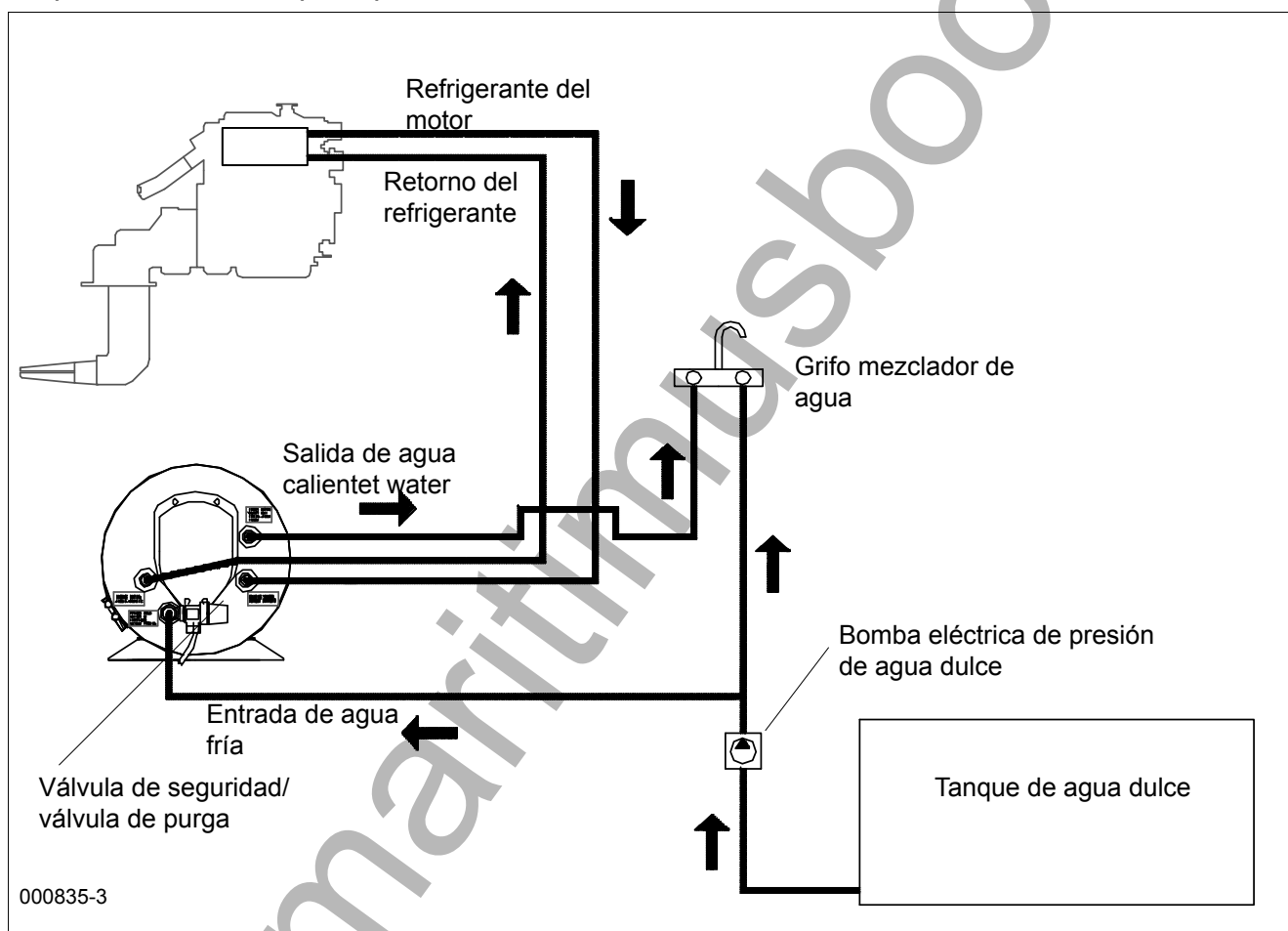


Fig. 1

3. Montaje

Los calentadores de agua Isotemp Basic, Slim y Slim están diseñados para proporcionar un resultado excelente tanto en posición horizontal como vertical. La válvula de desagüe / seguridad debe estar siempre en el punto más bajo. Los soportes de montaje pueden ajustarse en el costado de Basic o Slim para montar el tanque en un mamparo. Montar siempre el tanque en un estante o mamparo y **tener en cuenta que el peso del tanque aumenta cuando está lleno de agua.**

Véanse las posiciones de montaje alternativas en la figura 2.

Slim Square puede colocarse en posición vertical u horizontal, o en las posiciones alternativas indicadas en la figura 7. La figura 3 muestra el Basic, la figura 4, el Basic con dos serpentines, la figura 5 muestra el Slim y la figura 6, las conexiones de la manguera de agua de Slim Square. Es preferible mantener un espacio libre de aproximadamente 30 cm delante del calentador de agua para medidas de mantenimiento futuras.

Isotemp Basic y Slim

Alternativas de montaje, horizontal o vertical.

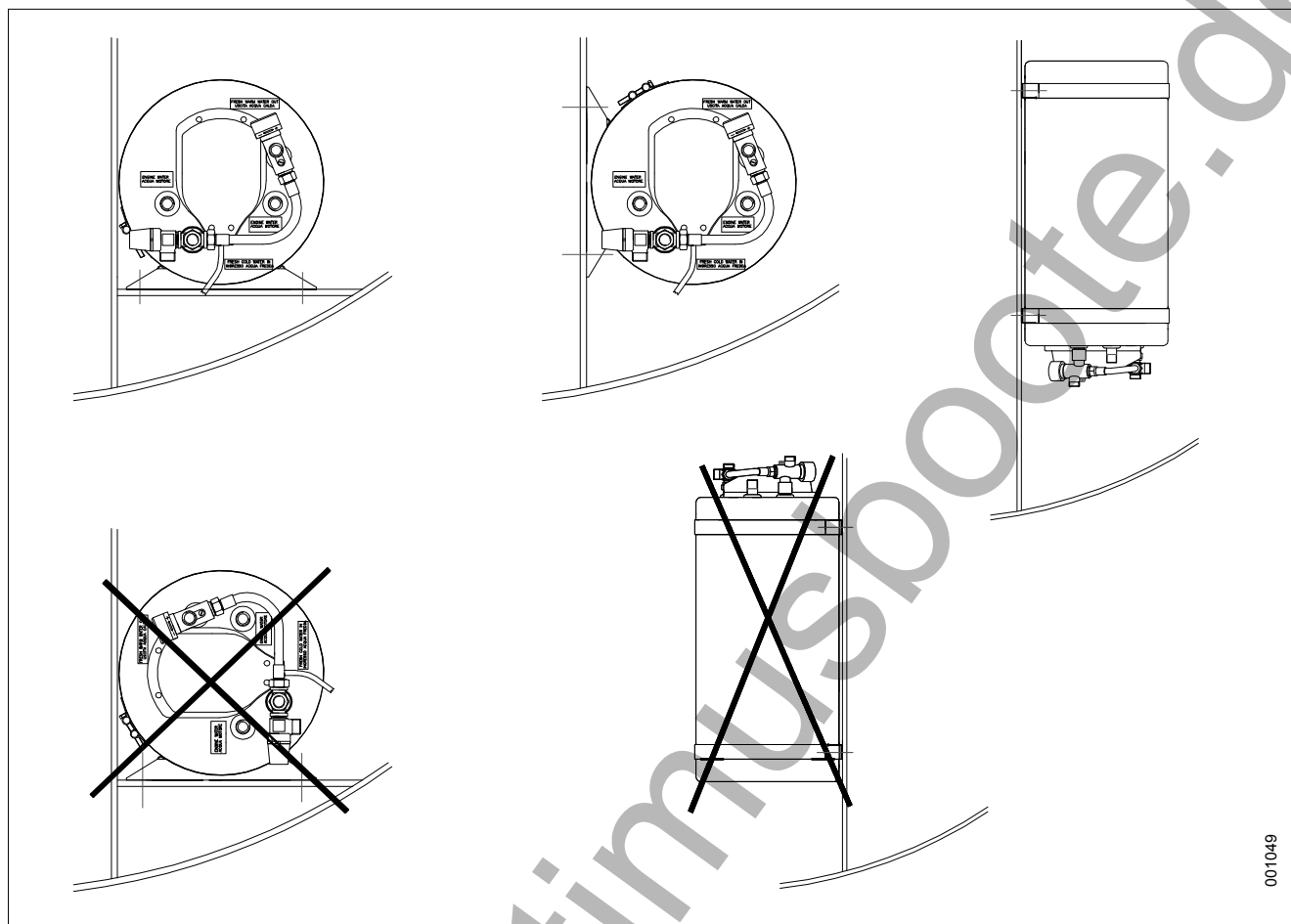


Fig. 2

Isotemp Basic, sin y con una válvula mezcladora de termostato

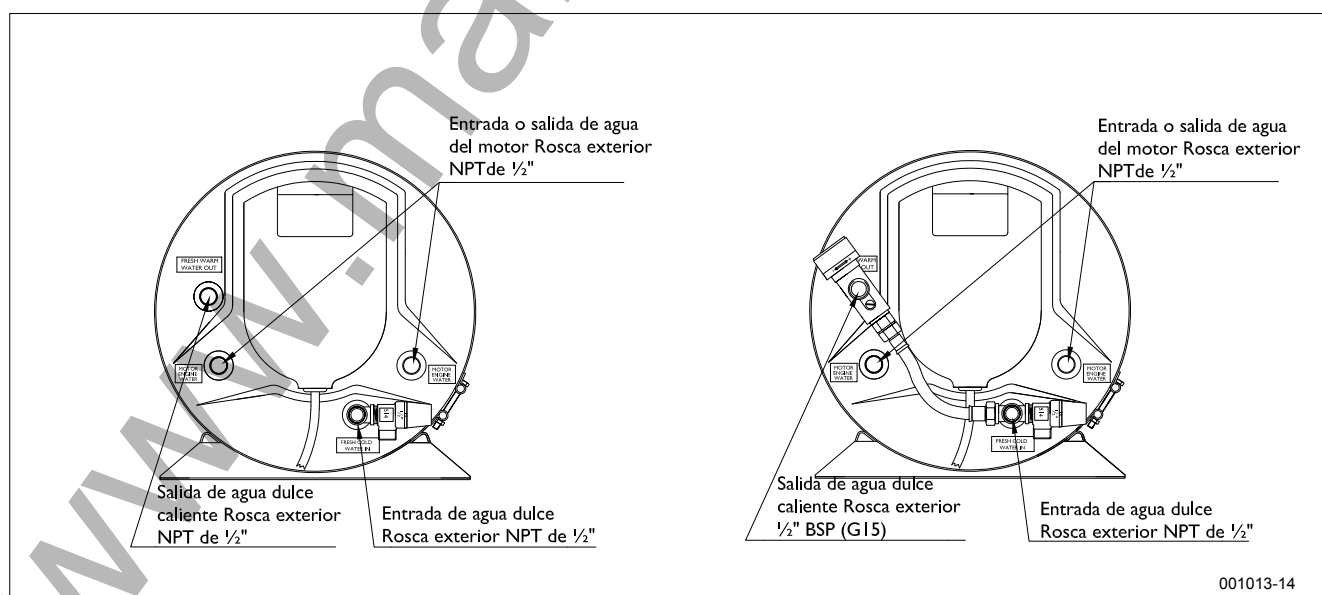


Fig. 3

Isotemp Basic con dos serpentines, sin y con válvula mezcladora de termostato

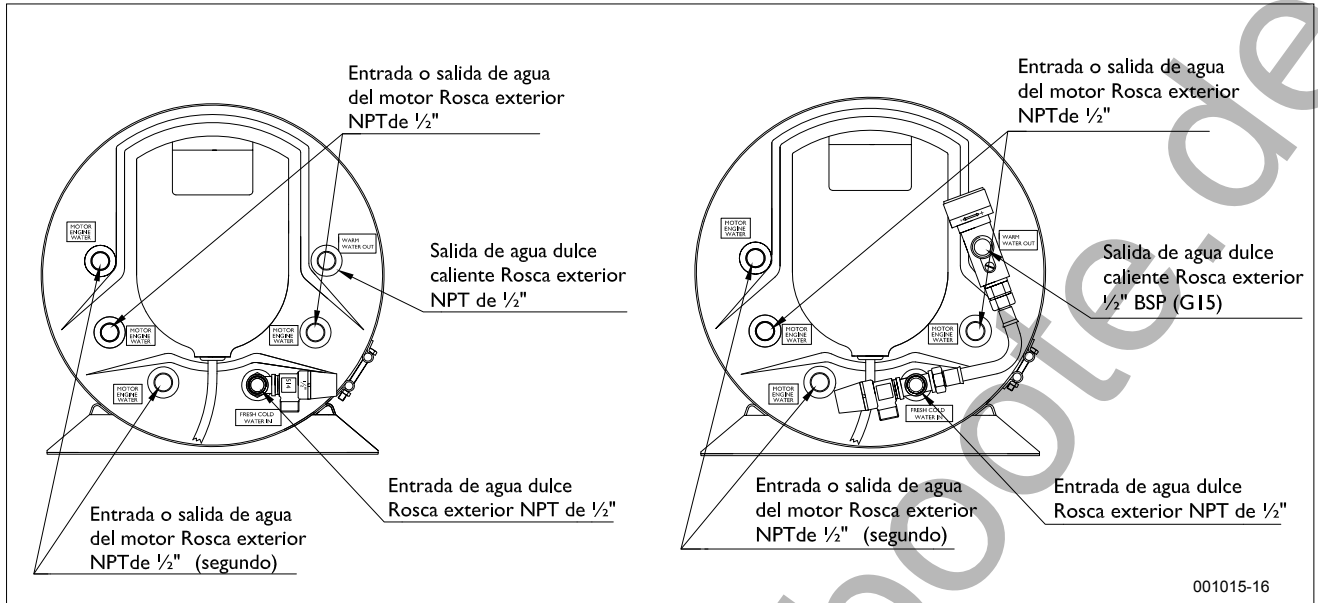


Fig.4

Isotemp Slim, sin y con válvula mezcladora de termostato

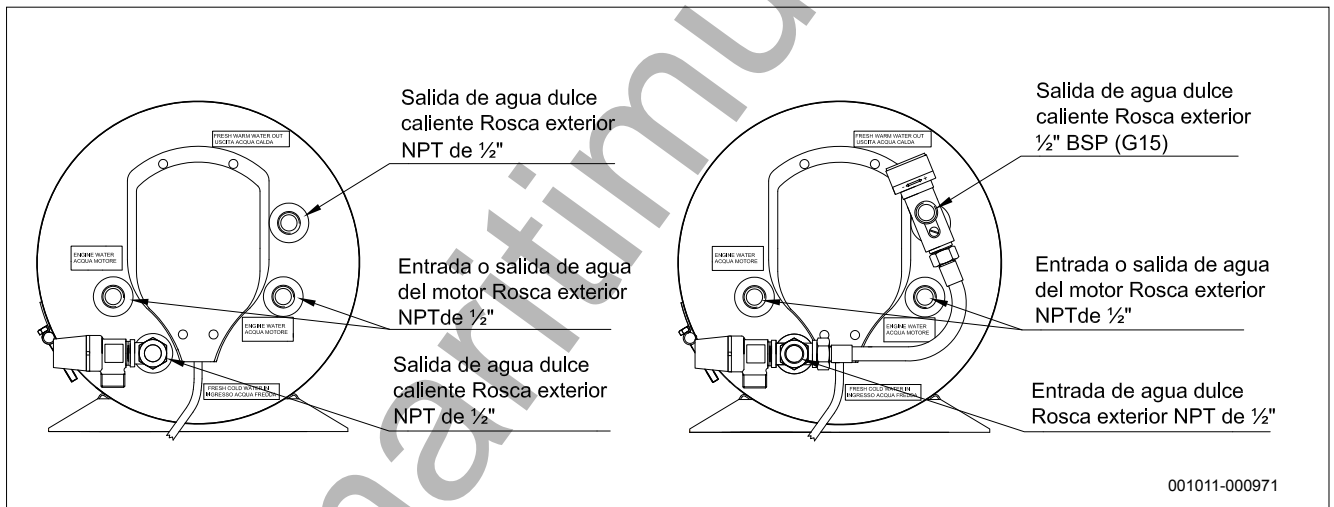


Fig. 5

Nota:

Los racores de manguera con roscas BSP rectas de 1/2" también son idóneos para roscas exteriores NPT de 1/2".

Slim Square, sin y con válvula mezcladora de termostato

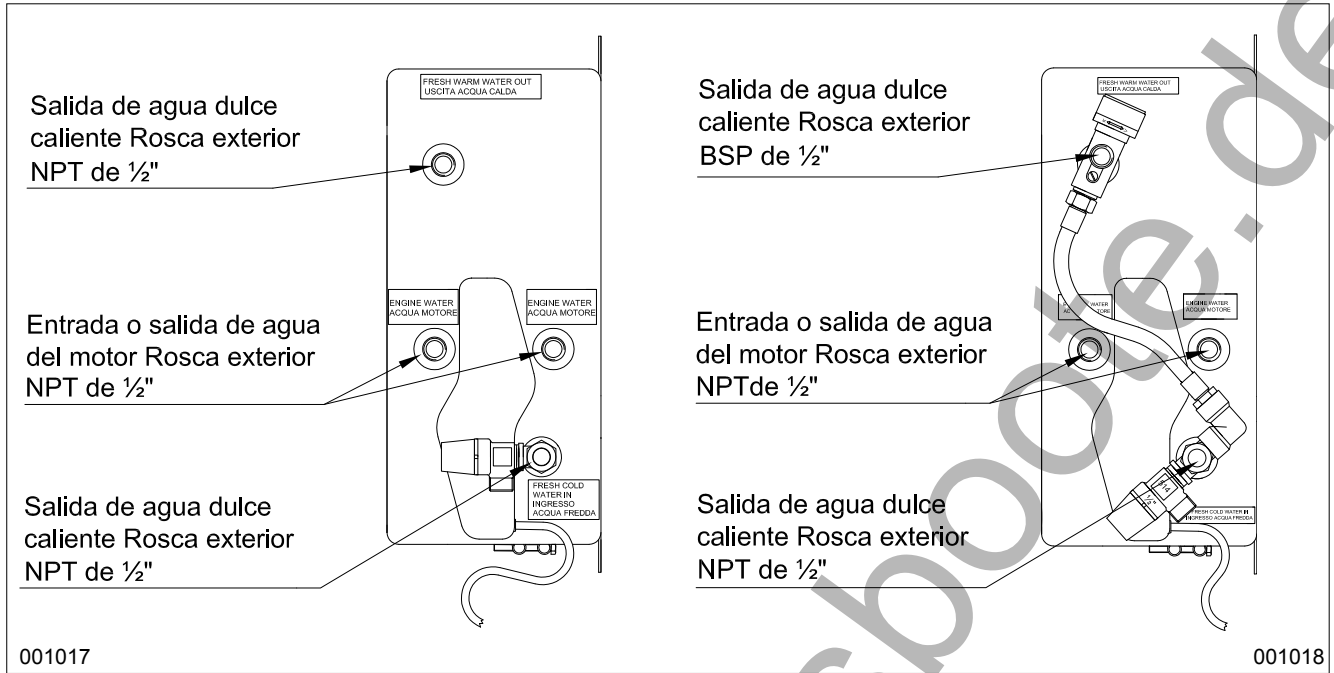
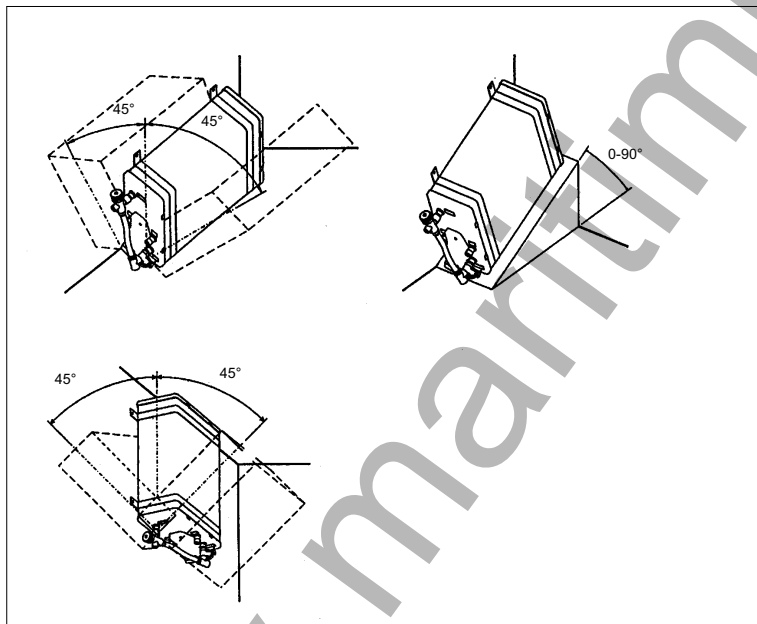


Fig. 6

Slim Square



Posiciones de montaje alternativas de Slim Square.
 Recuerde: la válvula de seguridad siempre en la posición más baja.

4. Conexiones

4.1 Materiales: Usar exclusivamente accesorios de materiales no corrosivos como latón o acero inoxidable. Evitar los accesorios de plástico en el calentador de agua debido al calor, salvo que estén especialmente fabricados para este propósito. Esto es importante porque una fuga en esta zona puede ocasionar un sobrecalentamiento repentino del motor y chorros de agua muy caliente.

4.2 Mangueras: Para las conexiones del motor, utilizar mangueras de goma reforzadas y resistentes al calor

(100 °C), resistentes a los anticongelantes y aprobadas para una presión de 5 bar. Para el agua dulce, entrada fría y Fig. 7 salida caliente, utilizar mangueras de agua dulce resistentes al calor (calidad de industria alimentaria). Deben tener una capacidad de 8 bar. Sujetar las mangueras cuidadosamente con abrazaderas. Sellar las conexiones roscadas con Loctite 577 o Bondline T777, por ejemplo.

Los racores de manguera con rosca G de 1/2" (BSP de 1/2") son idóneos para los conectores en el calentador de agua.

4.3 Conexiones al motor (véase el esquema eléctrico, fig. 1):

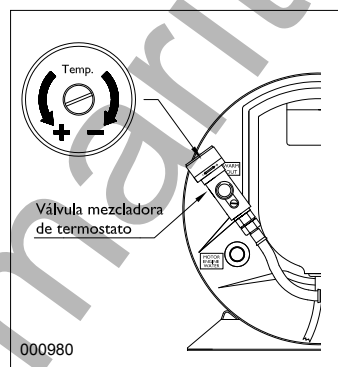
El calentador de agua puede utilizarse con motores enfriados por agua dulce. El caudal de agua de refrigeración desde el motor y a través del calentador de agua debe ser, como mínimo, de 2 litros/minuto. Si el barco tiene dos motores, conectar el calentador a uno de ellos. Si se instalan dos calentadores de agua, conectarlos en paralelo. La conexión al motor debe efectuarse con mangueras de 5/ 8" /16 mm como mínimo y adaptadores para evitar estrangulamientos. Para más información sobre los puntos de conexión de las mangueras, consultar las instrucciones en el manual de operación del motor.

Para la conexión a motores diesel pequeños de 10-15 CV puede ser necesario reducir el caudal a través del calentador para mantener la capacidad de refrigeración del motor.

4.4 Conexiones de agua dulce (véase el esquema eléctrico, fig. 1):

El calentador es alimentado con agua dulce desde la bomba eléctrica de presión en el sistema de agua. Presión de trabajo máx. para la bomba: 3,8 bar. Adviértase que la válvula de alivio de presión en el tanque está ajustada en 7,0 bar. La entrada de agua dulce se realiza en la válvula de seguridad. La salida de agua caliente, que también purga el aire del calentador, debe conectarse a un grifo mezclador en la salida del fregadero y/o del lavabo.

¡Aviso! ¡El agua caliente tiene la temperatura del motor, riesgo de quemaduras! Mezclar agua fría en los grifos. Si el calentador de agua está dotado de una válvula atemperadora (válvula mezcladora termostática), puede regularse una temperatura adecuada del agua caliente en la válvula atemperadora ajustable para evitar quemaduras. La temperatura puede regularse entre 38 y 65 °C.



La manguera de agua residual debe tener siempre una salida libre. No debe haber válvulas o adaptadores colocados en la manguera de agua residual. Esta manguera siempre debe tener una salida libre. Cuando se calienta el tanque, el agua se expande y puede salir una pequeña cantidad por el desagüe de la válvula de alivio de presión. Esto es normal e indica que el sistema funciona correctamente.

4.5 Conexiones eléctricas

Véase el esquema eléctrico, fig. 8

Todas las conexiones internas se realizan en la fábrica. El cable de alimentación eléctrica tiene un enchufe UE estándar que debe conectarse a una toma de corriente debidamente instalada. La instalación de esta toma de corriente, así como todas las instalaciones de "alta tensión" a bordo, deben ser efectuadas por un electricista autorizado para cumplir con las regulaciones de seguridad aplicables. El calentador de agua está diseñado para cumplir con las regulaciones a este respecto. La instalación del sistema de alimentación exterior a bordo debe incluir un interruptor accionado por corriente de pérdida a tierra.

Si se abandona el barco durante períodos prolongados, desconectar siempre el conector del cable de la toma de corriente. Esto debe efectuarse incluso si el sistema de alimentación exterior está desconectado, ya que puede existir una diferencia en el sistema eléctrico entre la tierra de protección y el agua circundante (= la tierra del barco). Esto puede dañar seriamente el calentador de agua o el elemento calentador.

La instalación de un transformador de aislamiento en el equipo de alimentación exterior elimina todo riesgo de corrosión galvánica a través de la conexión de alimentación exterior.

Desenchufar siempre el calentador y/o desactivar todos los disyuntores automáticos, y desconectar las conexiones de alimentación exterior antes de retirar la cubierta de las conexiones. El circuito eléctrico es controlado por un termostato de servicio ajustado a 75 °C y un protector contra recalentamiento doble que está ajustado a 96 °C. Si se dispara la protección contra recalentamiento, se la debe reponer de forma manual. Para ello, presionar el pequeño botón en la parte superior de la protección contra recalentamiento. Véase la sección 6:2.

Esquema eléctrico

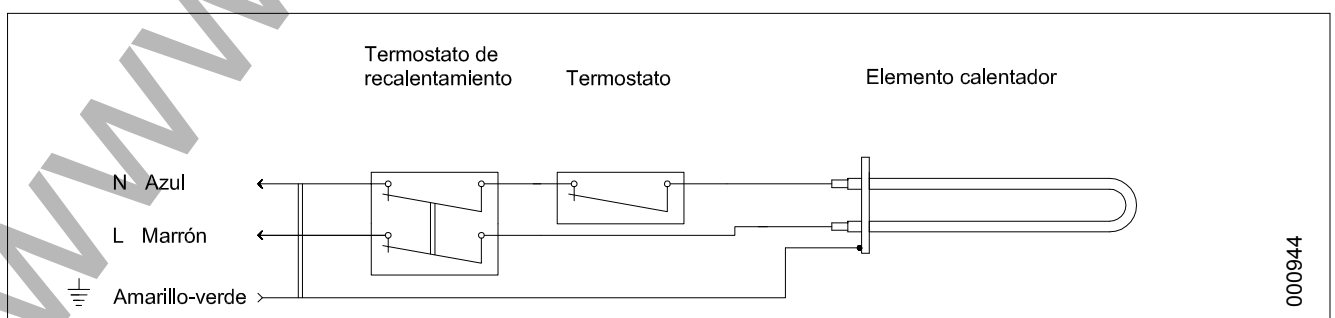


Fig. 8

5. Puesta en marcha/Prueba

Llenar el tanque de agua activando la bomba de presión de agua y abriendo una grifo de agua caliente para purgar el aire de las mangueras y / o la tubería. Controlar la válvula de desagüe y alivio de presión empujando la palanca. El agua saldrá por la manguera de desagüe. Asegurarse de que la manguera de desagüe no esté bloqueada ni cerrada. Volver a colocar la palanca en posición cerrada.

Arrancar el motor para controlar la circulación del refrigerante. Será necesario añadir refrigerante al sistema para compensar el volumen adicional del intercambiador y las mangueras. Controlar si hay bloqueos de aire en las mangueras de conexión, y subirlas y bajarlas lo necesario para eliminar el aire de las mangueras antes de asegurar éstas en su lugar. Por último, enchufar el tanque y activar el disyuntor automático. Comprobar que funcione correctamente.

6. Mantenimiento

6:1 Desagüe invernal: Cuando exista el riesgo de congelamiento debe vaciarse el tanque.

Para ello, quitar la manguera de agua caliente o abrir el tornillo de purga de aire instalado en la válvula mezcladora, si la hay. Retirar completamente el tornillo de purga de aire y abrir la válvula de desagüe girando el botón negro en sentido contrario a las agujas del reloj un paso en la válvula de seguridad. La válvula se cierra nuevamente girando el botón un paso más en sentido contrario a las agujas del reloj.

Si el motor es enfriado con agua bruta, el intercambiador de calor también debe vaciarse quitando las mangueras y soplando aire en los serpentines para evacuar todo resto de agua. A continuación, puede dejarse el tanque con seguridad en el barco durante el invierno. Si se va a dejar el barco durante un período prolongado, se recomienda desconectar el cable de alimentación para eliminar el riesgo de corriente parásita de las conexiones a tierra de la alimentación exterior.

6:2 Cambio / reposición del termostato:

Aviso: ¡Asegurarse de desconectar primero la corriente!

El calentador eléctrico es de 230 V – 750 W. El equipo termostático tiene un termostato que funciona de forma integrada y un termostato de recalentamiento doble. Éste se repone de forma manual presionando la espiga en la parte superior del termostato.

(Véase la fig. 10). Controlar también por qué el termostato de recalentamiento se disparó inicialmente antes de reconectar la alimentación eléctrica.

¡Desconectar la corriente! Extraer el enchufe del cable. Retirar la cubierta de plástico delantera (Basic y Slim 4 tornillos, Square 3 tornillos).

Reponer el termostato de recalentamiento.

Cambio de termostatos: Extraer las pinzas de los cables después de tomar nota de sus posiciones. Los extremos del sensor de termostato están introducidos en un tubo en la brida de sujeción del elemento calentador. Retirarlos.

Aflojar los tornillos de fijación para los termostatos. Montar los nuevos termostatos en el orden opuesto. Asegurarse de introducir bien los extremos del sensor en el tubo.

Cuando se deje el barco por un período prolongado, se recomienda desconectar el enchufe del cable de alimentación eléctrica. Esto debe hacerse incluso si el sistema de alimentación exterior está desconectado, dado que puede existir una diferencia en el sistema eléctrico entre el conductor de tierra de protección y la tierra de agua salada del barco. Esto puede dañar seriamente el calentador de agua y/o el motor con el equipo de propulsión.

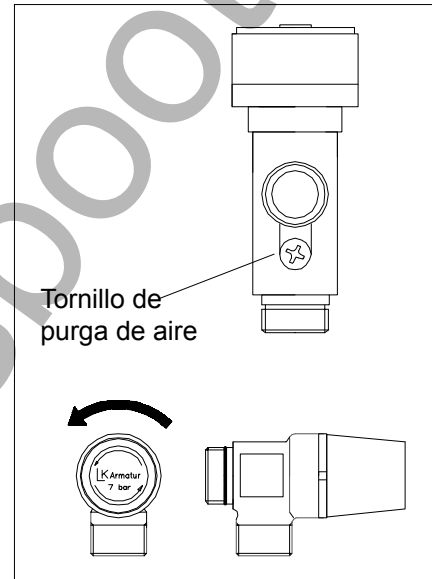


Fig. 9

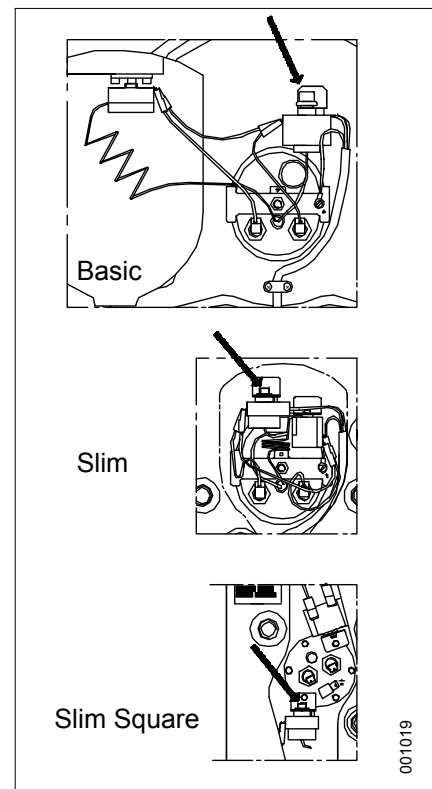


Fig. 10

6:3 Cambio del elemento calentador:

Aviso: ¡Asegurarse de desconectar primero la corriente!

Vaciar el agua del tanque.

Basic y Slim

Retirar la cubierta de plástico, aflojar los dos tornillos en los costados y empujar la cubierta hacia abajo. Retirar el termostato y el protector de recalentamiento de sus soportes para mejorar el acceso en el modelo Slim.

En el Basic pueden dejarse colocados durante el funcionamiento.

Retirar los alambres de las pestañas de los elementos calentadores.

Aflojar la tuerca central, fig. 11-A, y retirar el soporte, fig. 11-B.

Empujar hacia dentro la brida de montaje y la junta de goma, las mismas saldrán junto con la unidad del elemento calentador.

Girar la unidad del elemento calentador 90° hacia la izquierda, las pestañas del alambre deben apuntar hacia la derecha.

Girar la unidad hasta que el extremo interior toque el tanque a la izquierda. Extraer la unidad del elemento calentador a través del orificio empezando por el lado izquierdo.

Aflojar el elemento calentador de la brida de montaje. Montar el nuevo elemento calentador con nuevos aros de estanqueidad y una nueva junta de goma grande en el orden inverso al indicado anteriormente. El extremo interior del elemento calentador debe apuntar ligeramente hacia abajo después del montaje.

Slim Square

La unidad del elemento calentador en el modelo Square está fijada con seis tornillos en una brida que está fijada en el tanque.

Tiene una junta de goma. Véase la fig. 11

Primero, extraer los cables metálicos de las pestañas de los elementos térmicos. Aflojar los seis tornillos, a continuación la unidad del elemento calentador incluyendo la brida pueden tirarse hacia fuera. Prestar atención a la posición de la brida. El elemento calentador está fijo en la brida con tuercas. Desatornillar el elemento calentador de la brida de montaje. Montar el nuevo elemento calentador con nuevos aros de estanqueidad y una nueva junta de goma grande en la misma posición que antes.

7. Intercambiador de calor doble, Basic 40 y 75 litros.

Los calentadores de agua con intercambiador de calor doble también tienen las conexiones para el segundo intercambiador ubicadas en el frente, junto a las conexiones del intercambiador de calor estándar.

Véase la fig. 4

El cambio del elemento calentador se realiza de la misma manera que se describió anteriormente.

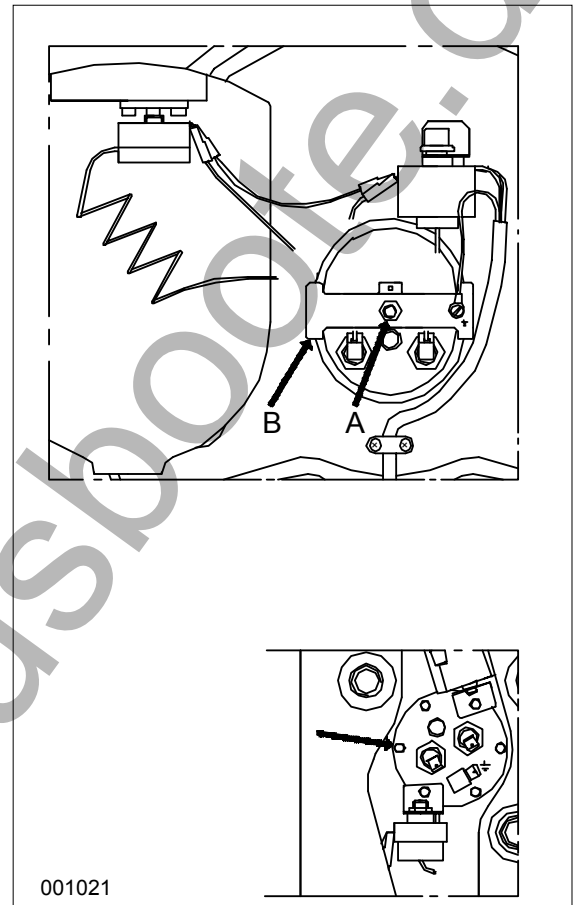


Fig. 11

8. Especificaciones técnicas

8.1 Basic

Tipo	Volumen en litros	Peso en kg	Elemento calentador	Opciones de elementos calentadores	Válvula mezcladora de termostato
602431B000000	24	14	230V-750W	115V-750W	-
602431B000003	24	14	230V-750W	115V-750W	X
603031B000000	30	17	230V-750W	115V-750W	-
603031B000003	30	17	230V-750W	115V-750W	X
604031B000000	40	20	230V-750W	115V-750W 230V-1200W	-
604031B000003	40	20	230V-750W	115V-750W 230V-1200W	X
604031BD00000 (Dos serpentines)	40	22	230V-750W	115V-750W 230V-1200W	-
604031BD00003 (Dos serpentines)	40	22	230V-750W	115V-750W 230V-1200W	X
605031B000000	50	23	230V-750W	115V-750W 230V-1200W 230V-2000W	-
605031B000003	50	23	230V-750W	115V-750W 230V-1200W 230V-2000W	X
607531B000000	75	29	230V-750W	115V-750W 230V-1200W 230V-2000W 230V-3000W	-
607531B000003	75	29	230V-750W	115V-750W 230V-1200W 230V-2000W 230V-3000W	X
607531BD00000 (Dos serpentines)	75	31	230V-750W	115V-750W 230V-1200W 230V-2000W 230V-3000W	-
607531BD00003 (Dos serpentines)	75	31	230V-750W	115V-750W 230V-1200W 230V-2000W 230V-3000W	X

Dimensiones:

Véase la fig. 12

Material:

Serpentín del intercambiador de calor, tanque de almacenamiento y conexiones: acero inoxidable AISI 316

Cubierta exterior y soportes de montaje: Acero inoxidable AISI 304

Elemento calentador:

Cobre niquelado

Aislamiento:

Poliuretano

Válvula de seguridad:

7 bar

Dimensiones Basic

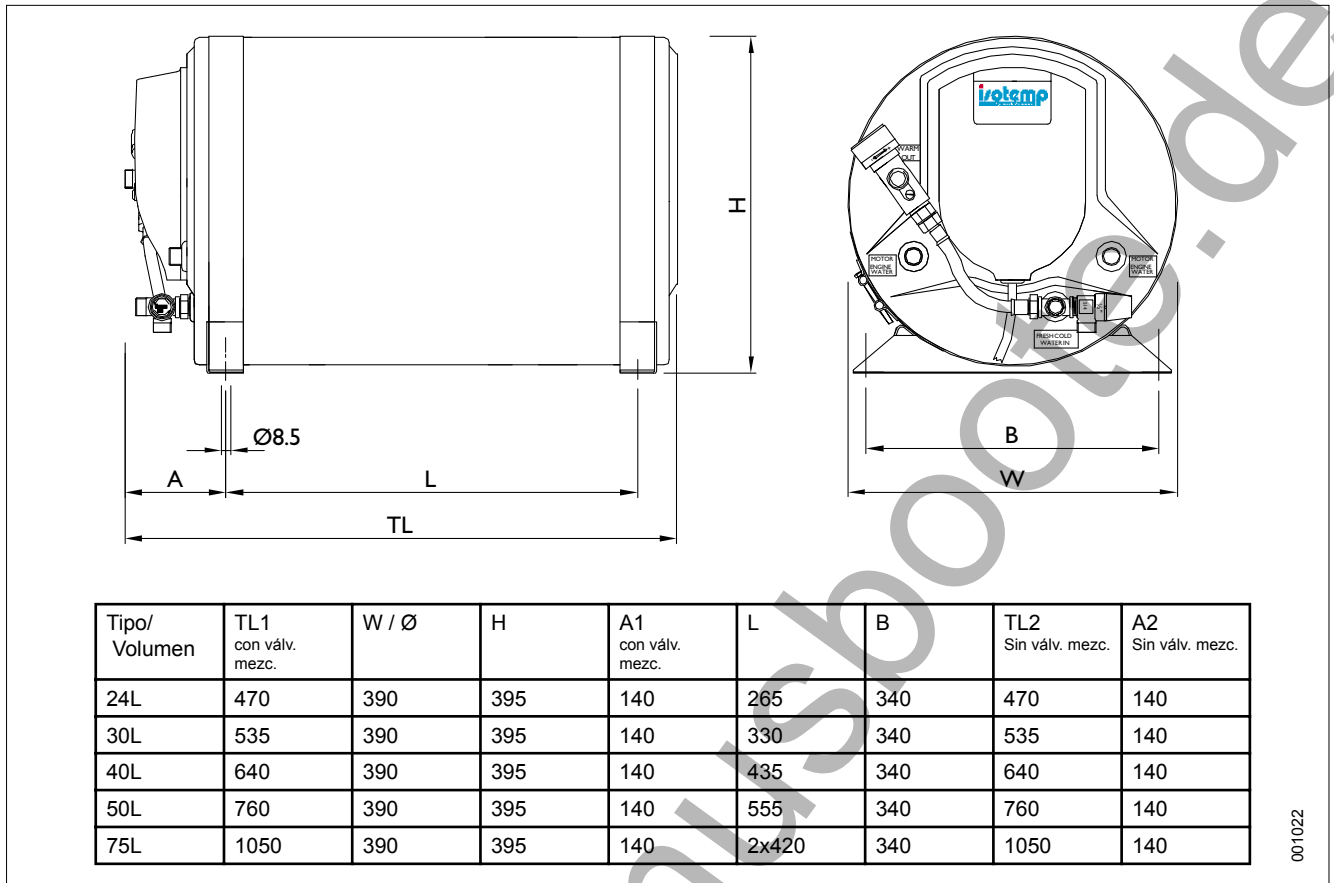


Fig. 12

8.2 Slim/B

Tipo	Volumen en litros	Peso en kg	Elemento calentador	Opciones de elementos calentadores	Válvula mezcladora de termostato
601531S000000	15	10.5	230V-750W	115V-750W	-
601531S000003	15	10.5	230V-750W	115V-750W	X
602031S000000	20	12	230V-750W	115V-750W	-
602031S000003	20	12	230V-750W	115V-750W	X
602531S000000	25	13.5	230V-750W	115V-750W	
602531S000003	25	13.5	230V-750W	115V-750W	X

Dimensiones:

Véase la fig. 13

Material:

Serpentín del intercambiador de calor, tanque de almacenamiento y conexiones: acero inoxidable AISI 316

Cubierta exterior y soportes de montaje: Acero inoxidable AISI 304

Elemento calentador:

Cobre niquelado

Aislamiento:

Poliuretano

Válvula de seguridad:

7 bar

Dimensiones Slim/B

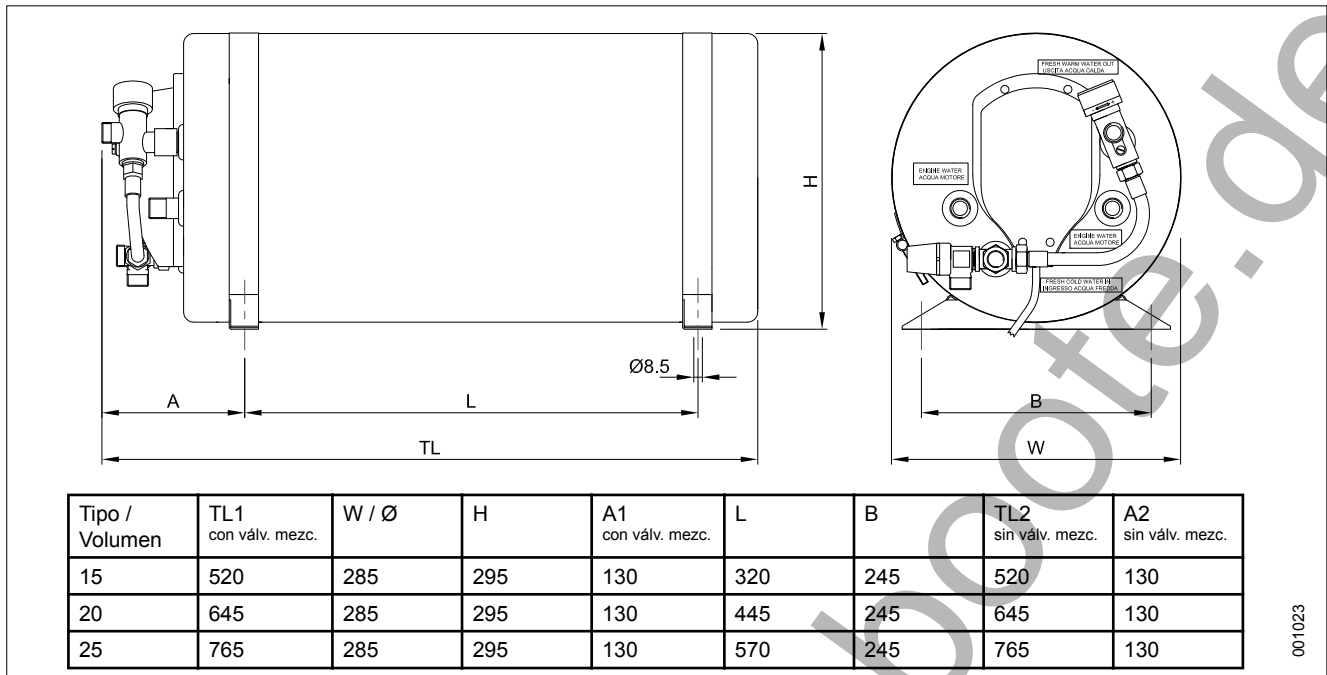


Fig. 13

8.3 Slim Square

Tipo	Volumen en litros.	Peso en kg	Elemento calentador	Opciones de elementos calentadores	Válvula mezcladora de termostato
601631Q000000	16	16	230V-750W	115V-750W	-
601631Q000003	16	16	230V-750W	115V-750W	X

Dimensiones:

Véase la fig. 14

Material:

Serpentín del intercambiador de calor, tanque de almacenamiento y conexiones: acero inoxidable AISI 316

carcasa exterior y soportes de montaje: Acero inoxidable AISI 304. Laterales exteriores de plástico.

Elemento calentador: Cobre niquelado

Aislamiento: Poliuretano

Válvula de seguridad: 5,5 bar

Dimensiones Slim Square

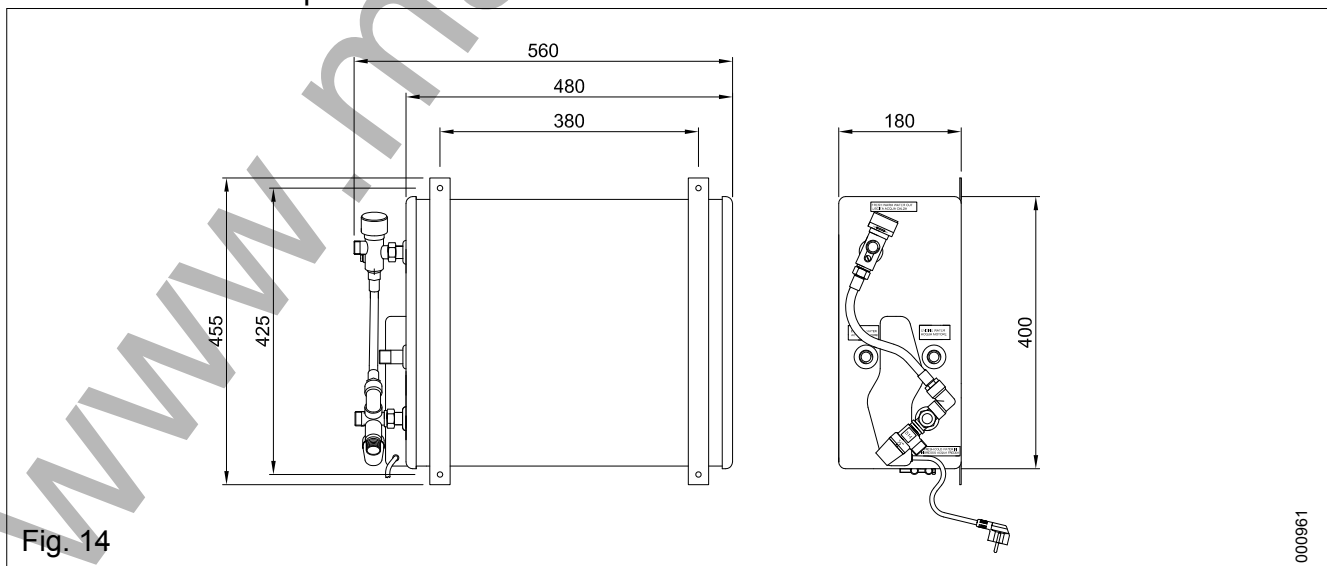


Fig. 14

Inhoudsopgave

1. Veiligheidsvoorschriften
2. Plaatsing reservoir
3. Montage
4. Aansluitingen
 - 4.1 Aansluitnippels
 - 4.2 Slangen
 - 4.3 Aansluiting op motor
 - 4.4 Tapwatersysteem
 - 4.5 Elektrische aansluiting
5. Inbedrijfstelling/testen
6. Onderhoud
 - 6.1 Wintervoorbereiding
 - 6.2 Thermostaat vervangen
 - 6.3 Verwarmingselement vervangen
7. Dubbele koelwatercircuits
8. Technische gegevens
 - 8.1 Basic
 - 8.2 Slim/B
 - 8.3 Slim Square

1 - Veiligheidsvoorschriften

Deze gebruiksaanwijzing geldt als richtsnoer voor een veilig gebruik van deze boiler. De gebruiksaanwijzing bevat informatie over gebruik en onderhoud. Neem de gebruiksaanwijzing zorgvuldig door, zodat u het product leert kennen en bewaar de gebruiksaanwijzing daarna op een geschikte plaats aan boord van het vaartuig.

Het is van belang dat de boiler op correcte wijze wordt gemonteerd en gebruikt. Gedurende de winterperiode wanneer de boiler niet wordt gebruikt, moet het leidingwater in de boiler worden afgetapt om bevriezing van het reservoir en kranen te voorkomen.

Alle boilers worden tijdens productie vóór aflevering getest en hebben twee jaar fabrieksgarantie voor onjuistheden wat betreft materiaal en/of fabricage.

Indel Marine S.r.l. kan niet aansprakelijk worden gesteld voor schade aan het product of voor persoonlijk letsel tijdens installatie of door onjuist gebruik.



Gevaarlijk!

Alle 230 V elektrische werkzaamheden aan boord van het vaartuig dienen te worden verricht door hiertoe bevoegd personeel.

De boiler moet op een beschermend massapunt te worden aangesloten.



Gevaarlijk!

Gebruik altijd correct gedimensioneerde kabels, veiligheidsuitrusting en aardlekschakelaars.



Waarschuwing!

Sluit het verwarmingselement van de boiler niet op het stroomnet aan voordat de boiler met water is gevuld.



Waarschuwing!

Het water in de boiler wordt net zo warm als de motor, denk aan het risico voor verbranding.

Opgelet!

Hoofdstuk 4.5 over corrosiegevaar in verband met aansluiting op landstroom moet zorgvuldig worden bestudeerd.

Opgelet!


Volg de aanbevelingen van de fabrikant wat betreft de aansluiting van de boiler op het motorkoelsysteem.

Milieu:

Dit product is gemerkt volgens EU richtlijn 2002/96/EEC aangaande elektrisch en elektronisch afval / Waste Electrical and Electronic Equipment, (WEEE).

Door een correcte verscroting van dit product te waarborgen, worden potentiële negatieve gevolgen voor het milieu en onze gezondheid voorkomen, welke anders het gevolg zouden kunnen zijn in het product niet op de juiste manier wordt gehanteerd.



Het symbool  op het product, of in de bijgevoegde documentatie, geeft aan dat dit product niet als gewoon huisvuil mag worden behandeld. Het moet voor recycling van elektrische en elektronische uitrusting bij een geschikt milieustation worden ingeleverd. Het product moet worden verscroot volgens de plaatselijke milieubepalingen voor afvalverwerking.

Voor meer informatie over verwerking, recycling en hergebruik van dit product dient u contact op te nemen met de plaatselijke overheid, de gemeentelijke afvalcentrale of het bedrijf waar u het product heeft gekocht.

2. Plaatsing van de boiler

Deze boiler kan op elke willekeurige plaats in het vaartuig worden gemonteerd onder voorwaarde dat het koelwatercircuit niet boven het niveau van het expansievat van het motorkoelsysteem belandt. (Fig. 1). Het wordt aanbevolen om de slangen tussen motor en boiler zo kort mogelijk te houden met het oog op het warmteverlies en voor een zo gering mogelijk doorstroomweerstand.

De warmtewisselaar van de boiler kan parallel, of in serie op het koelwatersysteem van de motor worden aangesloten.

Aansluitschema

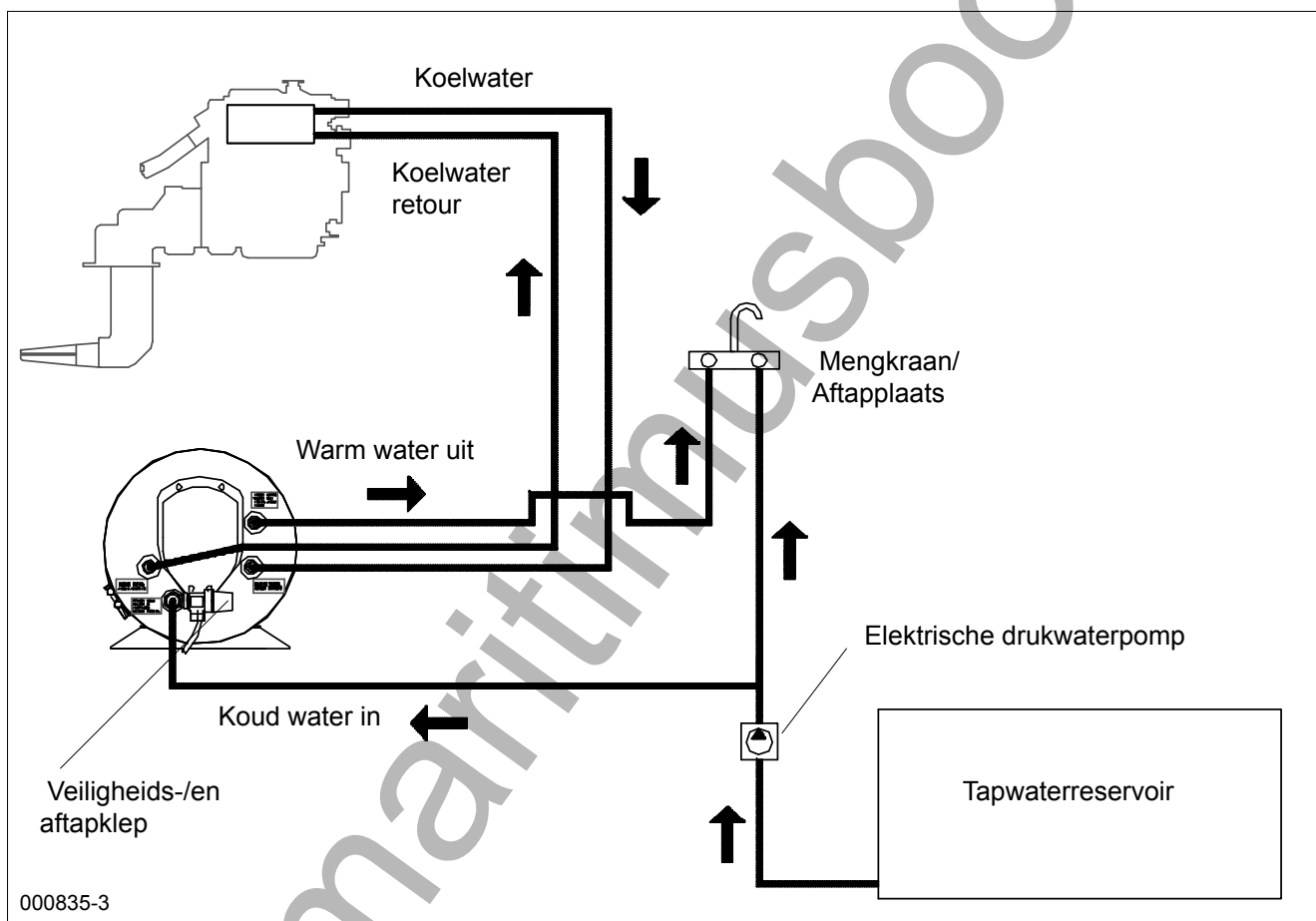


Fig. 1

3. Montage

Isotemp Basic, Slim & Slim Square zijn zodanig ontworpen dat ze horizontaal of verticaal op stevige bevestigingsvoeten kunnen worden gemonteerd. Ze dienen altijd zodanig te worden gemonteerd dat ze naar beneden zijn gericht zodat de inhoud van de boiler kan worden afgetapt. Bij de Basic en de Slim kunnen de voetjes rond de boiler worden gedraaid, zodat ze ook op een wand kunnen worden gemonteerd. De boiler moet altijd zodanig worden gemonteerd dat de veiligheidsklep met aftapfunctie altijd als laagste punt op de boiler zit.

Houd er rekening mee dat het gewicht van de

De keus wordt bepaald door de manier waarop de fabrikant van de motor aangeeft dat de boiler moet worden aangesloten.

Raadpleeg de motorfabrikant of een vertegenwoordiger ervan voor aanbevelingen aangaande montage en aansluiting van koelwaterslangen naar motor en boiler. Indien de boiler om de één of andere reden hoger dan het expansievat van de motor moet worden geplaatst, moeten de koelwaterslangen van de motor worden uitgerust met een ontluchtingsnippel op het hoogste punt, zodat het systeem op effectieve wijzen kan worden ontluicht. Deze uitrusting is verkrijgbaar als accessoire.

boiler toeneemt wanneer deze met water wordt gevuld.

Monteer de tapwaterboiler zodanig dat er vóór of onder de boiler voldoende plaats is voor servicewerkzaamheden zoals het vervangen van het elektrische verwarmingselement, thermostaten etc. Zie fig. 2.

De Slim Square kan rechtop staan, liggen of in alle mogelijke standen worden gedraaid, zoals wordt getoond in fig. 7.

Fig. 3 toont de wateraansluitingen van de Basic, fig. 4 de Basic met dubbele circuits, fig. 5 de Slim en fig. 6 de Slim Square.

Minimaal 30 cm vrije ruimte vóór/onder de boiler is gewenst ter vereenvoudiging van service en onderhoud.

Isotemp Basic & Slim

Montagealternatief, horizontaal of verticaal.

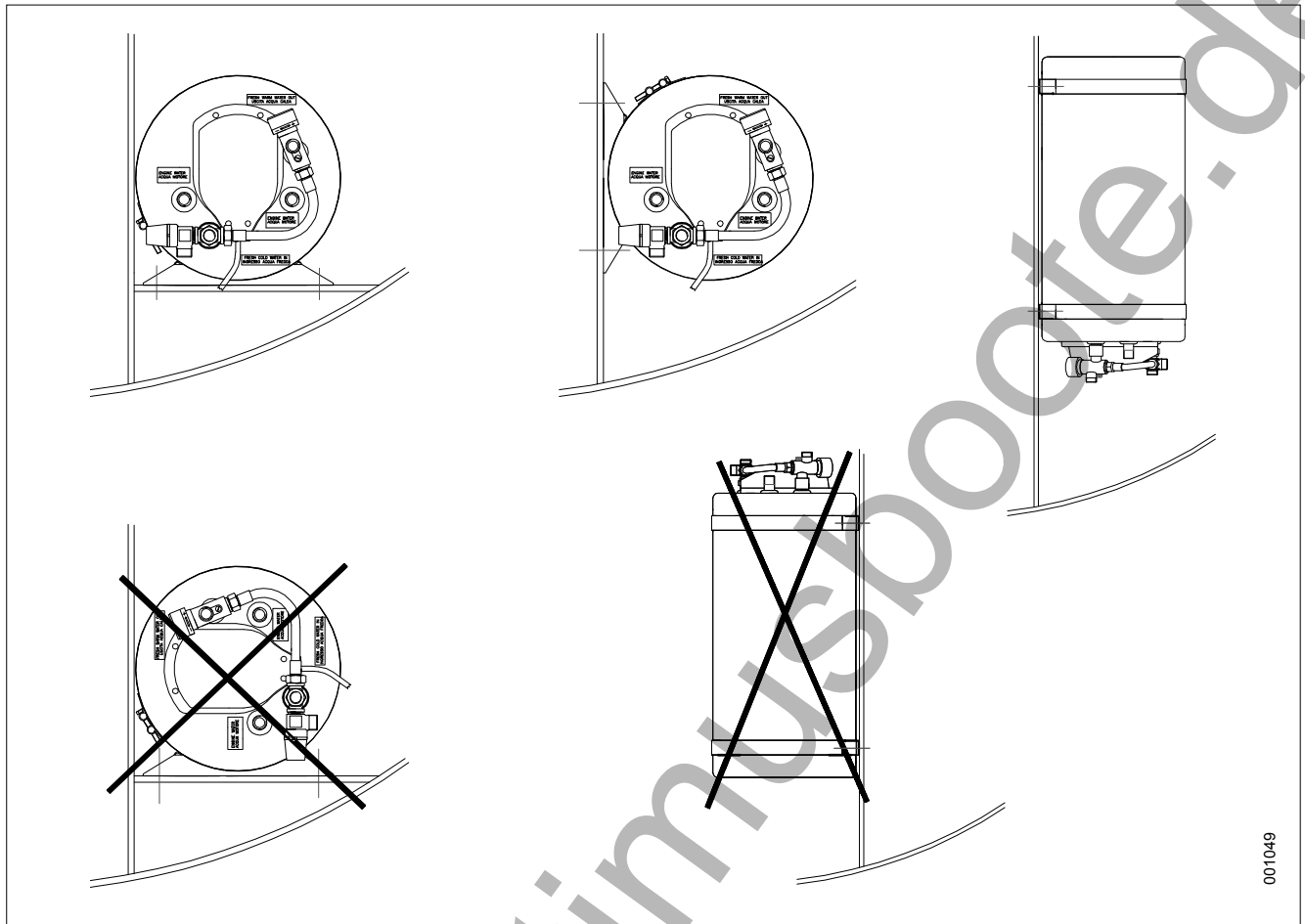


Fig. 2

Isotemp Basic met en zonder thermostaatkraan

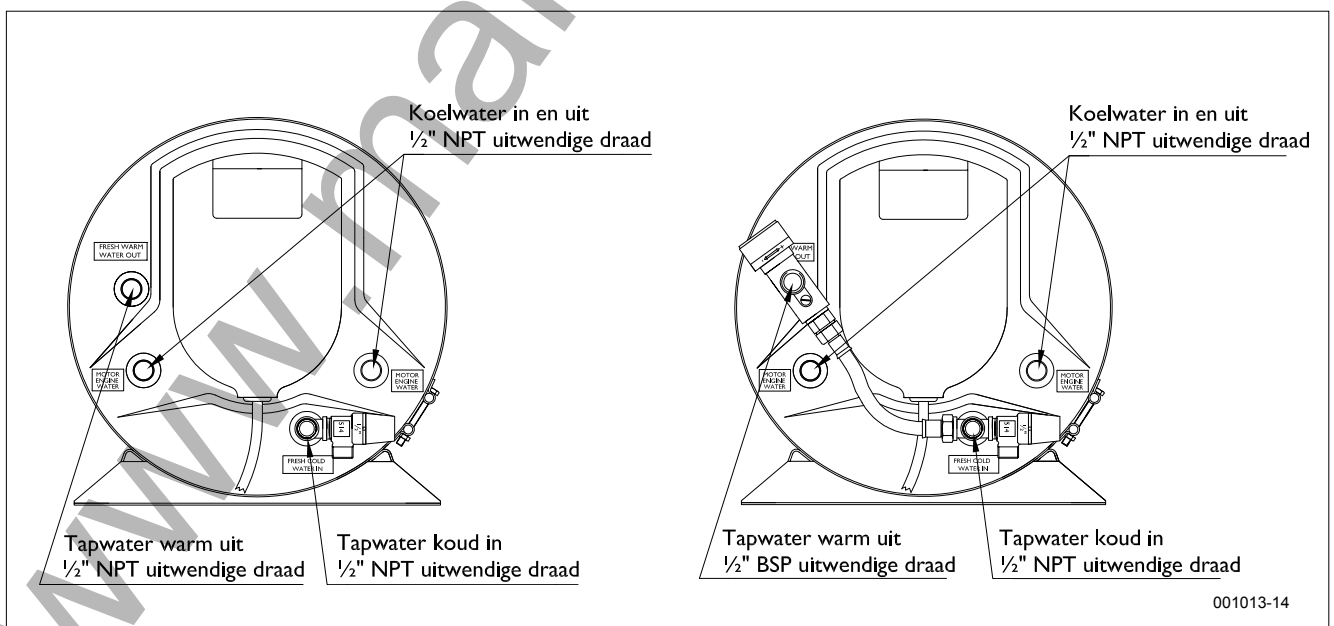


Fig. 3

Isotemp Basic met dubbele koelwatercircuits, zonder en met mengthermostaat

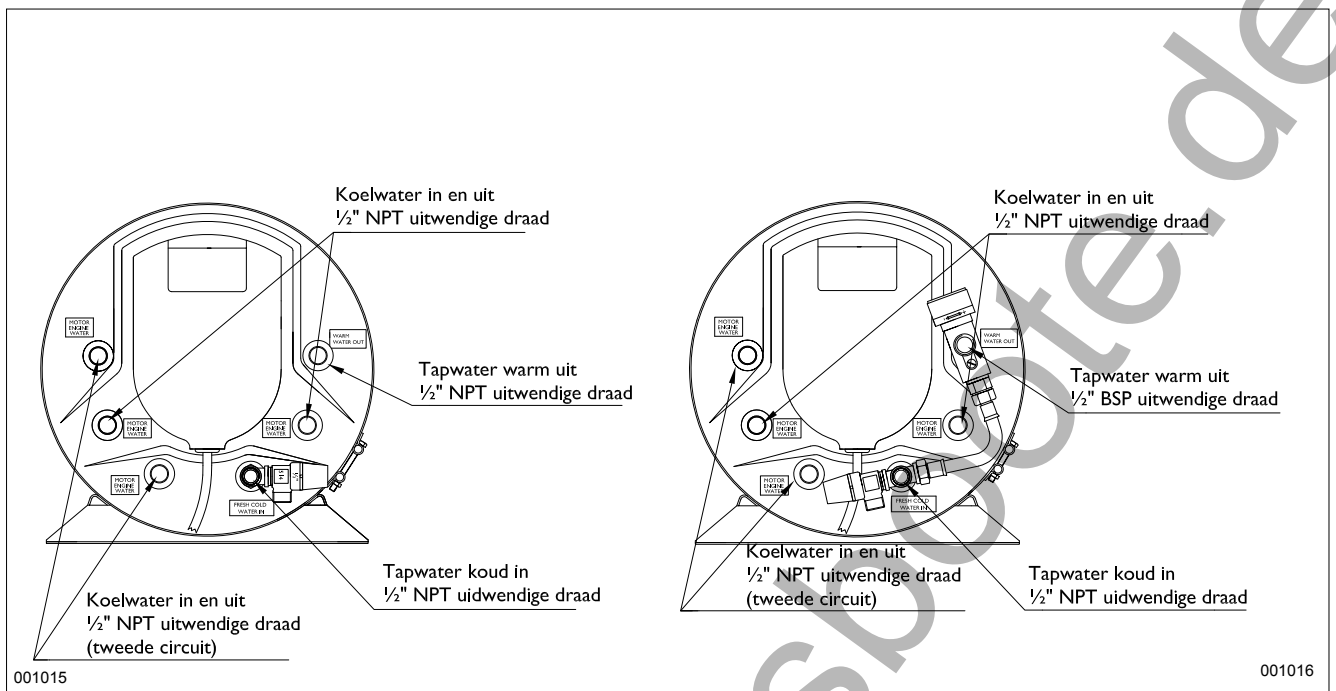


Fig. 4

Isotemp Slim zonder en met mengthermostaat

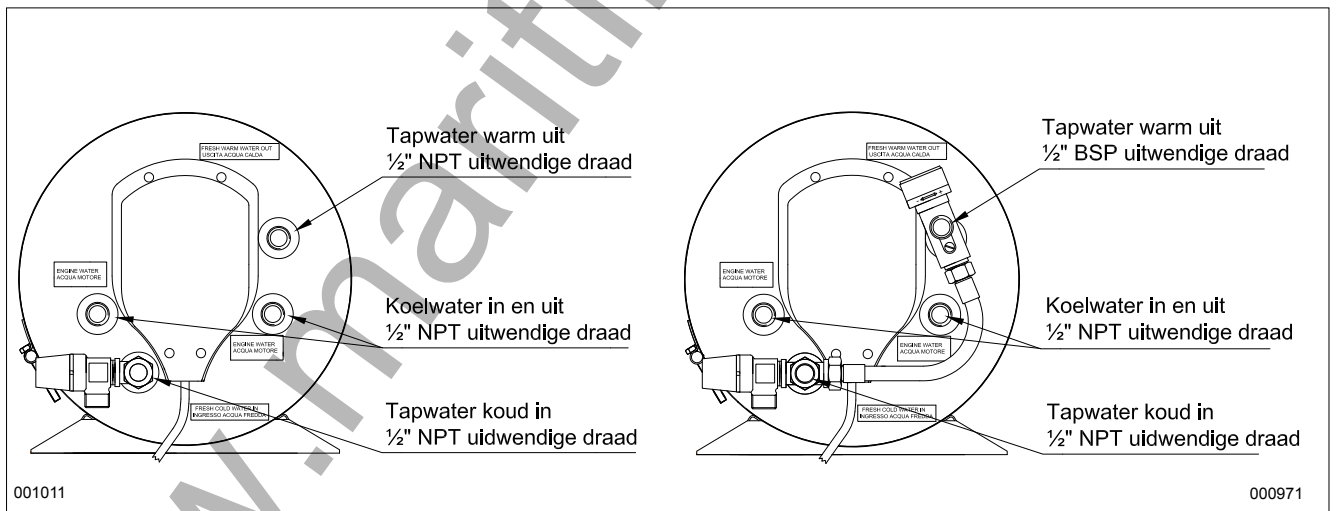


Fig. 5

Opmerking:
Slangnippels met parallelle G15 draad (1/2" BSP) passen ook op uitwendige 1/2" NPT konische draad.

Slim Square zonder en met mengthermostaat

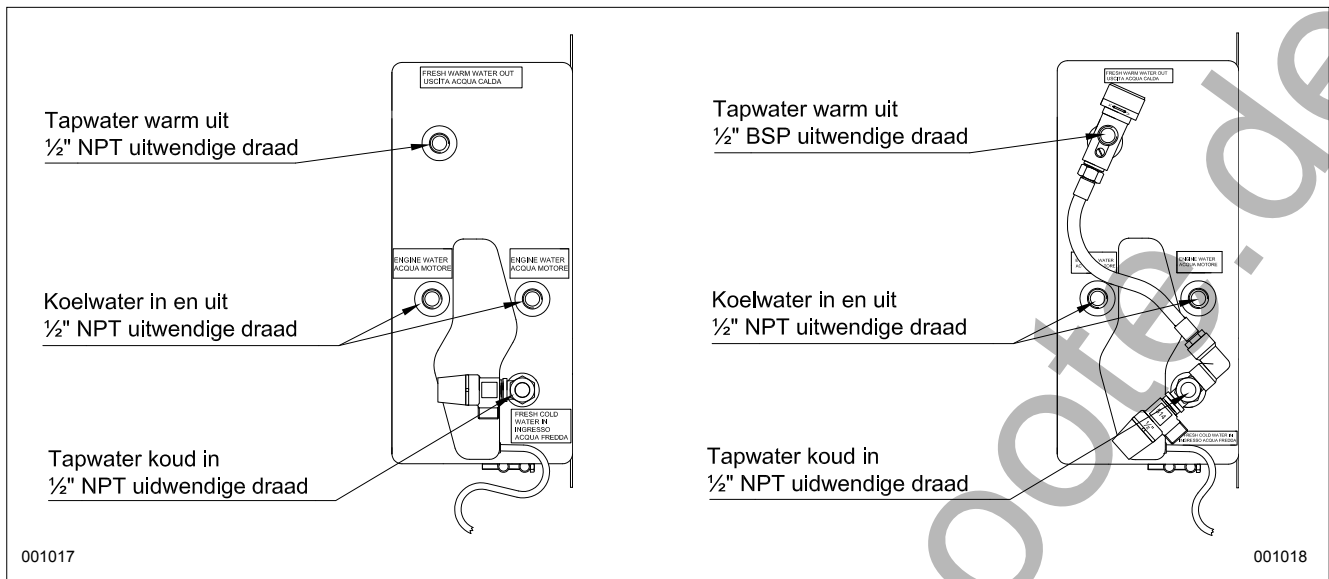


Fig. 6

Slim Square

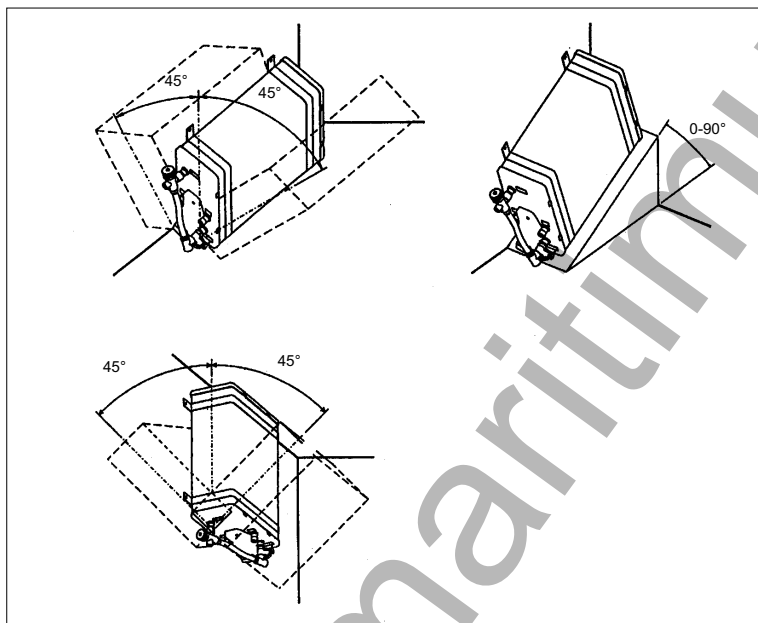


Fig. 7

Slim Square alternatieve montageposities.

Niet vergeten! De veiligheidsklep met de aftapfunctie dient altijd als laagste punt op de boiler te zitten.

4. Wataansluitingen

4.1 Materiaal: Gebruik alleen aansluitnippels, pijpbochten etc. van roestbestendig materiaal zoals messing of roestvrij staal. Een set met aansluitingen is verkrijgbaar als accessoire. Ter bevordering van de trekvastheid mogen geen kunststof aansluitnippels worden gebruikt. Een plotselinge lekkage veroorzaakt ontoereikende koeling van de motor, of naar buiten spuitend heet water.

4.2 Slangen Gebruik voor de koelwaterslangen alleen hittebestendige (100°C) weefselversterkte rubberen slangen, bestendig tegen koelvloeistof en bestand tegen een druk van 5 bar.

Wat betreft de tapwataansluitingen moeten er ook hier slangen worden gebruikt die bestand zijn tegen warmte, een druk van 8 bar en die geen smaak afgeven (geschikt voor voedingsmiddelen). Dit geldt ook voor de aansluiting van koud water in. Alle slangen moeten zorgvuldig met slangklemmen worden vastgezet. Aansluitingen met in- en uitwendige spoed moeten worden afdicht met afdichtmiddel type Loctite 577, Bondline T 777 of een gelijkwaardig product. Slangnippels met draad G15 (1/2" BSP) passen op de draadaansluitingen van de boiler.

4.3 Motoraansluitingen (zie schema, fig. 1):

De boilers zijn bedoeld voor aansluiting op met tapwatergekoelde motoren.

Volg de gegevens van de motorfabrikant voor geschikte uitgangen op het koelsysteem van de motor waarop de aansluitnippels moeten worden aangesloten. Deze uitgangen dienen een zodanig drukverschil te hebben, dat een goede watercirculatie (minimaal 2 l/min) naar de boiler wordt gerealiseerd. Indien de boot is uitgerust met twee motoren, dan moet de boiler op één van de motoren worden aangesloten. Indien er twee boilers worden gemonteerd, dienen deze parallel te worden aangesloten. Om beperking van de doorstroming te voorkomen mag de afmeting van slangen, aansluitnippels en leidingen niet kleiner zijn dat de aansluitingen van de boiler (16 mm / 5/8").

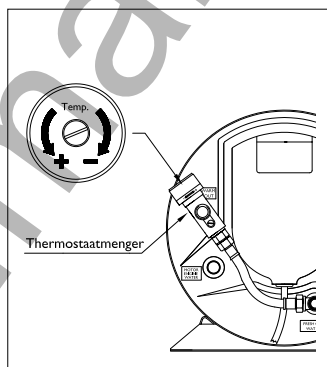
Voor aansluiting op kleine dieselmotoren van 10-15 pk kan het echter nodig zijn om de doorstroming door de boiler te beperken om de koelcapaciteit van de motor te handhaven.

4.4 Aansluiting op tapwater (zie schema, fig. 1):

De boiler is bedoeld om zodanig te worden aangesloten dat deze wordt voorzien van drinkwater via een elektrische drukwaterpomp vanaf het waterreservoir. Deze elektrische waterpomp mag een maximale druk van 3,8 bar leveren, 2,9 bar voor Slim Square, waarbij een dubbele membraanpomp een meer gelijkmatige toestroom en minder drukstoten geeft. Bij hogere druk zal de veiligheidsklep tijdens verwarming van het water reageren bij een druk van 7,0 bar c.q. 5,5 bar. De afvoer voor het warme water (ook het punt waar de boiler wordt ontlucht) dient op de mengkranen van de resp. gootsteen/wasbak te worden aangesloten, zodat koud water wordt toegevoegd om de gewenste temperatuur te krijgen.

Waarschuwing! Vergeet niet dat het warme water de motortemperatuur heeft, gevaar voor brandwonden.

Zet de thermostaatsmenger van de boiler (indien geïnstalleerd) op de gewenste temperatuur in, tussen 38 en 65°C. Indien er op de uitvoeropening van de veiligheidsklep, G $\frac{1}{2}$ ", een slang met slangnippel wordt bevestigd, dient ook deze hittebestendig te zijn en te worden vastgezet met behulp van slangklemmen.



Deze slang dient altijd een vrije uitloop te hebben en mag niet op een kraan en wanddoorvoer worden aangesloten.

Wanneer het water wordt verwarmd zal het uitzetten, de druk neemt toe en een geringe hoeveelheid water kan door de uitvoeropening van de veiligheidsklep naar buiten komen. Dit is normaal.

4.5 Elektrische aansluiting

Zie schema fig. 8

De aansluiting op het verwarmingselement van de boiler is voorbereid en voorzien van een snoer met stekker. Het snoer is kort om aan te geven dat er in de directe nabijheid van de boiler een stopcontact nodig is. Het stopcontact moet met dubbele zekering op de landstroom zijn aangesloten en aan boord moet een aardlekschakelaar zijn geïnstalleerd. Deze eenheden evenals de overige vaste elektrische installatie van de boot die bedoeld is voor aansluiting op het stroomnet, moeten zijn uitgevoerd volgens de geldende voorschriften.

Deze tapwaterboiler en het elektrische gedeelte ervan zijn zodanig uitgevoerd dat ze voldoen aan de geldende EU-eisen voor dergelijke apparaten.

Opgelet! Wanneer de boot gedurende lange tijd niet wordt gebruikt, moet de stekker uit het stopcontact worden getrokken, zodat ook de massa wordt verbroken. Dit moet ook worden gedaan wanneer de landstroom is uitgeschakeld (binnen sommige gebieden kan er in het elektrische systeem van een boot een potentiaalverschil ontstaan tussen de massadraad en het water rondom de boot = massa van de boot. Op lange termijn kan dit beschadiging aan het verwarmingselement, de boiler en andere metalen onderdelen aan boord veroorzaken).

De installatie van een isolatietransformator elimineert de kans op galvanische corrosie in geval van een landstroomaansluiting.

Voordat de beschermkap van het elektrische verwarmingselement en de thermostaten wordt verwijderd moet eerst de stekker van het verwarmingselement uit het stopcontact worden getrokken, of moet de landstroomaansluiting helemaal worden verbroken. Het elektrische circuit heeft een bedrijfsteromstaat op 57°C en een oververhittingbeveiliging op 96°C. Indien de oververhittingbeveiliging in werking is getreden moet deze worden gereset door op de resetknop te drukken. Zie hoofdstuk 6:2 - Fig. 10.

Elektrische schema

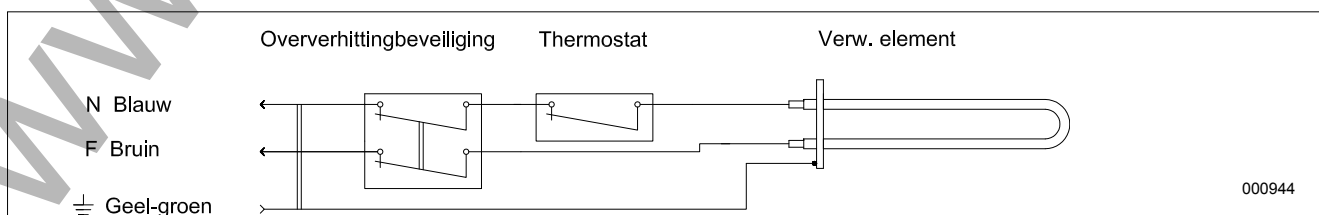


Fig. 8

5. Inbedrijfstelling/testen

Bijvullen met tapwater door de drukwaterpomp te starten en de warmwaterkraan open te laten staan, zodat lucht en daarna water naar buiten kan stromen. Controleer of het systeem goed afdicht en dat zich geen lekkage voordoet. Zet de stekker pas in het stopcontact nadat de boiler helemaal met water is gevuld. Overtollig water vanaf de veiligheidsklep moet altijd vrije uitloop hebben.

Start de motor van de boot en controleer of het koelwatersysteem op gang komt via het motorkoelcircuit van de boiler.

6. Onderhoud

6:1 Aftappen voor de winter: Wanneer de kans op bevriezing bestaat, dan moet het tapwater worden afgetapt.

Maak de warmwaterslang van de boiler los of open de ontluchtingsschroef (M5 kruiskop) op de mengklep. Verwijder de schroef helemaal om te waarborgen dat er lucht in de boiler kan komen. Open de aftapfunctie van de veiligheidsklep door de zwarte knop op de klep één klik linksom te draaien. Nu al er water uit de aftapopening van de veiligheidsklep lopen.

Indien het koelwatersysteem van de boot niet is voorzien van een vorstbeschermingsmiddel, dan moeten ook het koelwatersysteem van de boot, de slangen en het leidingcircuit van de boiler worden afgetapt. De boiler kan nu tijdens de winter gewoon in de boot blijven zitten.

Trek de stekker uit het stopcontact zodat de boiler niet per ongeluk droog kookt wanneer de boot op het stroomnet wordt aangesloten.

6:2 Thermostaat vervangen/resetten:

Waarschuwing! Verbreek de stroomtoevoer, haal eerst de stekker uit het stopcontact!

Het verwarmingselement heeft een standaard vermogen van 750 W. Indien een element met een hoger vermogen wordt gebruikt, bestaat de kans dat veel landstroominstallaties worden overbelast. De boiler is uitgerust met zowel bedrijfs- als oververhittingthermostaten, die de stroomtoevoer verbreken bij 75°C c.q. 96°C. Indien de oververhittingbeveiliging in werking is getreden moet deze worden gereset door op de resetknop te drukken. Zie fig. 10.

Controleer ook waarom de oververhittingbeveiliging in werking is getreden; werkt de bedrijfstermostaat? Geen water in de boiler?

Thermostaten vervangen: Verwijder de kunststof beschermingskap. Maak de kabelschoentjes van de thermostaat die moet worden vervangen los, noteer eerst de posities van de bedrading.

De voelementen van de thermostaat zijn in een dompelbuis in het midden van de boiler gestoken, trek ze los. Maak de bevestigingsbout van de thermosta(a)t(en) los en verwijder deze. Monteer een nieuwe thermostaat in omgekeerde volgorde. Duw de voelementen zover mogelijk in de dompelbuis.

OBS! Wanneer de boot gedurende langere tijd wordt achtergelaten moet de stekker van de boiler altijd uit het stopcontact worden getrokken, zodat ook de beschermingsmassa wordt verbroken, zelfs wanneer de landstroom van de boot is uitgezet. In bepaalde gebieden kan zich een potentiaalverschil in het elektrische systeem voordoen tussen landmassa en de massa het buitenwater=de boot, waardoor beschadigingen aan het verwarmingselement, de boiler, de motor en/of de propeller en de aandrijving kunnen ontstaan.

Indien de slangen zodanig zijn gemonteerd dat er lucht in het systeem kan ontstaan, kan het noodzakelijk zijn om ze te ontluchten door de slangen omhoog en omlaag te bewegen. Zie erop toe dat de slangen goed zijn vastgezet. Indien nodig moet het koelvloeistofpeil worden aangepast voor het volume van het koelwatercircuit van de boiler.

Zet de stekker van het verwarmingselement in het stopcontact, zet de hoofdschakelaar aan en controleer of het verwarmingselement het water verwarmt.

Controleer of alle slangaansluitingen goed afdichten.

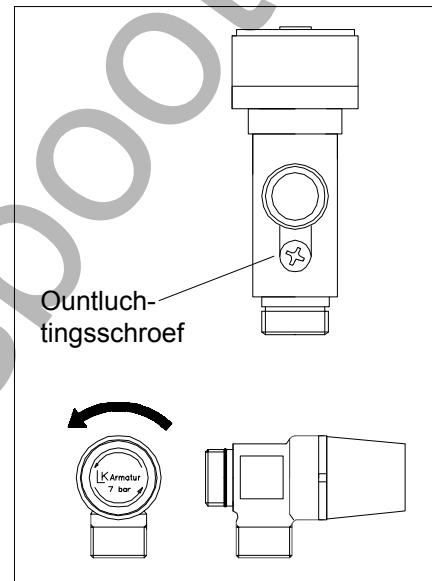


Fig. 9

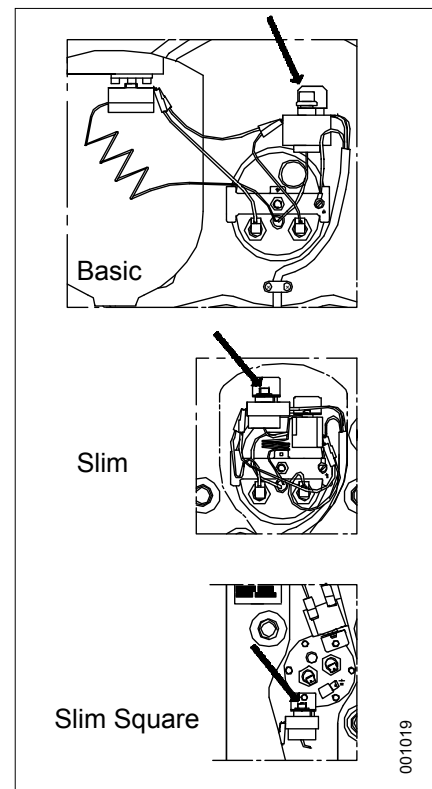


Fig. 10

6:3 Verwarmingselement vervangen:

Waarschuwing! Eerst de stroomtoevoer uitschakelen!

Trek de stekker uit het stopcontact. Tap al het water af.

Basic en Slim

Maak de kunststof kap los. Maak de thermostaat (Slim) en de oververhittingbeveiliging uit de houders los, zodat het verwarmingselement met montageplaat beter bereikbaar wordt. Maak de bedrading van het verwarmingselement los. Schroef de vergrendelbeugel, fig. 11B los. Het verwarmingselement met montageplaat kan eventueel in de boiler vallen. Zet de moer, fig. 11A, weer op de centrumbout vast, dan kan de eenheid beter worden vastgehouden.

Draai de montageplaat met het verwarmingselement in het reservoir 90° linksom, zodat de bedradingsteun rechts zit, draai de hele eenheid daarna zodanig dat deze de wand binnenin de tank aan linkerzijde aanraakt, over de leidingen van het motorkoelwatercircuit. Haal de complete eenheid door de opening met de linkerzijde eerst. Dit gaat gemakkelijker wanneer eerst de rubberen pakking wordt verwijderd.

Maak het verwarmingselement van de montageplaat los (sleutel 19 mm), en monteer daarna het nieuwe element met nieuwe pasringen en rubberen pakkingen.

Monteer de hele eenheid in omgekeerde volgorde, maar bevestig eerst de grote rubberafdichting.

Na montage dient het verwarmingselement iets naar beneden in het reservoir te wijzen, parallel lopend met de dompelbuis.

Slim Square

Het verwarmingselement van de Slim Square zit vast in een ronde ring die met zes boutjes op een flens van de boiler is vastgezet. Zie fig. 11. Deze heeft een vlakke rubberen pakking. Noteer in welke stand de bevestigingsring met verwarmingselement is vastgezet.

Trek eerst de bedrading van het verwarmingselement los. Draai de zes boutjes os waarna het verwarmingselement met de ring kan worden losgetrokken.

Schroef het verwarmingselement van de ring los (sleutel 19 mm), en monteer daarna het nieuwe element met nieuwe steunringen en rubberen pakkingen. Monteer het element met de bevestigingsring met een nieuwe pakking in dezelfde positie als voorheen.

7. Basic 40 & 75 L met dubbele motorkoelwatercircuits

De aansluitingen voor de beide koelwatercircuits zijn te zien in fig. 4. Beide circuits hebben aansluitingen aan voorzijde van de boiler.

Het vervangen van het verwarmingselement moet worden uitgevoerd volgens bovenstaande beschrijving voor de Basic. Zie fig. 4.

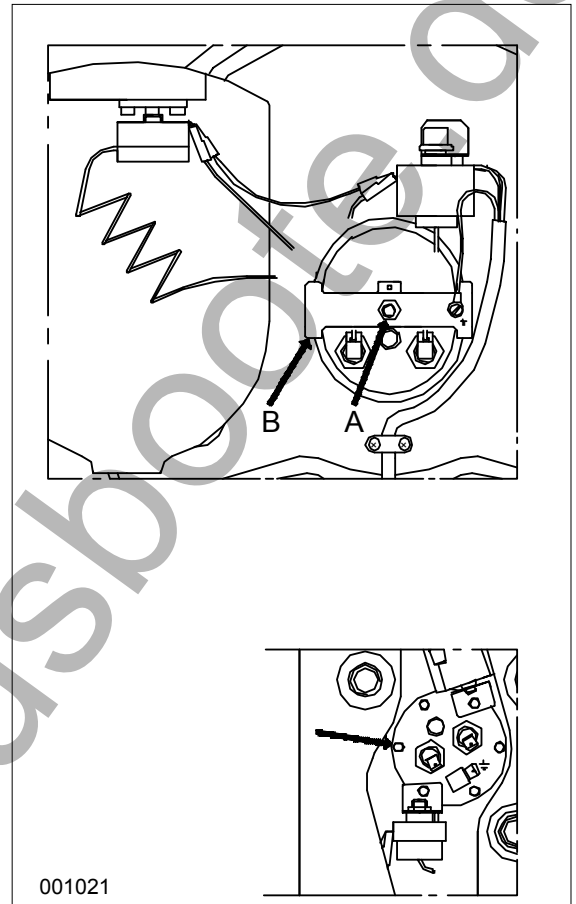


Fig. 11

8. Technische gegevens

8.1 Basic

Type	Volume liter	Gew. kg	Verw. element	Verw. element optie	Thermostaat-kraan
602431B000000	24	14	230V-750W	115V-750W	-
602431B000003	24	14	230V-750W	115V-750W	X
603031B000000	30	17	230V-750W	115V-750W	-
603031B000003	30	17	230V-750W	115V-750W	X
604031B000000	40	20	230V-750W	115V-750W 230V-1200W	-
604031B000003	40	20	230V-750W	115V-750W 230V-1200W	X
604031BD00000 (Dos serpentines)	40	22	230V-750W	115V-750W 230V-1200W	-
604031BD00003 (Dos serpentines)	40	22	230V-750W	115V-750W 230V-1200W	X
605031B000000	50	23	230V-750W	115V-750W 230V-1200W 230V-2000W	-
605031B000003	50	23	230V-750W	115V-750W 230V-1200W 230V-2000W	X
607531B000000	75	29	230V-750W	115V-750W 230V-1200W 230V-2000W 230V-3000W	-
607531B000003	75	29	230V-750W	115V-750W 230V-1200W 230V-2000W 230V-3000W	X
607531BD00000 (Dos serpentines)	75	31	230V-750W	115V-750W 230V-1200W 230V-2000W 230V-3000W	-
607531BD00003 (Dos serpentines)	75	31	230V-750W	115V-750W 230V-1200W 230V-2000W 230V-3000W	X

Afmetingen:

Zie fig. 12

Materiaal:

Leidingen warmtewisselaar, binnenreservoir en aansluitingen: R.v.s. zuurvast staal
AISI 316/SIS2343

Buitenmantel en bevestigingsvoetjes: R.v.s. AISI 304/SIS2333

Verw.element

Met nikkel belegd koper

Isolatie:

Polyurethaan

Veiligheidsklep:

7 bar

Afmetingen Basic

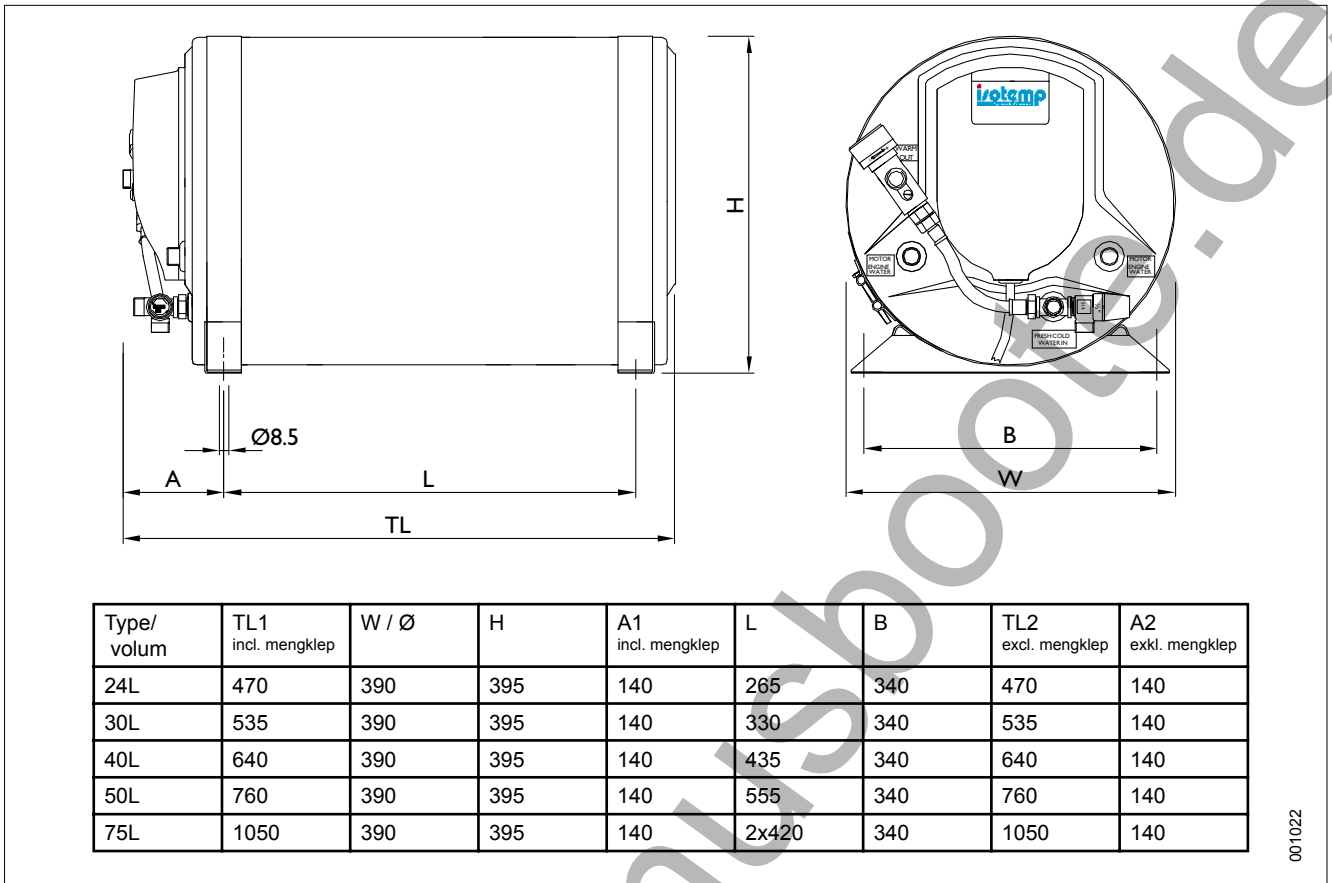


Fig. 12

8.2 Slim/B

Type	Volume liter	Gew. kg	Verw. element	Verw. element optie	Thermostaat-kraan
601531S000000	15	10.5	230V-750W	115V-750W	-
601531S000003	15	10.5	230V-750W	115V-750W	X
602031S000000	20	12	230V-750W	115V-750W	-
602031S000003	20	12	230V-750W	115V-750W	X
602531S000000	25	13.5	230V-750W	115V-750W	-
602531S000003	25	13.5	230V-750W	115V-750W	X

Afmetingen:

Materiaal:

Verw.element

Isolatie:

Veiligheidsklep:

Zie fig. 13

Leidingen warmtewisselaar, binnenreservoir en aansluitingen: R.v.s. zuurvast staal AISI 316/SIS2343

Buitenmantel en bevestigingsvoetjes: R.v.s. AISI 304/SIS2333

Met nikkel belegd koper

Polyurethaan

7 bar

Afmetingen Slim/B

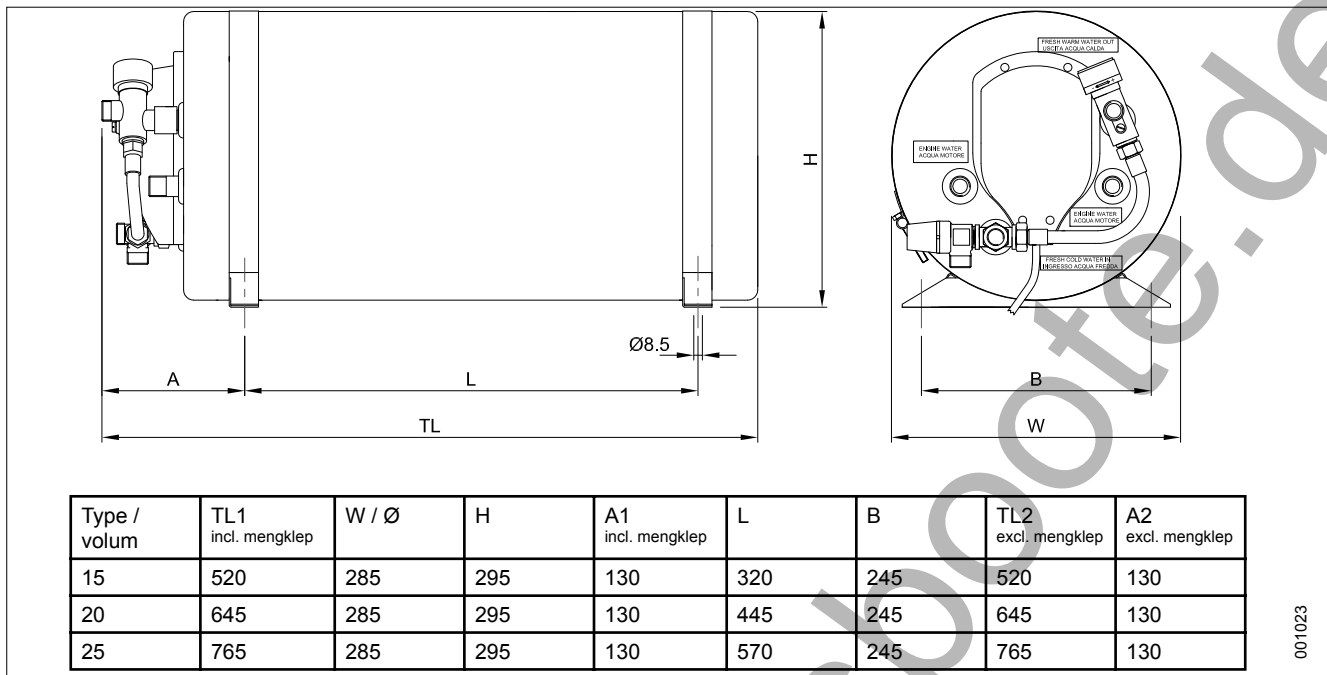


Fig. 13

8.3 Slim Square

Type	Volume liter	Gew. kg	Verw. element	Verw. element optie	Thermostaat- kraan
601631Q000000	16	16	230V-750W	115V-750W	-
601631Q000003	16	16	230V-750W	115V-750W	X

Afmetingen:

Zie fig. 14

Materiaal:

Leidingen warmtewisselaar, binnenreservoir en aansluitingen: R.v.s. zuurvast staal
AISI 316/SIS2343

Buitenmantel en bevestigingsvoetjes: R.v.s. AISI 304/SIS2333

Verw. element

Met nikkel belegd koper

Isolatie:

Polyurethaan

Veiligheidsklep:

5,5 bar

Afmetingen Slim Square

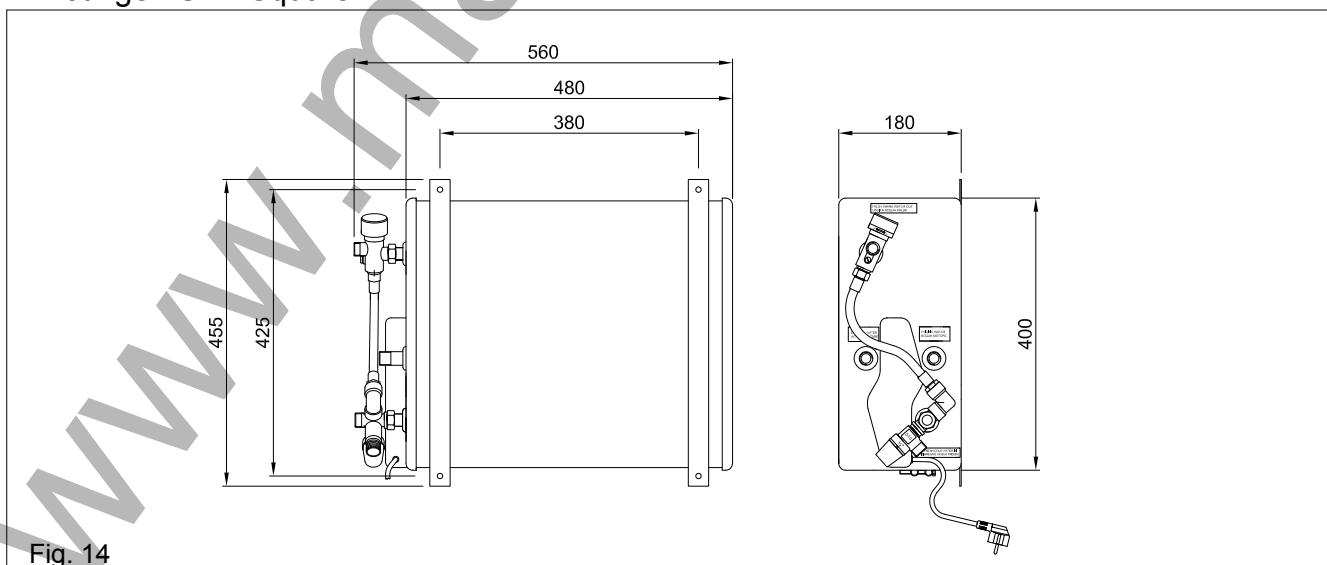


Fig. 14